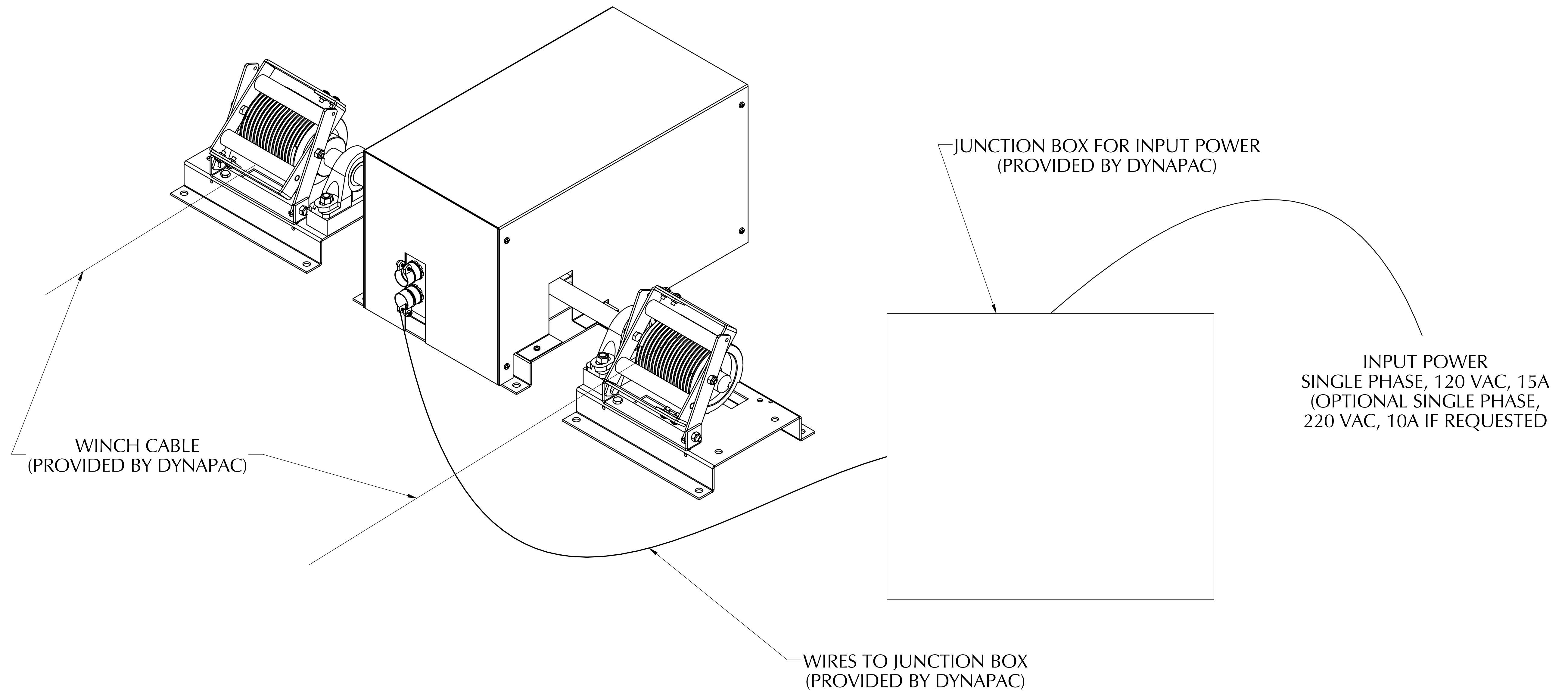


TV HOIST FIELD WIRING



400 LB LIFTING WINCH, TV-CENTER DRIVE STYLE			
UNLESS OTHERWISE SPECIFIED DIMENSIONS ARE IN INCHES	APPROVALS	DATE	DYNAPAC ROTATING CO. SALT LAKE CITY, UTAH
TOLERANCES:	Admin	01/01/2018	
FRACTIONAL ± 1/32	CHECKED		
ANGULAR ± 2°	ENGR APPR.		
DECIMAL .X ± .025 .XX ± .010 .XXX ± .010			
MATERIAL	APPLICATION	SIZE	DWG. NO.
FINISH	NEXT ASSY	SCALE: 1:3	REV
	FINAL ASSY		D 189008 TV X-10
			SHEET 4 OF 4

PROPRIETARY AND CONFIDENTIAL
THE INFORMATION CONTAINED IN THIS DRAWING IS THE SOLE PROPERTY OF DYNAPAC ROTATING CO., INC. ANY REPLICATION IN PART OR AS A WHOLE WITHOUT THE WRITTEN PERMISSION OF DYNAPAC ROTATING CO., INC. IS PROHIBITED.
© COPYRIGHT DYNAPAC ROTATING CO., INC. ALL RIGHTS RESERVED

