

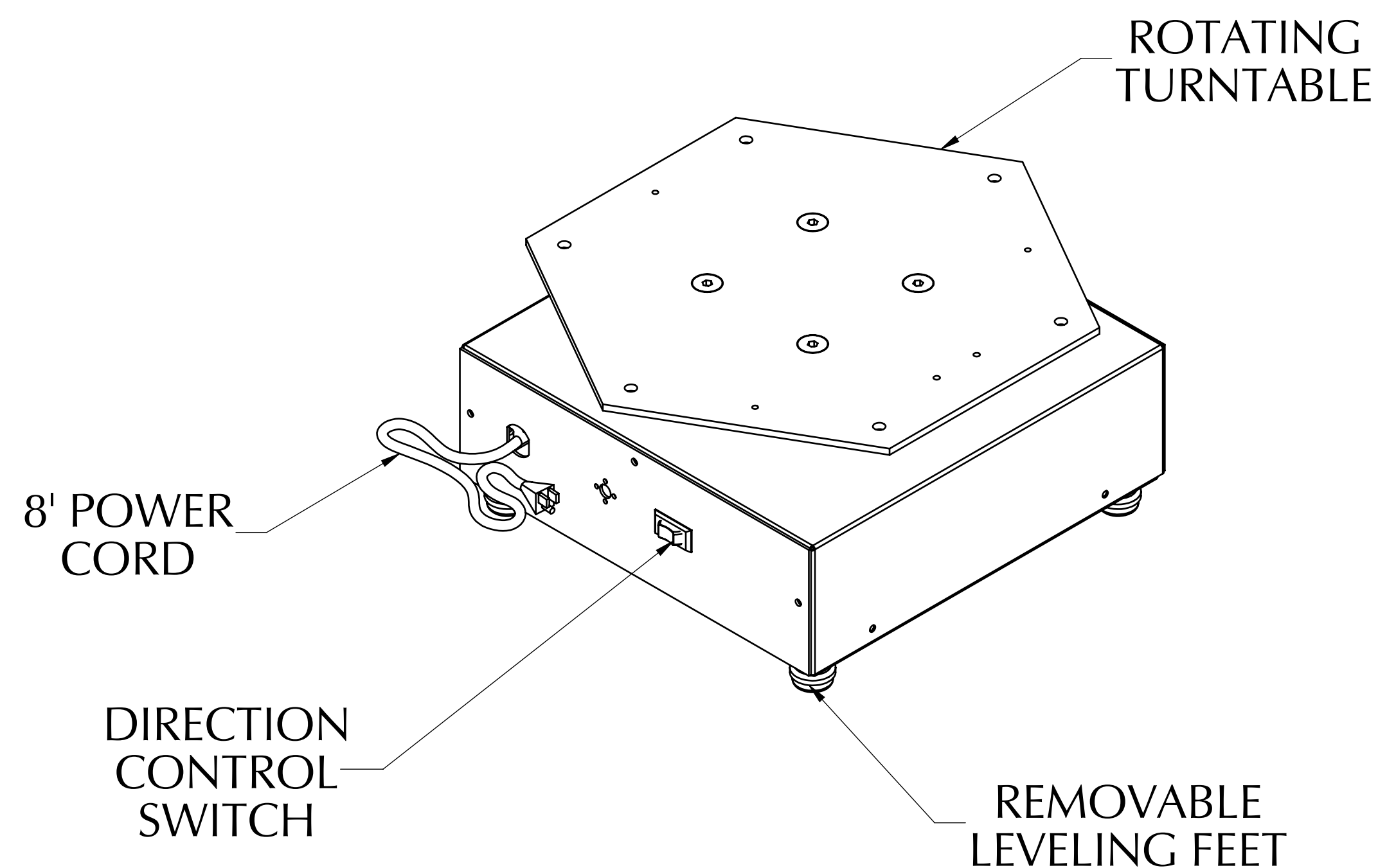
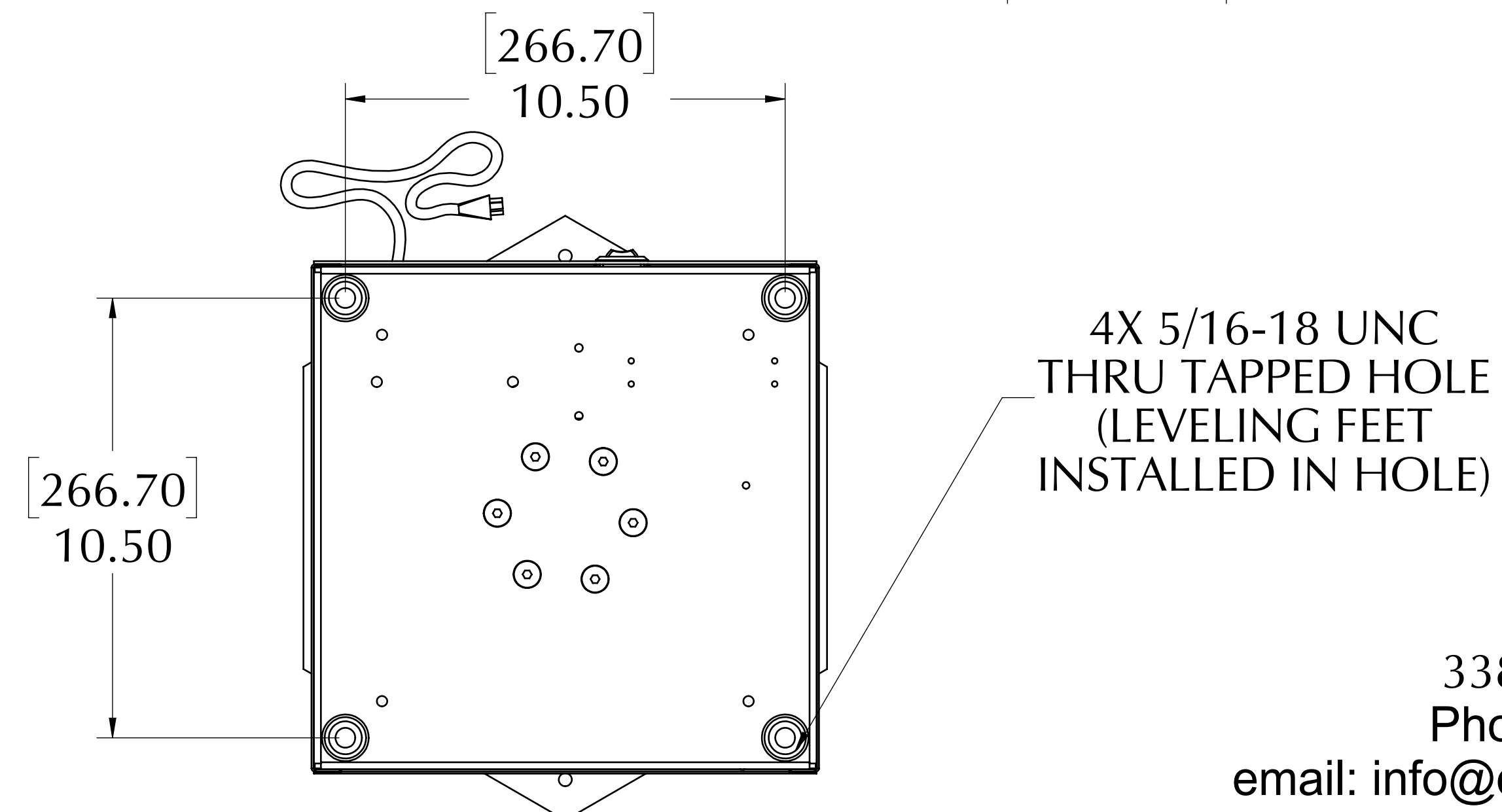
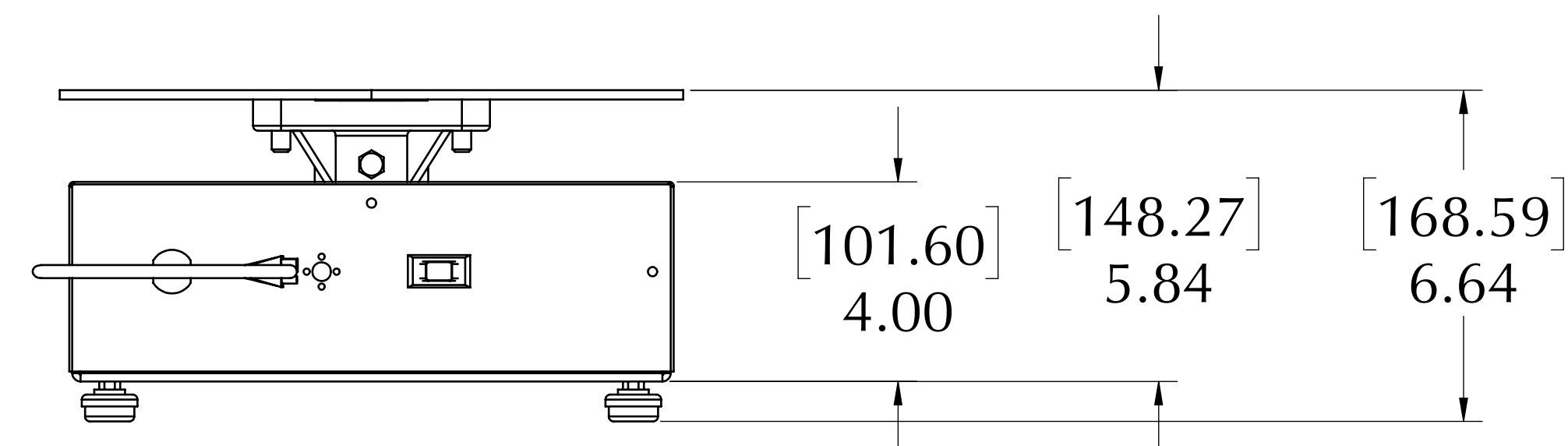
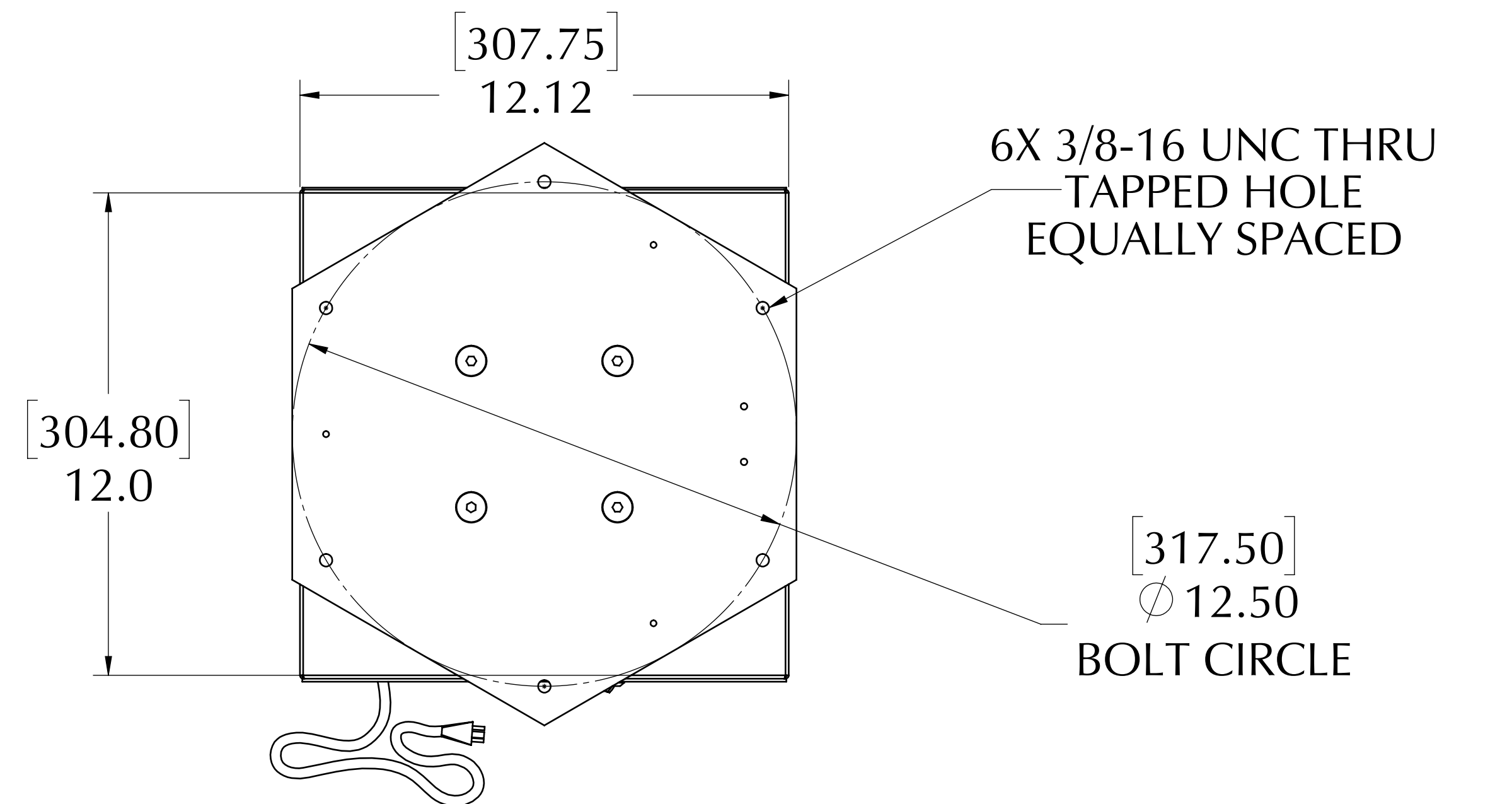


TS-800 Less Collector Ring

Part Number: 153015 021 25W COVER

Designed for easy setup at a tradeshow, this unit is ready to go out of the box. It comes with an electrical cord for easy plug-in, a switch for changing direction easily, a rotating power outlet, and tough black powder coat.

- Hanging Weight Capacity.....None
- Compressive Weight Capacity.....800 lbs [362.9 kg]
- Max Display Size.....7' x 7' (2.1m x 2.1m)
- Standard RPM.....2
- Torque Output @ 2 RPM.....168 in-lbs [19.1 Nm]
- Motor Draw.....0.46 A (25 watts)
- Safety Clutch.....Standard Feature
- Shipping Weight.....37 lbs [16.8 kg]



Dynapac Rotating Company Inc.
 338 Hansen Ave., Salt Lake City, UT 84115
 Phone: 801-485-2221 • Fax: 801-485-2254
 email: info@dynapacrotating.com • www.dynapacrotating.com