

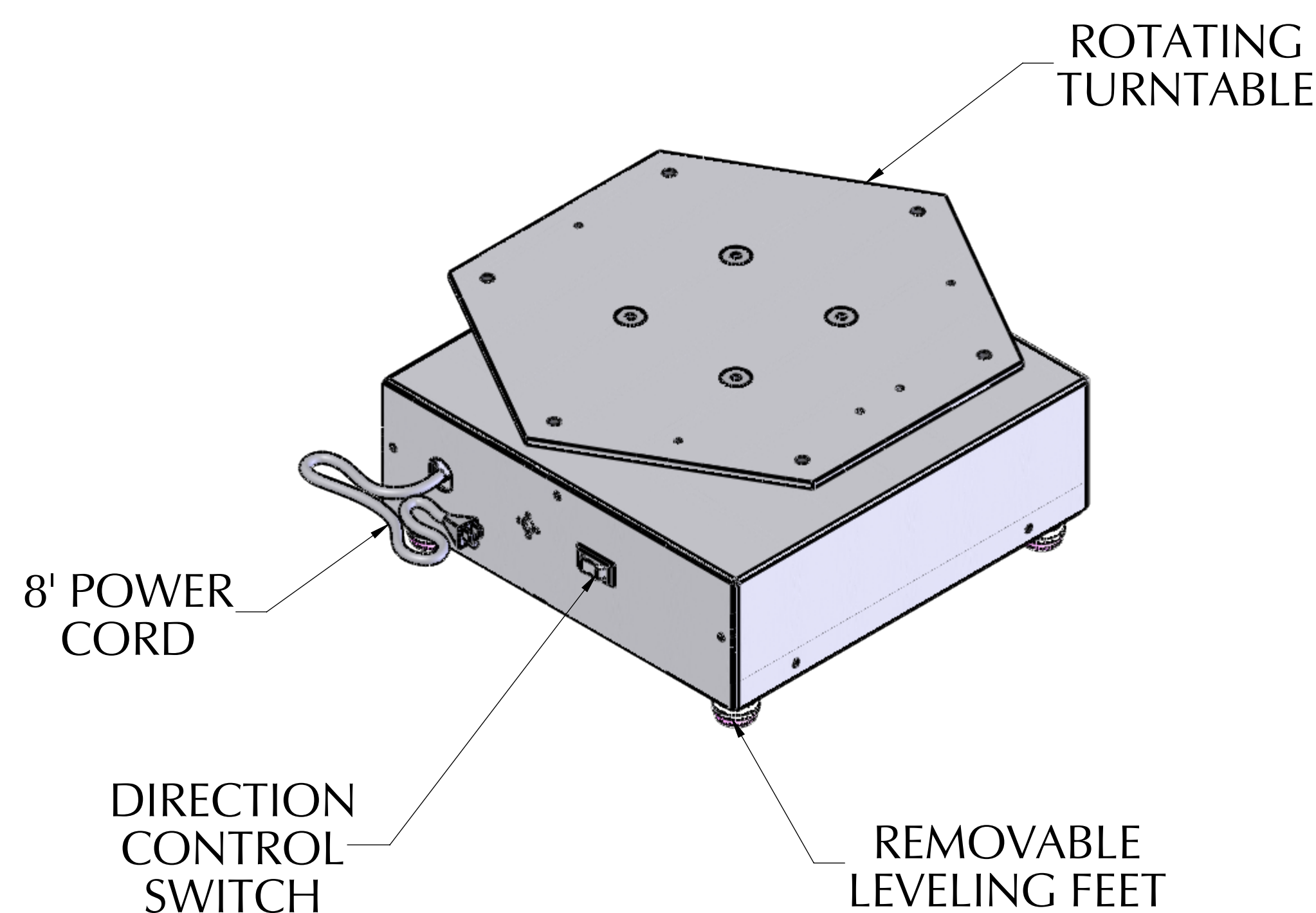
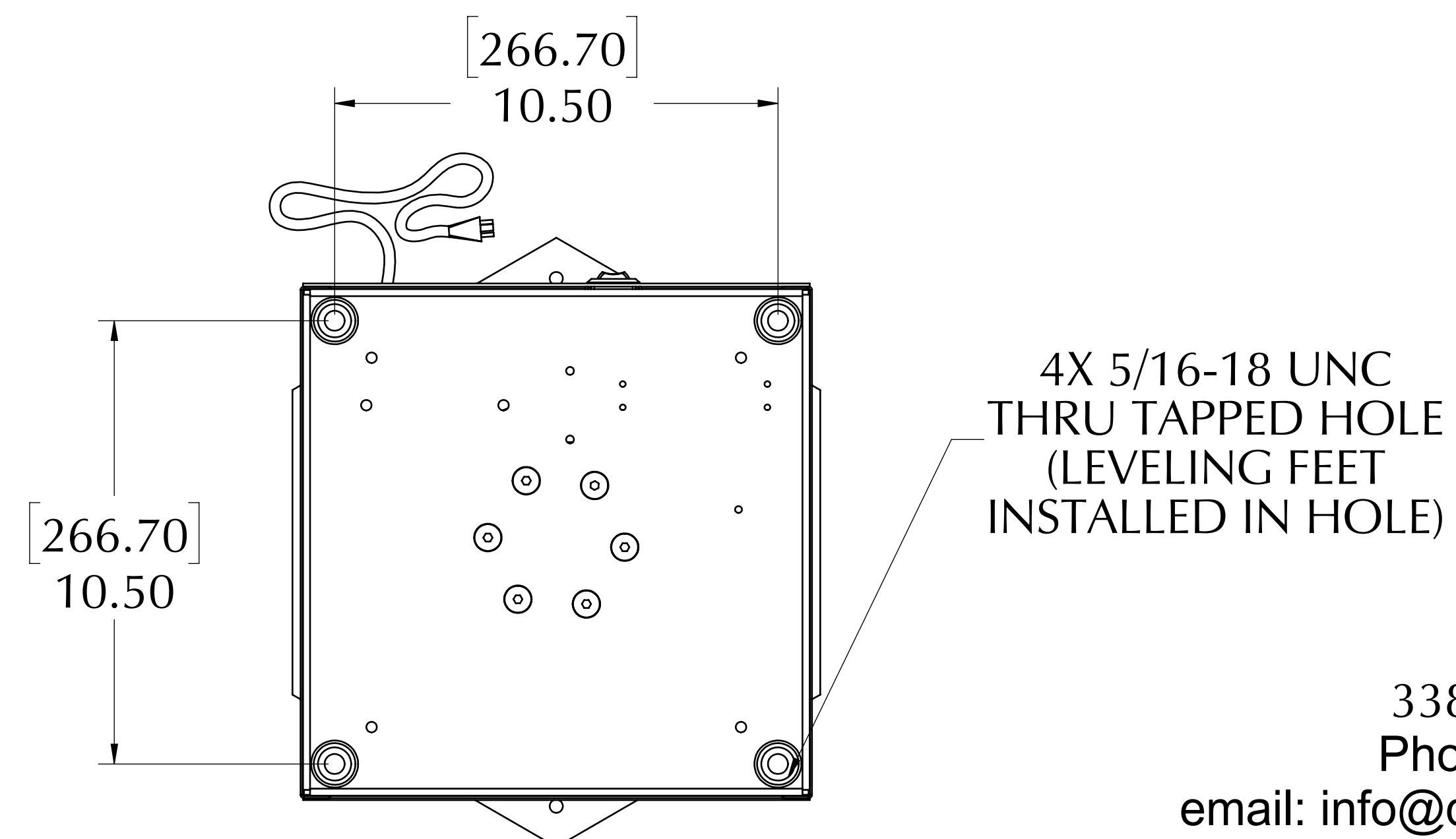
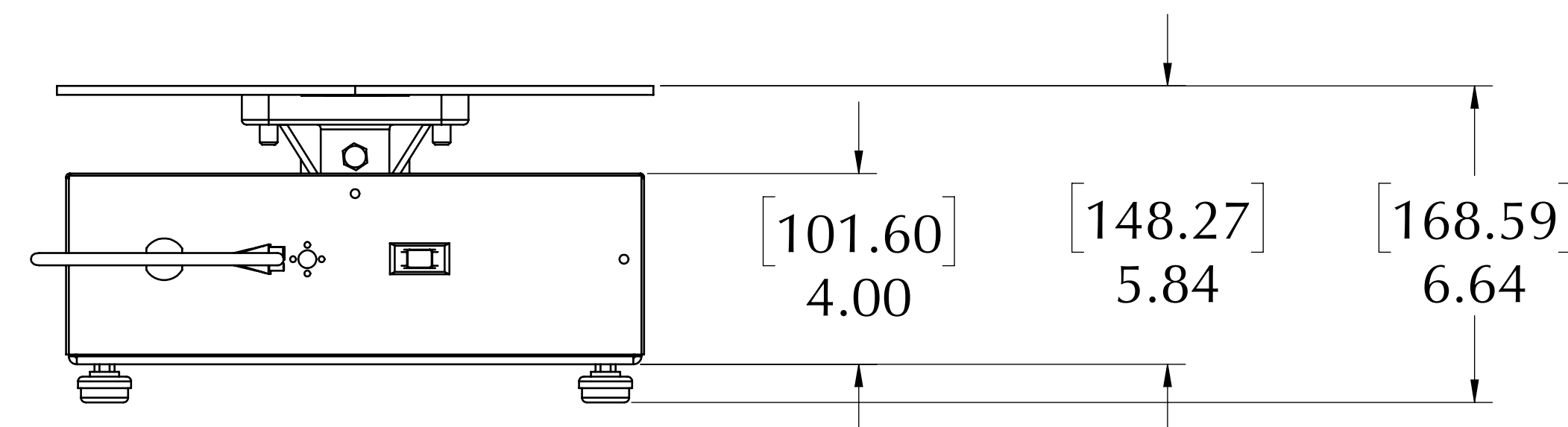
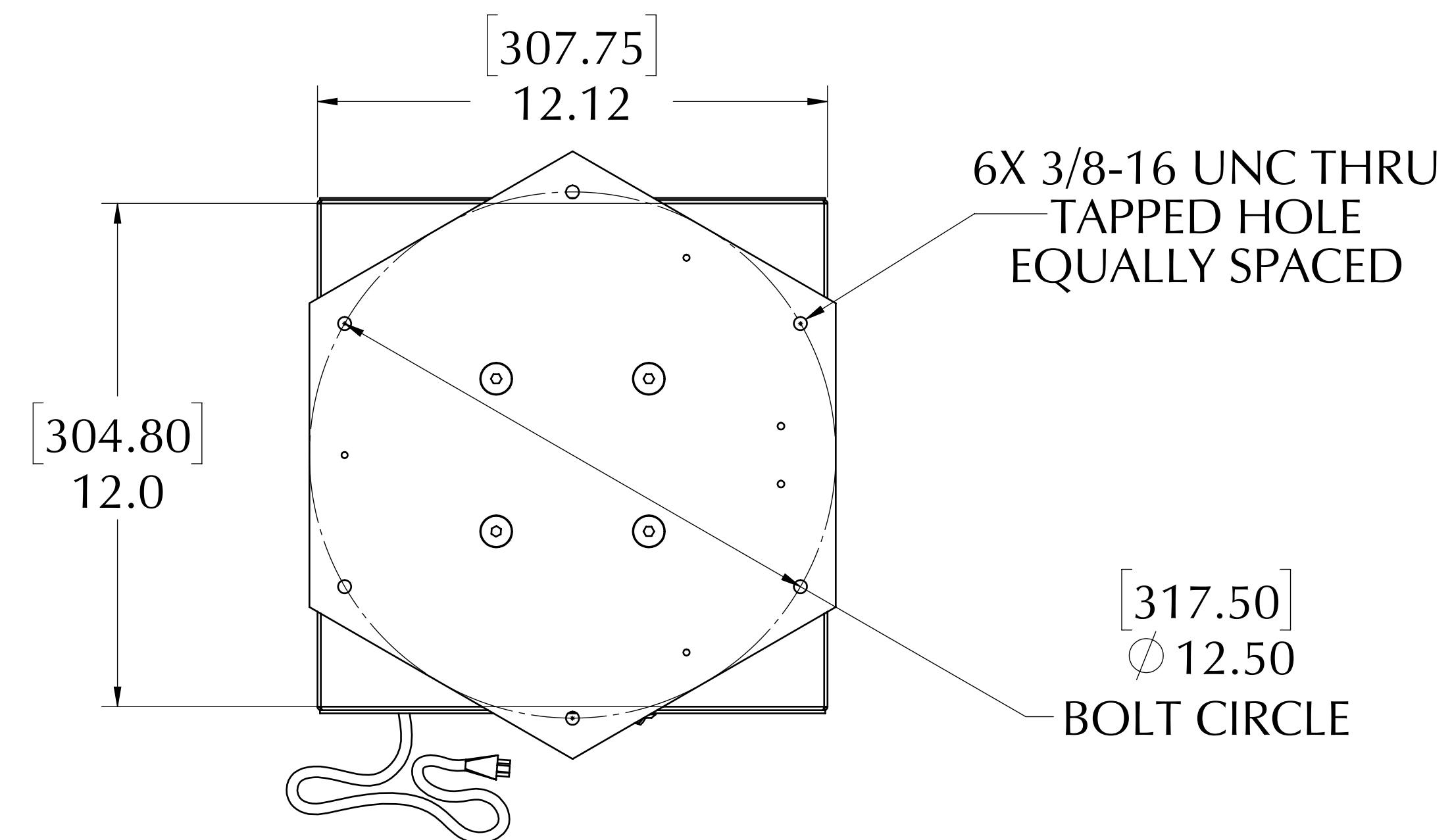


TS-650 Less Collector Ring

Part Number: 153015 021 6W COVER

Designed for easy setup at a tradeshow, this unit is ready to go out of the box. It comes with an electrical cord for easy plug-in, a switch for changing direction easily, a rotating power outlet, and tough black powder coat.

- Hanging Weight Capacity.....None
- Compressive Weight Capacity.....650 lbs [297.8 kg]
- Max Display Size.....6' x 6' (1.8m 1.8m)
- Standard RPM.....2
- Torque Output @ 2 RPM.....95 in-lbs [10.7 Nm]
- Motor Draw.....0.13 A (16 watts)
- Safety Clutch.....Standard Feature
- Shipping Weight.....34 lbs [15.4 kg]



Dynapac Rotating Company Inc.
 338 Hansen Ave., Salt Lake City, UT 84115
 Phone: 801-485-2221 • Fax: 801-485-2254
 email: info@dynapacrotating.com • www.dynapacrotating.com