

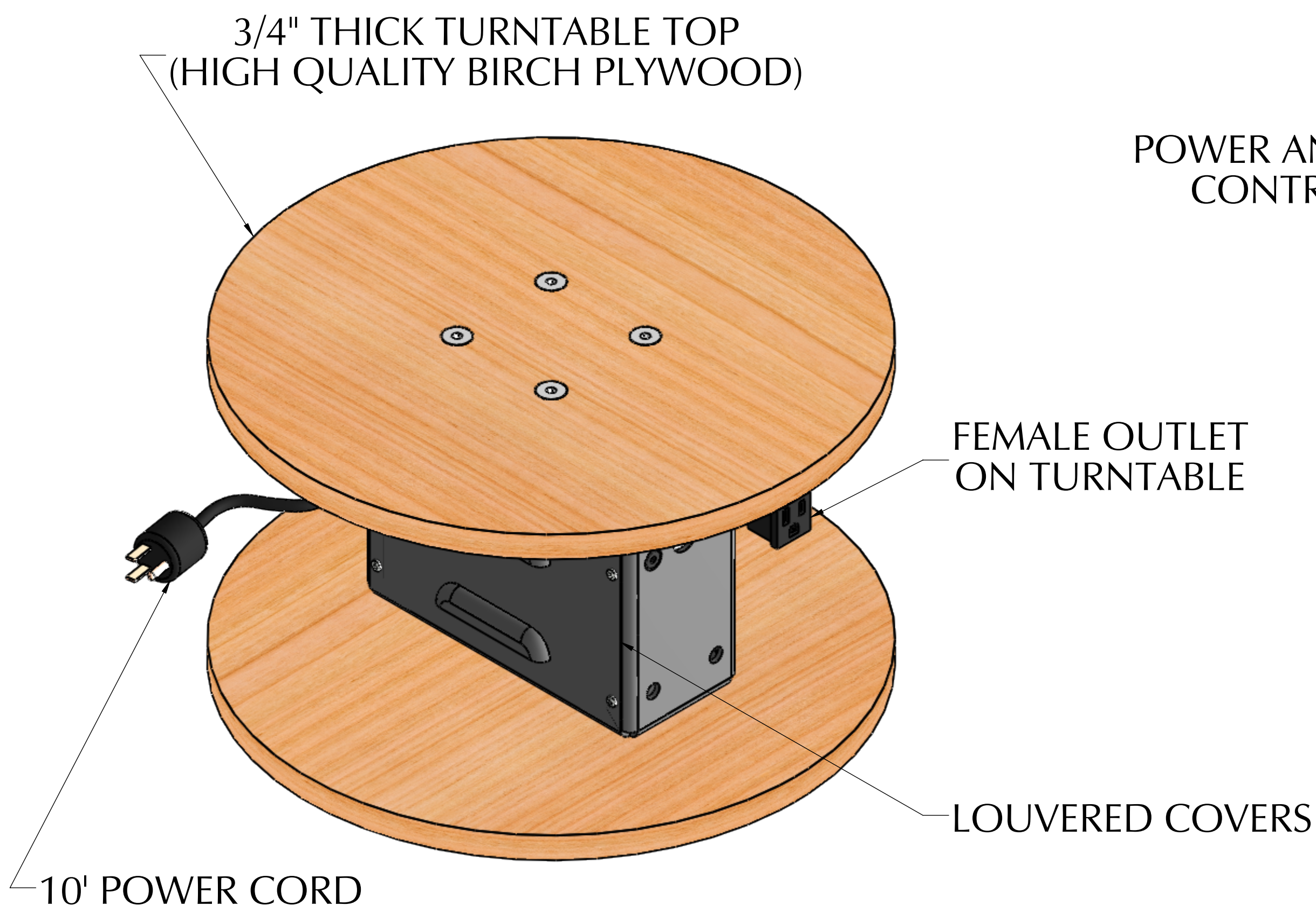
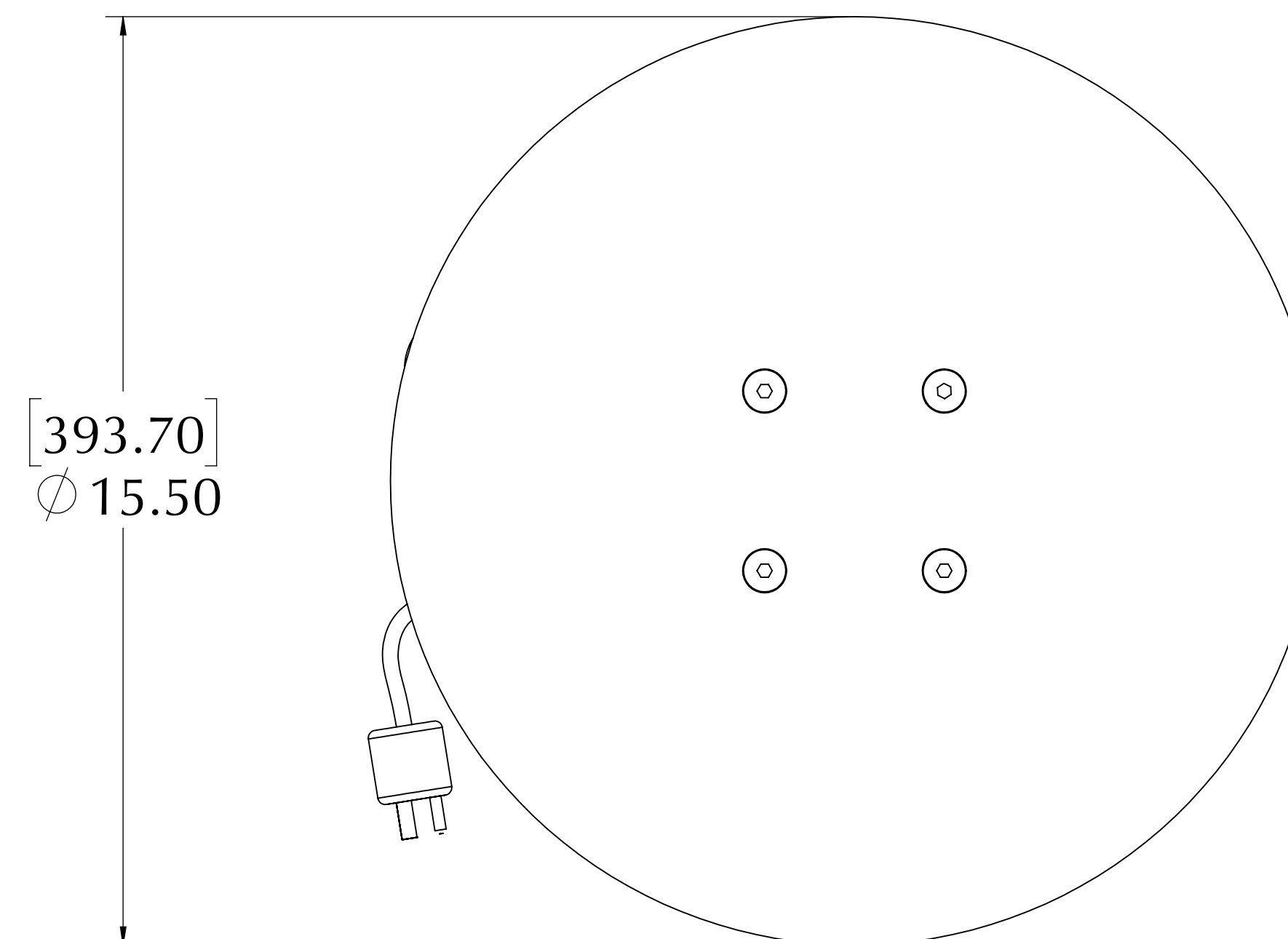


TS-400 Wood Turntable Unit

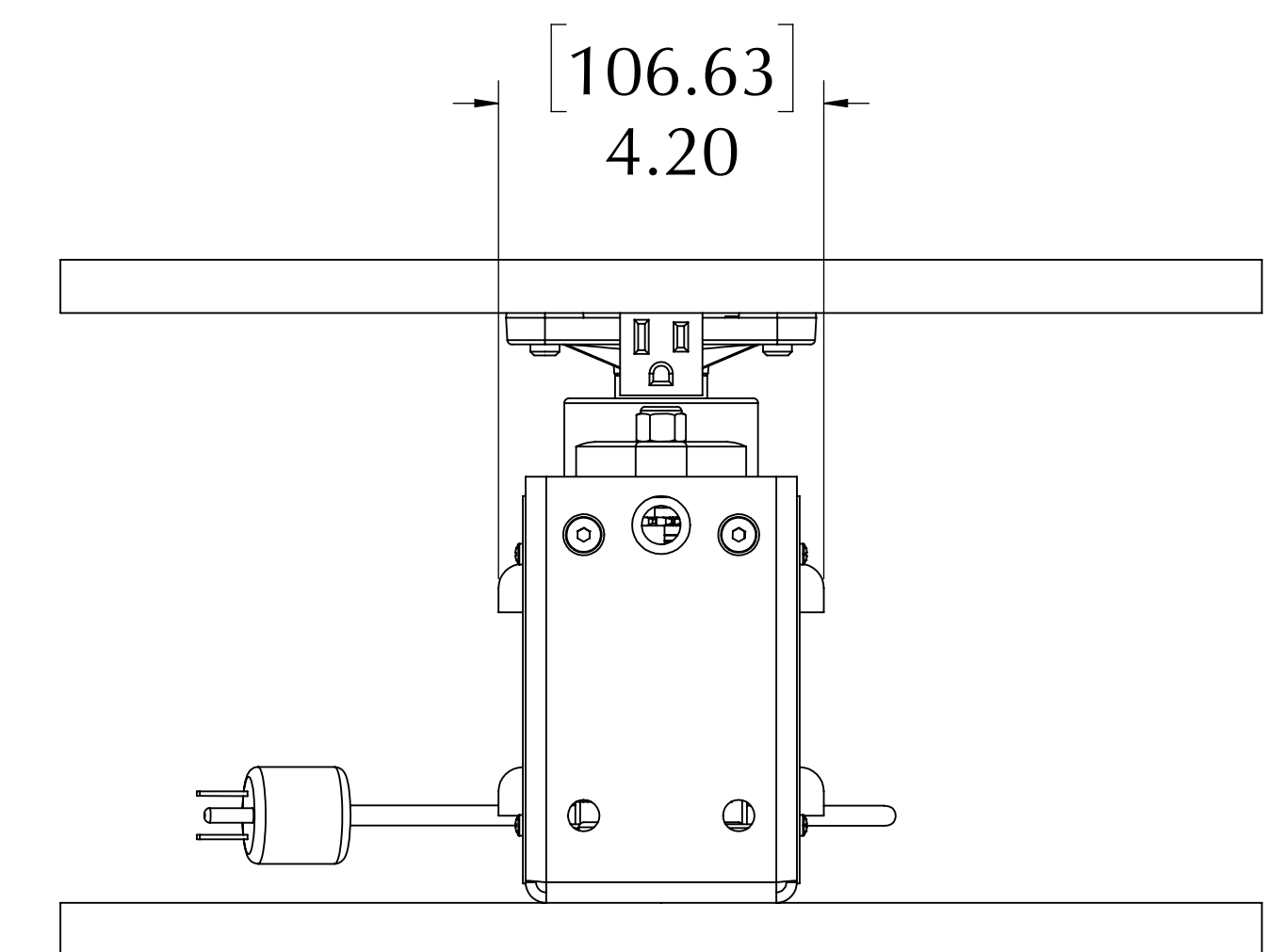
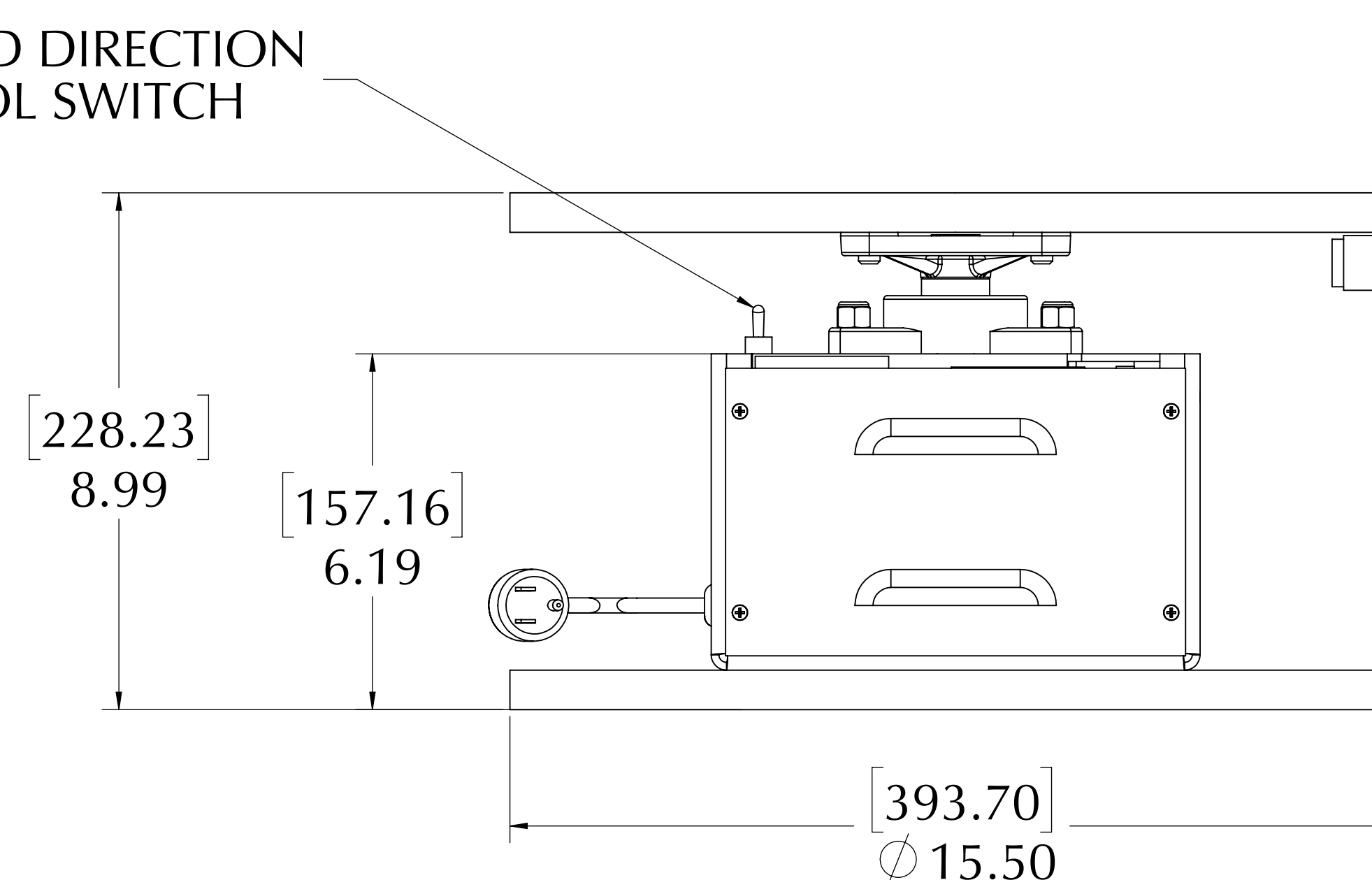
Part Number: 155001 321 TSWOOD

Designed for easy setup at a tradeshow, this unit is ready to go out of the box. It comes with an electrical cord for easy plug-in, a switch for changing direction easily, a rotating power outlet, and wooden mounting surfaces for easy connection into your sign or display.

- Hanging Weight Capacity.....300 lbs [136 kg]
- Compressive Weight Capacity.....400 lbs [181.4 kg]
- Max Display Size.....5' x 5' [1.5m x 1.5m]
- Standard RPM.....2
- Torque Output @ 2 RPM.....39 in-lbs [4.4 Nm]
- Motor Draw.....0.1A (12 watts)
- Safety Clutch.....Standard Feature
- Collector Ring Capacity.....15A at 115 V
- Shipping Weight.....25 lbs [11.3 kg]



POWER AND DIRECTION CONTROL SWITCH



Dynapac Rotating Company Inc.
 338 Hansen Ave., Salt Lake City, UT 84115
 Phone: 801-485-2221 • Fax: 801-485-2254
 email: info@dynapacrotating.com • www.dynapacrotating.com