

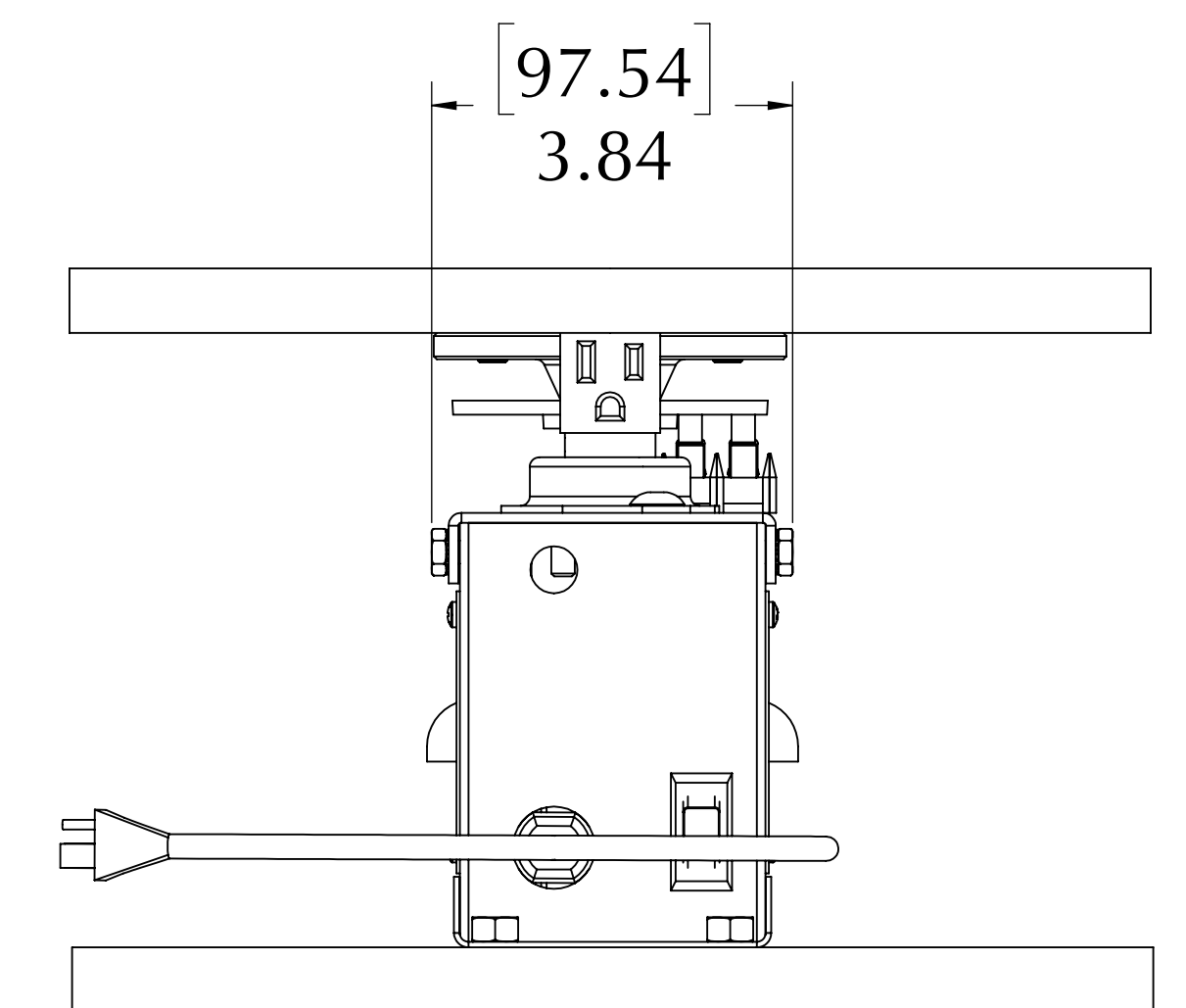
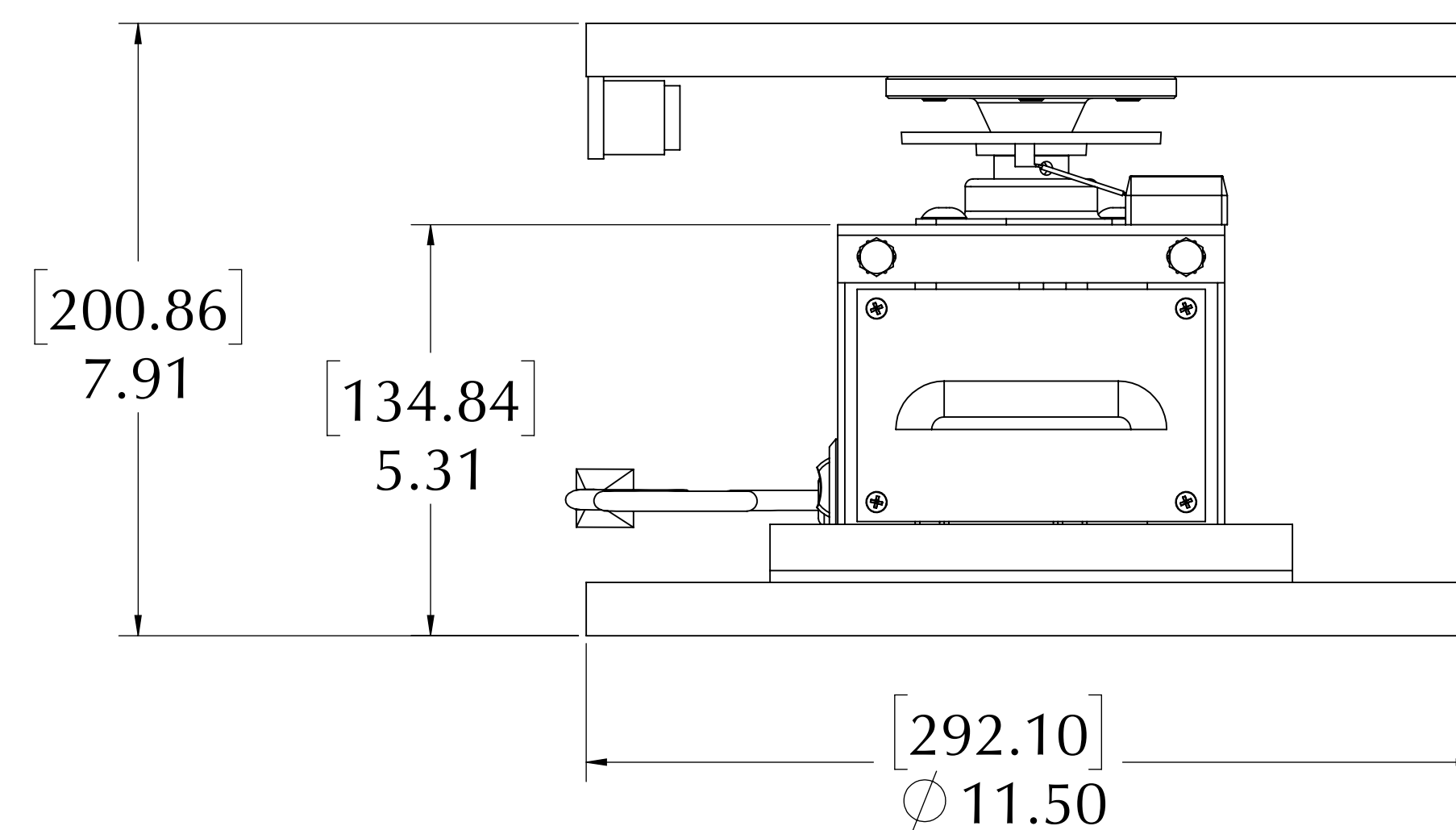
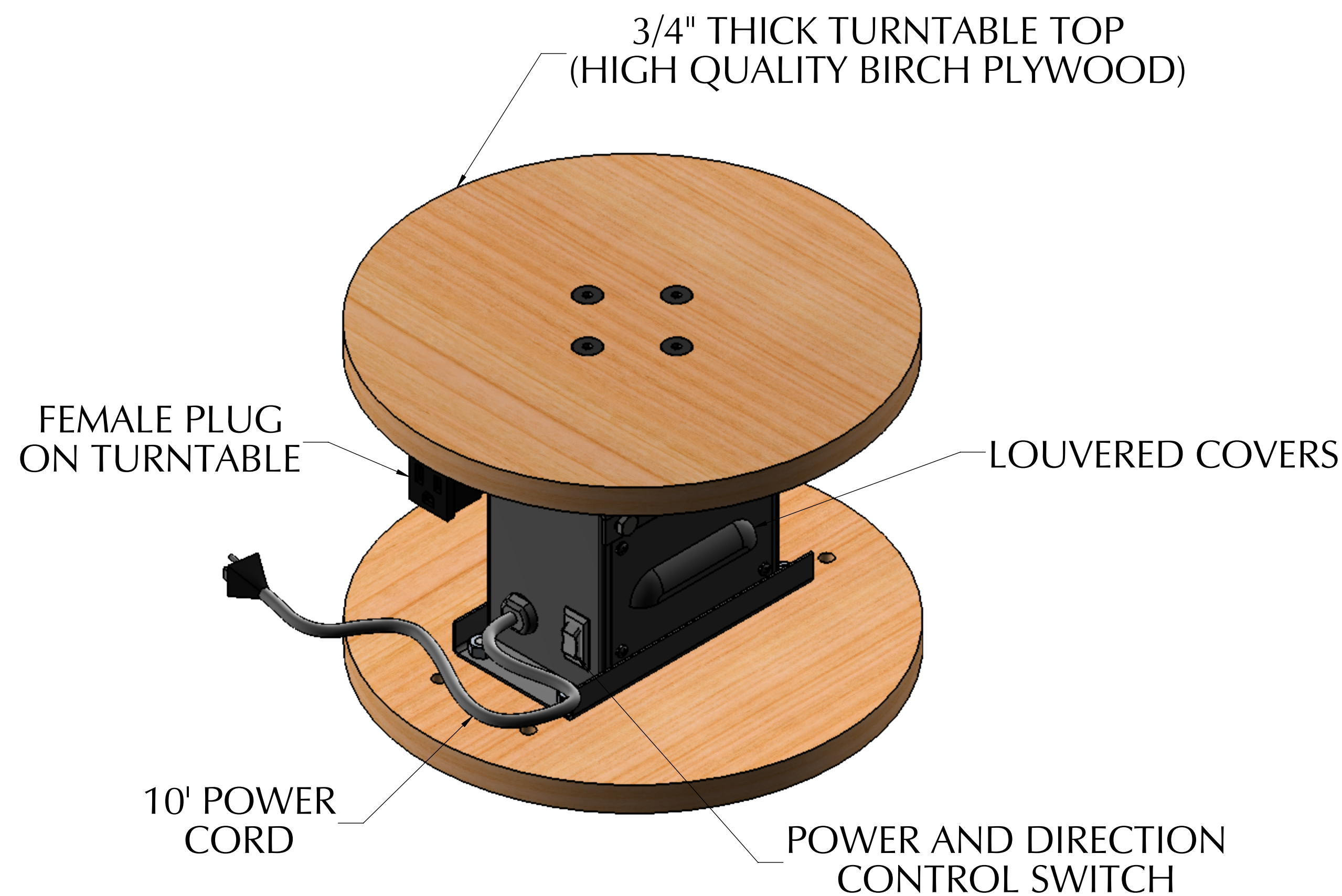
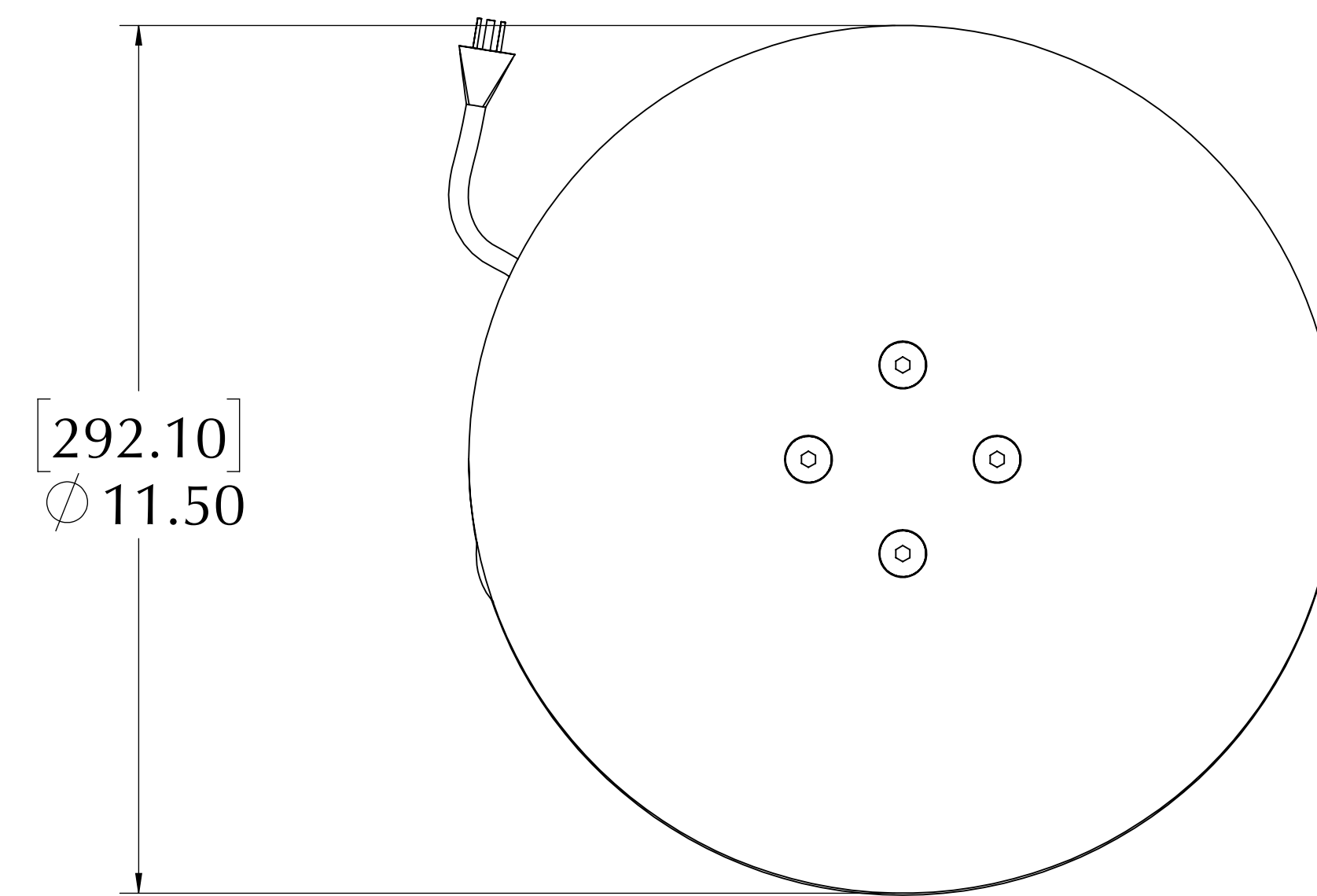


# TS-150 Wood Turntable Unit

Part Number: 154001 221 TSWOOD

Designed for easy setup at a tradeshow, this unit is ready to go out of the box. It comes with an electrical cord for easy plug-in, a switch for changing direction easily, a rotating power outlet, and wooden mounting surfaces for easy connection into your sign or display.

- Hanging Weight Capacity.....100 lbs [45 kg]
- Compressive Weight Capacity.....150 lbs [68 kg]
- Max Display Size.....3' x 3' [91cm x 91cm]
- Standard RPM.....2
- Torque Output @ 2 RPM.....24 in-lbs [2.7 Nm]
- Motor Draw.....0.1A (12 watts)
- Safety Clutch.....Standard Feature
- Collector Ring Capacity.....10A at 115 V
- Shipping Weight.....15 lbs [6.8 kg]



Dynapac Rotating Company Inc.  
 338 Hansen Ave., Salt Lake City, UT 84115  
 Phone: 801-485-2221 • Fax: 801-485-2254  
 email: [info@dynapacrotating.com](mailto:info@dynapacrotating.com) • [www.dynapacrotating.com](http://www.dynapacrotating.com)