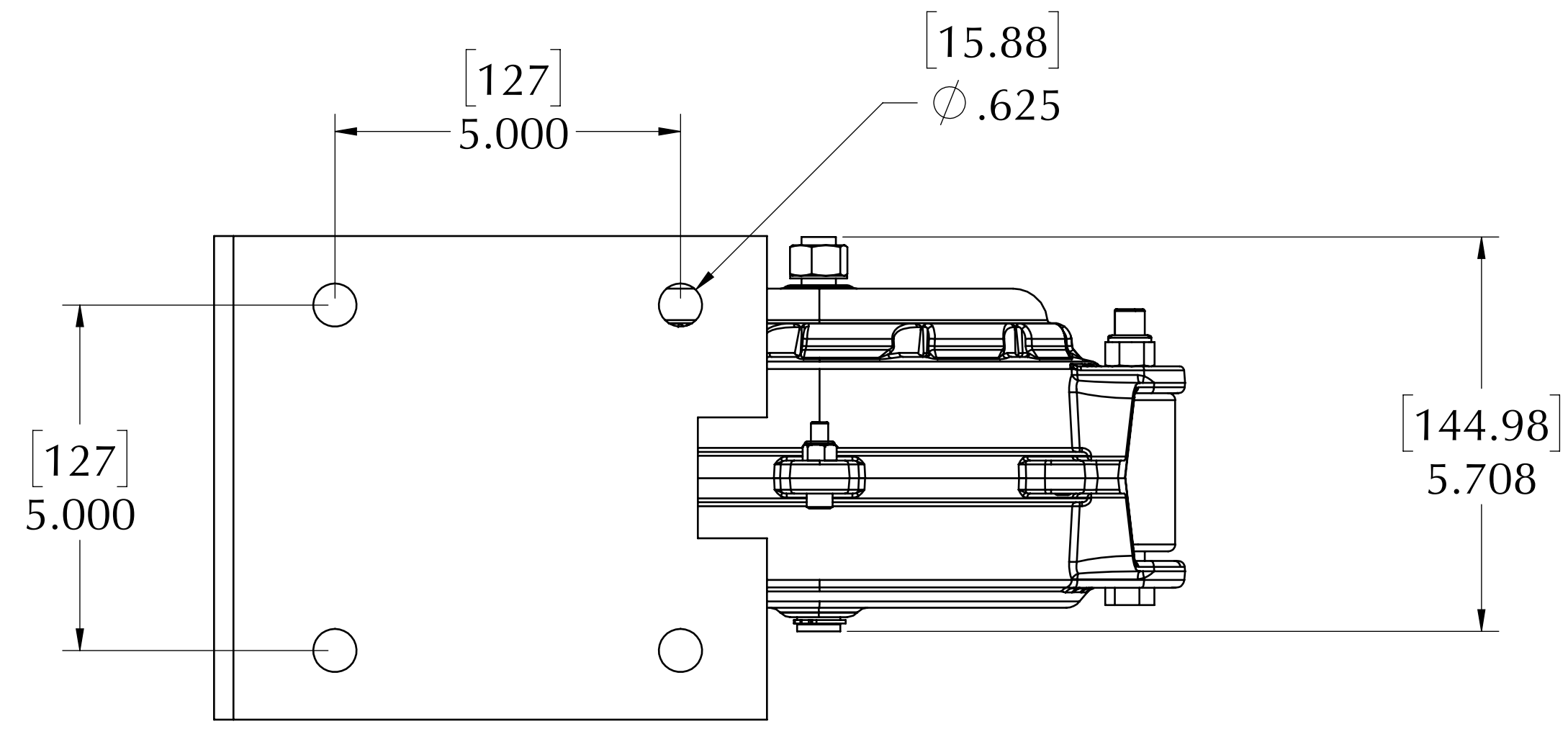
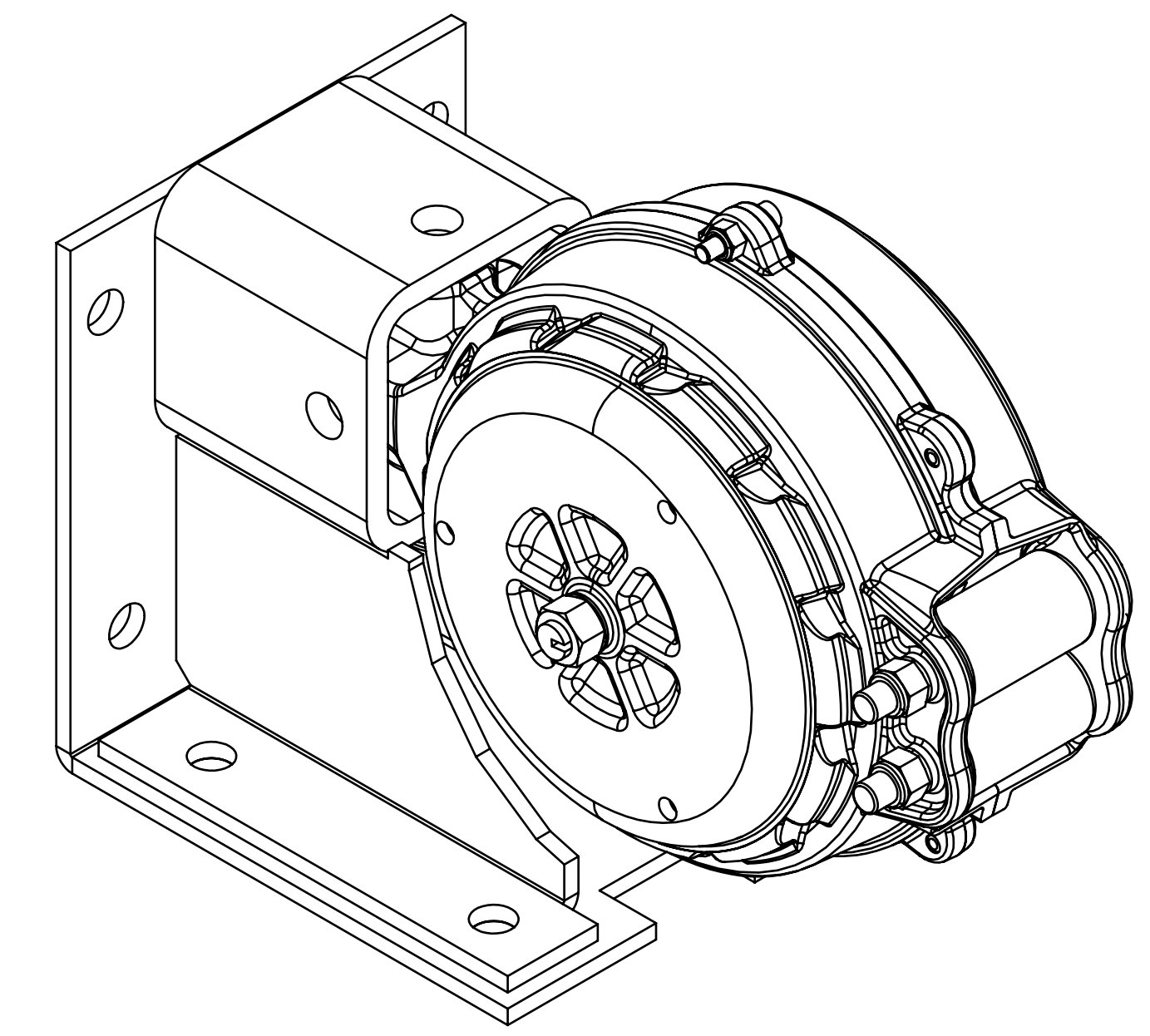
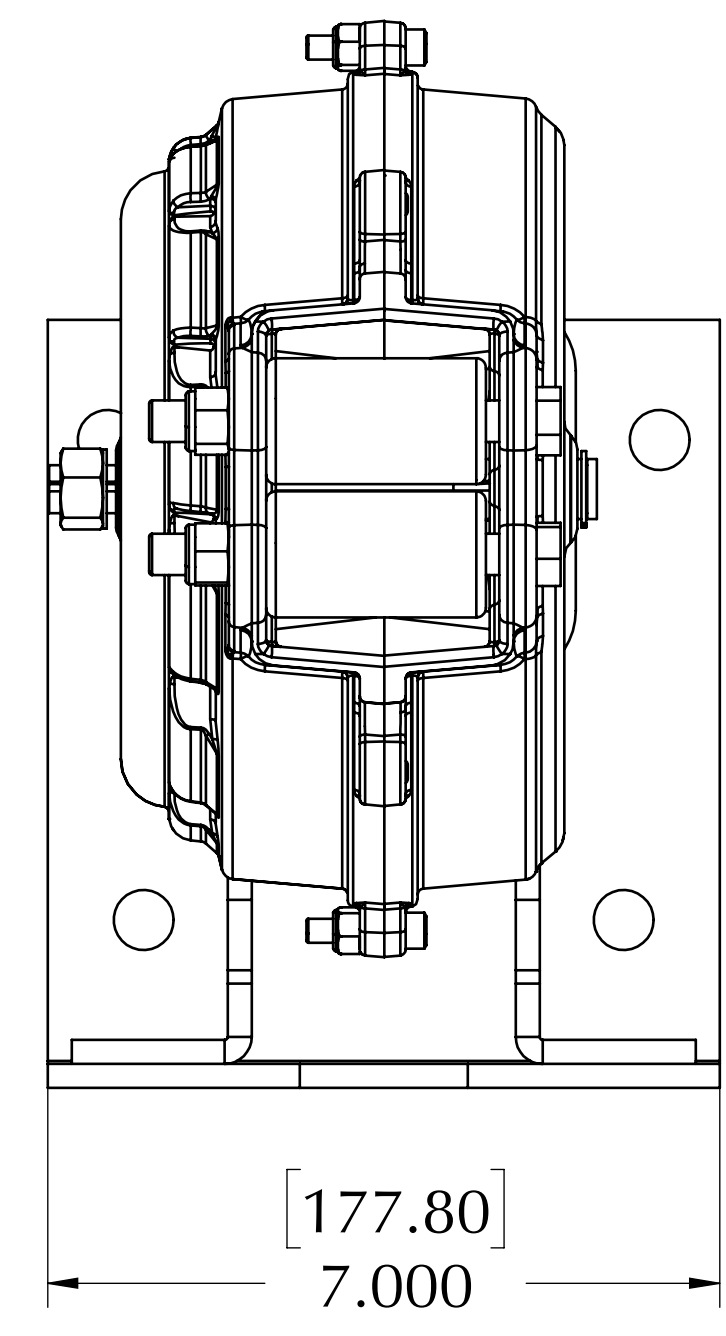
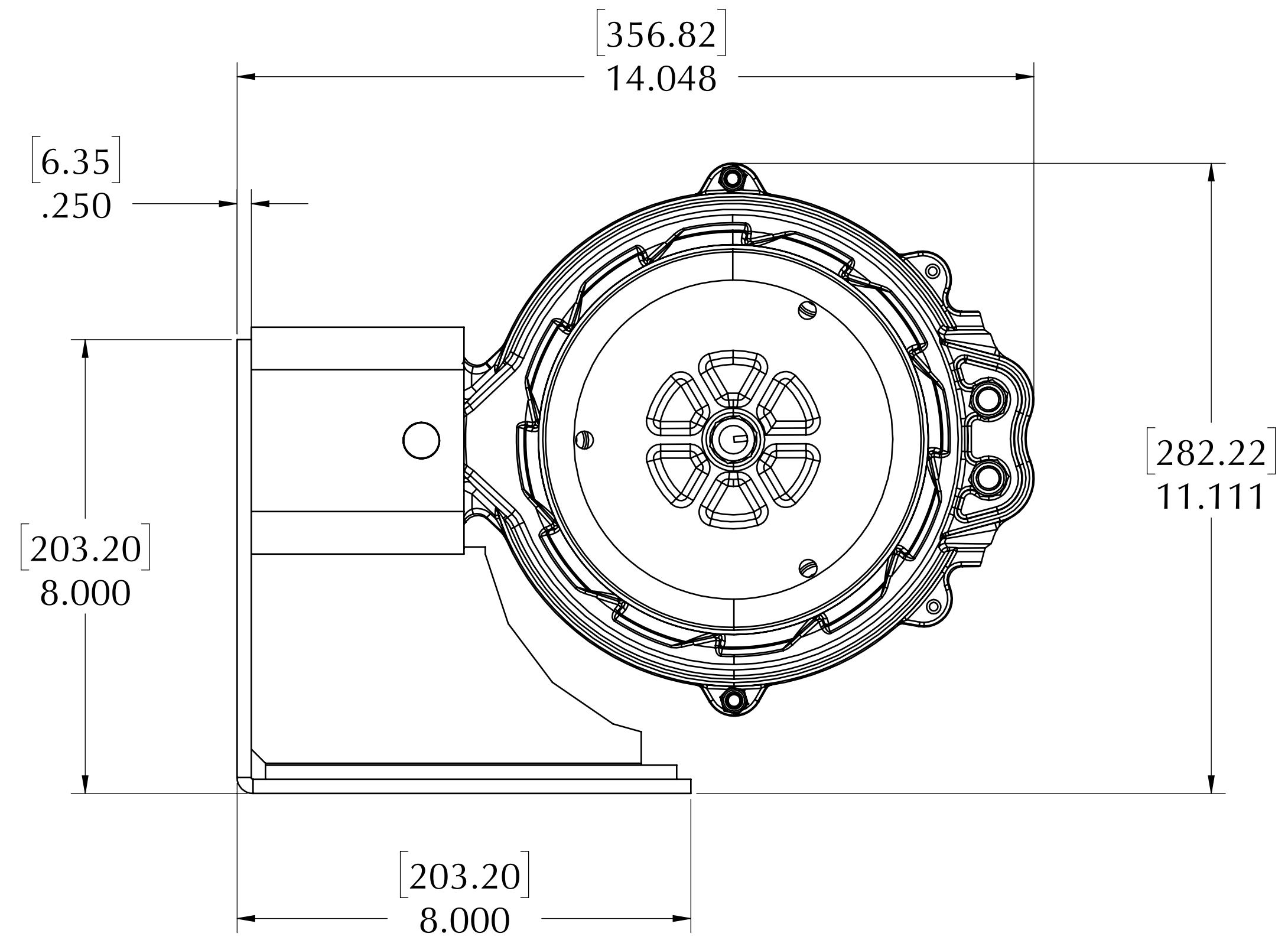



REVISIONS			
REV.	DESCRIPTION	DATE	APPROVED

SAFETY ARRESTER ASSEMBLY

MAX WEIGHT CAPACITY = 1000 LB (453 kg)



- NOTES:
 1. TRAVEL DISTANCE = 35' (10.6 m)
 2. TOTAL SAFETY STRAP LENGTH = 46' (14.0 m)

<small>UNLESS OTHERWISE SPECIFIED DIMENSIONS ARE IN INCHES</small> <small>TOLERANCES:</small> FRACTIONAL ± 1/32 ANGULAR ± 2° DECIMAL .XX ± 0.05 .XXX ± 0.10	<small>APPROVALS</small> DRAWN: ALEX CAMPBELL CHECKED: _____ ENG APPR: _____	<small>DATE</small> 1/30/17	DYNAPAC ROTATING CO. SALT LAKE CITY, UTAH 	
	<small>PROPRIETARY AND CONFIDENTIAL</small> <small>THE INFORMATION CONTAINED IN THIS DRAWING IS THE SOLE PROPERTY OF DYNAPAC ROTATING CO., INC. ANY REPLICATION IN PART OR AS A WHOLE WITHOUT THE WRITTEN PERMISSION OF DYNAPAC ROTATING CO., INC. IS PROHIBITED.</small> <small>© COPYRIGHT DYNAPAC ROTATING CO., INC. ALL RIGHTS RESERVED</small>	<small>APPLICATION</small> SAFETY ARRESTER ASSEMBLY		<small>SIZE</small> D
<small>FINISH</small> FINAL ASSY		<small>SCALE</small> 1:2	<small>SHEET 1 OF 1</small>	