

Outdoor Installation

Questions? Call 800-657-2650 for help

For ALL installations

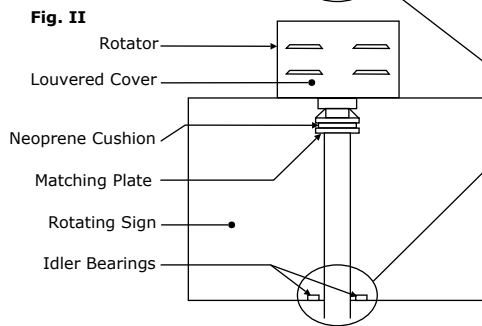
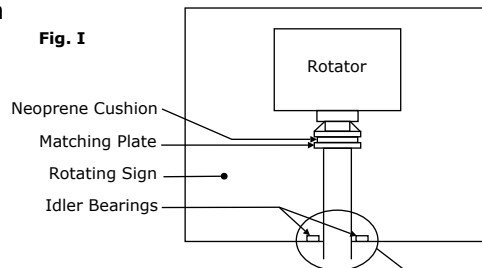
- Rotator MUST be plumb and square with sign pole.
- Use silicone sealant on ALL wire holes to prevent water damage, especially Fig. III, IV, and V
- Make sure rotator will not be damaged by weather.

Choose installation method below:

Fig. I/ Fig II Installation

Required Accessories:

- Neoprene Cushion
- Matching Plate
- Idler Bearings
- Louvered Covers (Fig II only)



- Mount rotator inside sign, above center line.
- Sign must be welded or bolted to rotator frame.
- Figure II; use Louvered cover to prevent water damage.
- Mount Idler Bearings as shown:

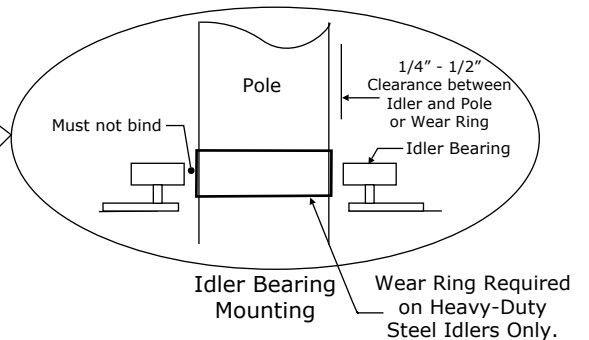
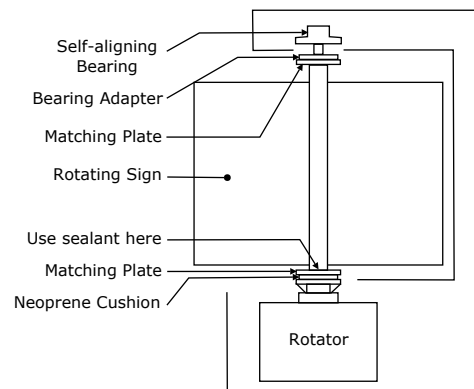


Fig. III Installation

Required Accessories:

- Neoprene Cushion
- Matching Plate (2x)
- Self-aligning Bearing
- Bearing Adapter

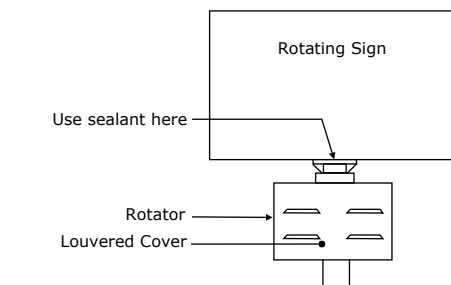


- Always place rotator at bottom of sign, turntable facing up.
- Always use a Neoprene cushion at bottom of sign.
- Use self-aligning bearing at top of sign.
- Use sealant on Rotator Turntable

Fig. IV Installation

Required Accessories:

- Louvered Cover

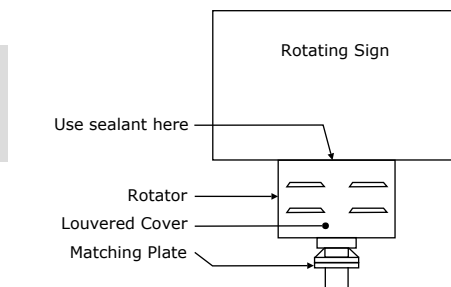


- Rotator Frame is stationary.
- Rotator Frame is welded or bolted to top of sign pole.
- Mount sign to rotator turntable.
- Use Louvered Cover to prevent water damage.
- Use sealant on Rotator Turntable

Fig. V Installation

Required Accessories:

- Matching Plate
- Louvered Cover



- Rotator Frame rotates with sign.
- Bolt rotator turntable to matching plate.
- Use Louvered Cover to prevent water damage.





Phone: 800-657-2650
Email: info@dynapacrotating.com
www.dynapacrotating.com

Electrical Connections

Questions? Call 800-657-2650 for help

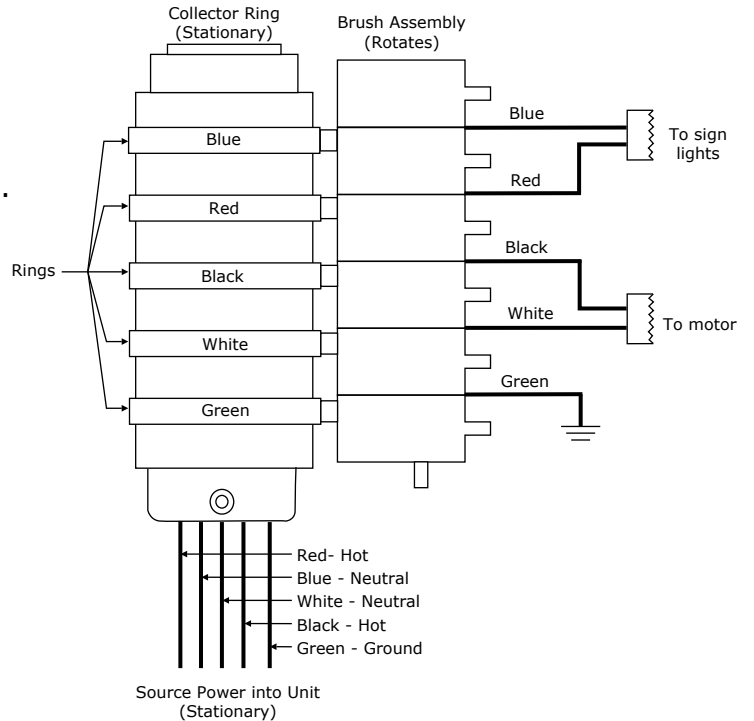
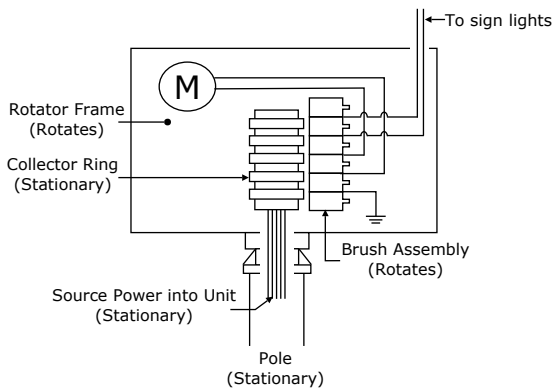
For ALL Installations:

- Every circuit MUST have two separate rings; a hot and a neutral.
- Do NOT exceed the rated capacity of rings.
- Two circuits sharing a neutral ring will overload it, and can cause the collector ring to burn.

| | |
|---|--|
| ⚠ WARNING | |
|  | Disconnect power before servicing or installing. Do not touch any electrical components while unit is connected to power source. |
|  | Keep hands clear while operating. Read installation and maintenance instructions prior to operation. |

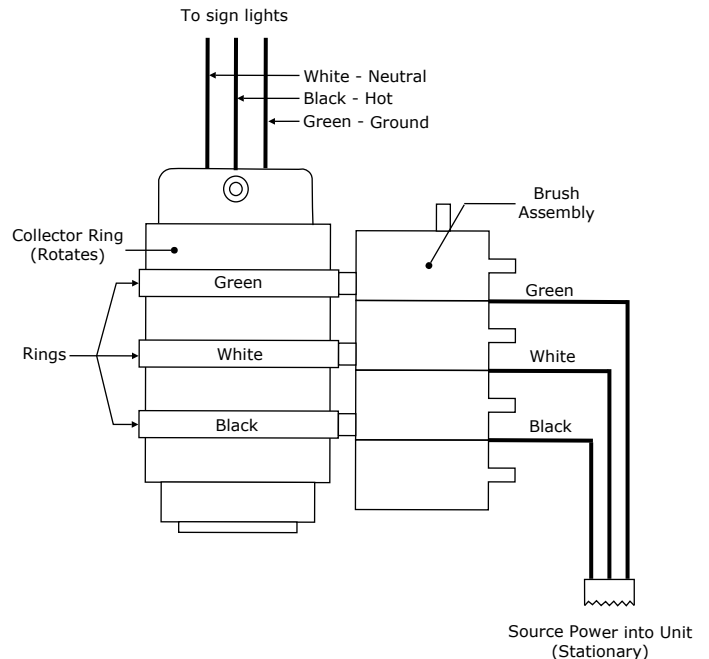
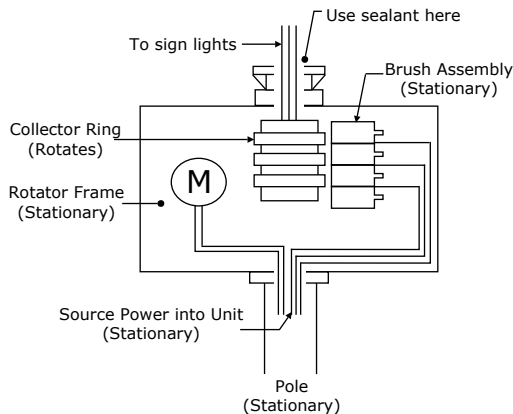
Rotator Turntable faces down (Fig. I, II, and V)

- Brush Assembly turns with rotator.
- Collector ring is stationary.
- Source power wiring attaches to the collector ring.
- Sign wiring attaches to the brush assembly.



Rotator Turntable faces up (Fig. III and IV)

- Brush assembly is stationary.
- Collector ring turns with rotator.
- Source power wiring attaches to brush assembly.
- Motor does not turn, and can be attached directly to source power wiring.
- Sign wiring attaches to collector ring.
- Use silicone sealant where the turntable and sign meet to prevent water damage to rotator.







Phone: 800-657-2650
 Email: Info@dynamapacrotating.com
www.dynamapacrotating.com

Outdoor Maintenance

Dynapac Outdoor Rotator models H, J, K, and L

Questions? Call 800-657-2650 for help

|  WARNING | |
|--|---|
|  | Disconnect power before servicing or installing. Do not touch any electrical components while unit is connected to power source. |
|  | Do not exceed load ratings of unit. Hanging loads must be centered under unit. Do not operate if unit is damaged or malfunctioning. |
|  | Keep hands clear while operating. Read installation and maintenance instructions prior to operation. |

Service Schedule: 30 days after installation, then every 6 months:

Electrical Connections (Disconnect power before checking)

- Check brush assembly and collector ring fasteners for tightness.
- Make sure brushes and rings are in full contact.
- Check brush spring tension.

Pulleys and Belt

- Check pulley fasteners for tightness.
- Check belt for wear and tension.
 - Push belt with finger; should deflect:
 - K and L units: 1 inch
 - H and J units: ½ inch
- Check for pulley alignment; pulleys should be in line.

Motor

- Run motor with no belt attached and listen for noisy motor bearings.

Gear Reducer

- Make sure gear reducer is securely bolted to the bearing housing.
- Run the rotator and listen for excessive noise or grinding.
- Check oil level.
 - Open upper red breather plug; oil level should be just below plug hole.
 - Fill with 90 wt. gear lube if needed.
 - Note: oil will leak from breather plug if too full.
 - For best results, drain oil from lower plug and refill with new oil yearly.

Bearing Housing and Turntable

- Check mounting bolts for tightness.
- If the bearing has grease zerk (Series 35, 200 and 350 units), apply no. 2 grease once a year.
 - Units with no grease fittings need no lubrication.



Phone: 800-657-2650
Email: info@dynapacrotating.com
www.dynapacrotating.com

WARRANTY

We warrant that we will repair or exchange, at our option, any defective part of parts being defective in material or workmanship within one (1) year from the date of original installation. To be effective the part or parts must be returned within thirty (30) days of removal from the installation described below, and the faulty part or parts must be determined to be defective by our examination.

liability for consequences of its' use or misuse by such purchaser user, his employees or agents, or other third persons. Our responsibility under this Warranty ends if changes are made in the unit; if the serial number on the name plate is altered, mutilated or removed; if parts or devices not of our manufacture are added to the rotating mechanism.

This warranty does not apply to the turntable or any part thereof which has been subjected to improper installation, accident, alteration, abuse, misuse, damage caused by flood, fire, or act of God, or which has been used on circuits, voltages, or frequencies, other than indicated on the model's name plate. This Warranty does not extend to trade accessories furnished as a part of the equipment and not of DYNAPAC'S manufacture, these being subject to the warranties, if any, of their respective manufacturers.

In order to obtain the benefits of this Warranty, the owner shall, at his own risk and expense, return the product or the defective part or parts to the factory with transportation charges prepaid. All replacements shall be f.o.b. our factory, and we shall not be liable for drayage or labor costs.

This Warranty is in lieu of all other warranties, expressed or implied, and of all other obligations or liabilities on our part, and we neither assume nor authorize any person to assume for us any other obligation or liability in connection with the sale of this product.

The purchaser-user of this equipment agrees to assume all

UNIT DESCRIPTION

(for owner's information)

Date of installation _____

DYNAPAC Serial No. _____

Date of Purchase _____

Model No. _____

DYNAPAC ROTATING COMPANY INC.

338 Hansen Ave.

Salt Lake City, Utah 84115

For free technical help, contact us at:

Phone: 800-657-2650
Email: info@dynapacrotating.com
www.dynapacrotating.com



338 Hansen Ave.
Salt Lake City, Utah 84115