

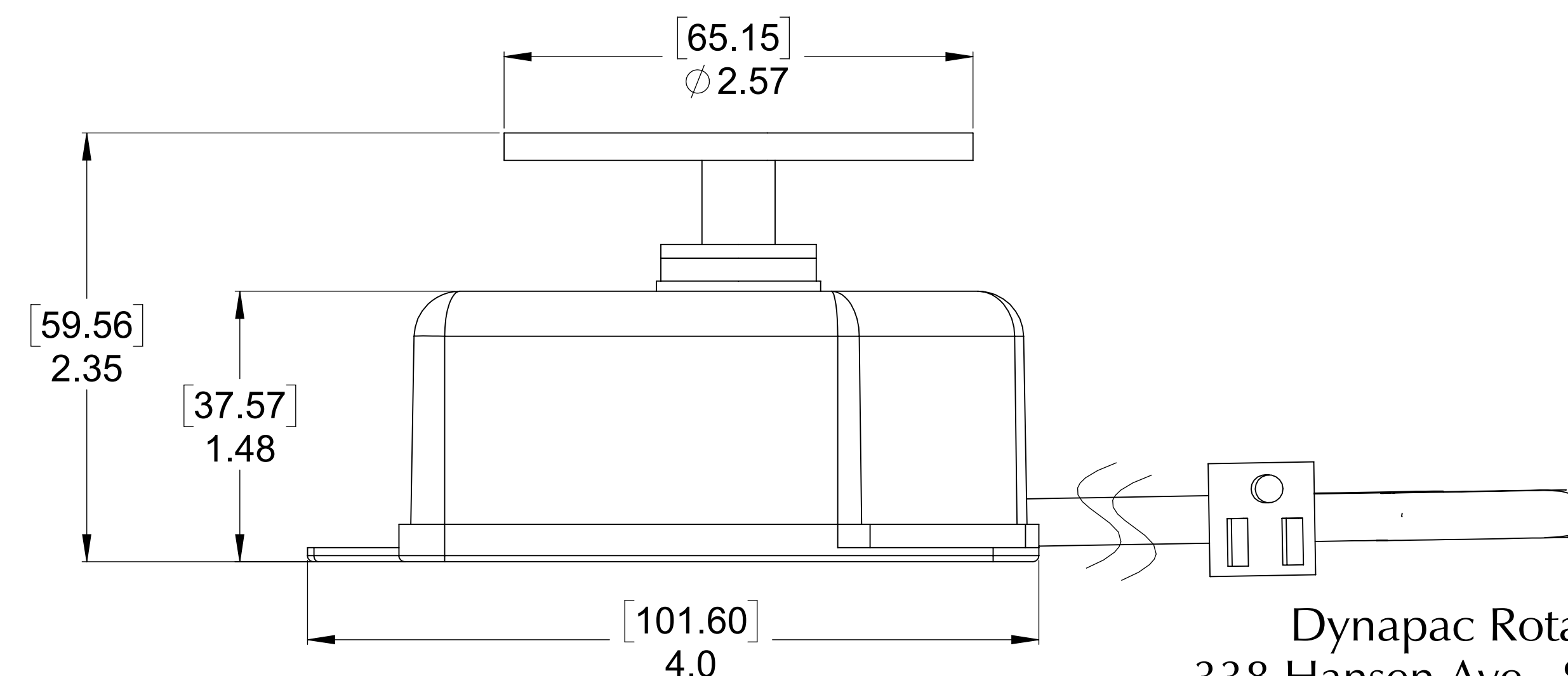
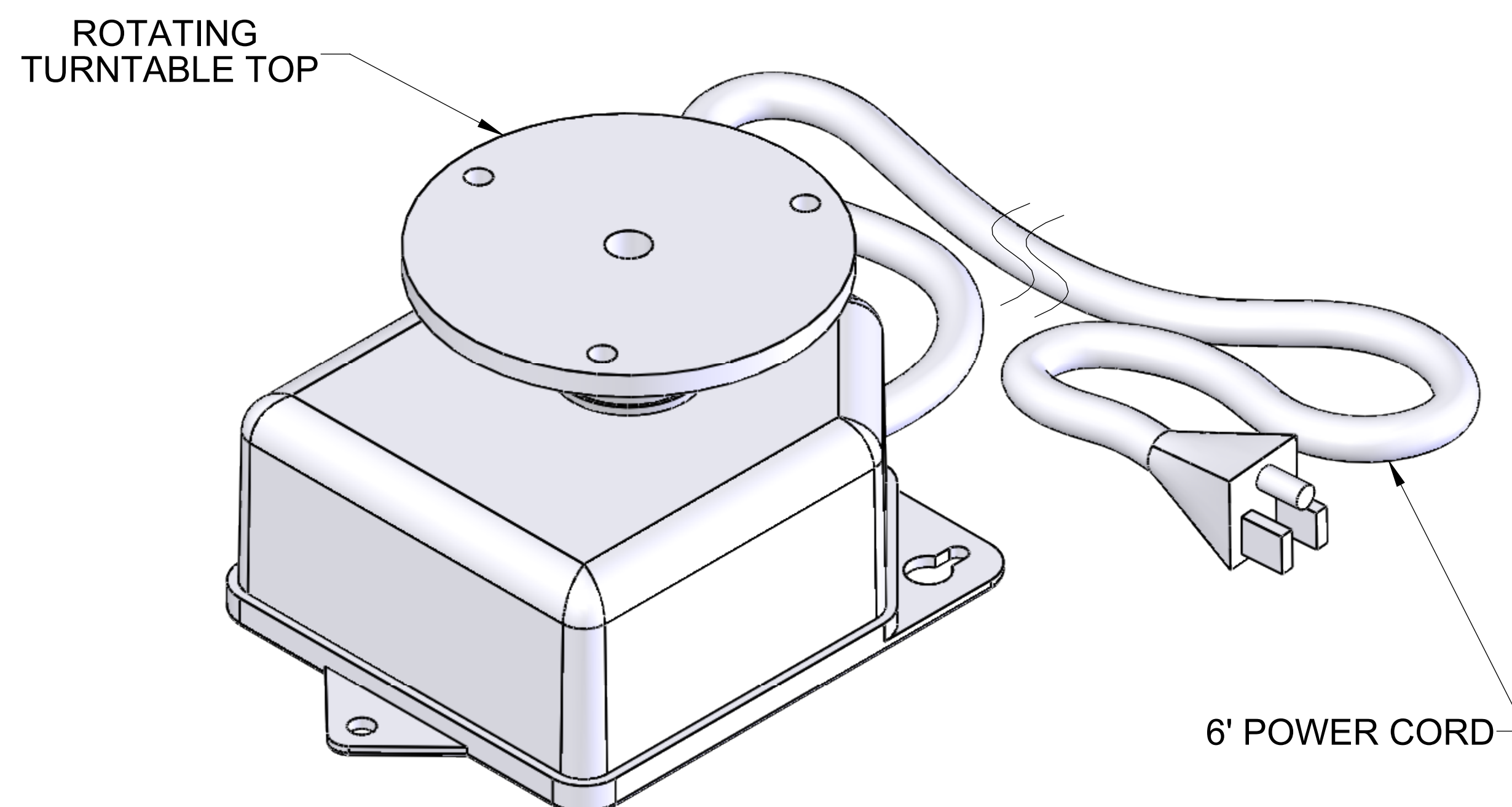
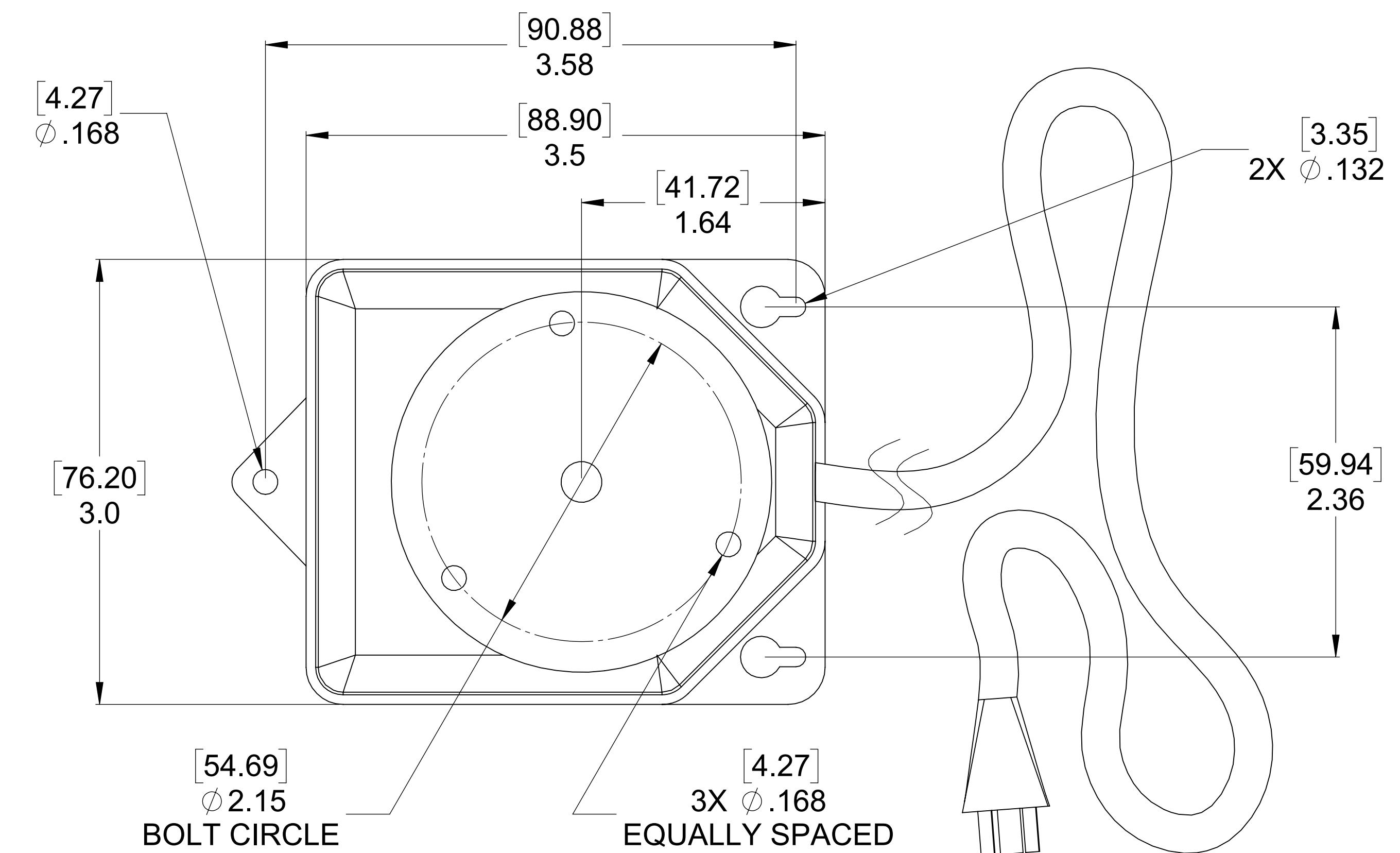


M-6

Part Number: 144114

The M-6 rotator is designed for small indoor Point Of Purchase style displays. It can turn a small sign or display weighing up to 6 lbs and includes a safety clutch to prevent damage to the motor when turning motion is obstructed.

- Hanging Weight Capacity.....6 lbs [2.7 kg]
- Compressive Weight Capacity.....6 lbs [2.7 kg]
- Max Display Size.....0.5' x 0.5' [15cm x 15cm]
- Standard RPM.....2.5
- Torque Output @ 2.5 RPM.....1.5 in-lbs [0.17 Nm]
- Motor Draw.....0.04A (4 watts)
- Safety Clutch.....Standard Feature
- Shipping Weight.....2 lbs [0.9 kg]



Dynapac Rotating Company Inc.
 338 Hansen Ave., Salt Lake City, UT 84115
 Phone: 801-485-2221 • Fax: 801-485-2254
 email: info@dynapacrotating.com • www.dynapacrotating.com