

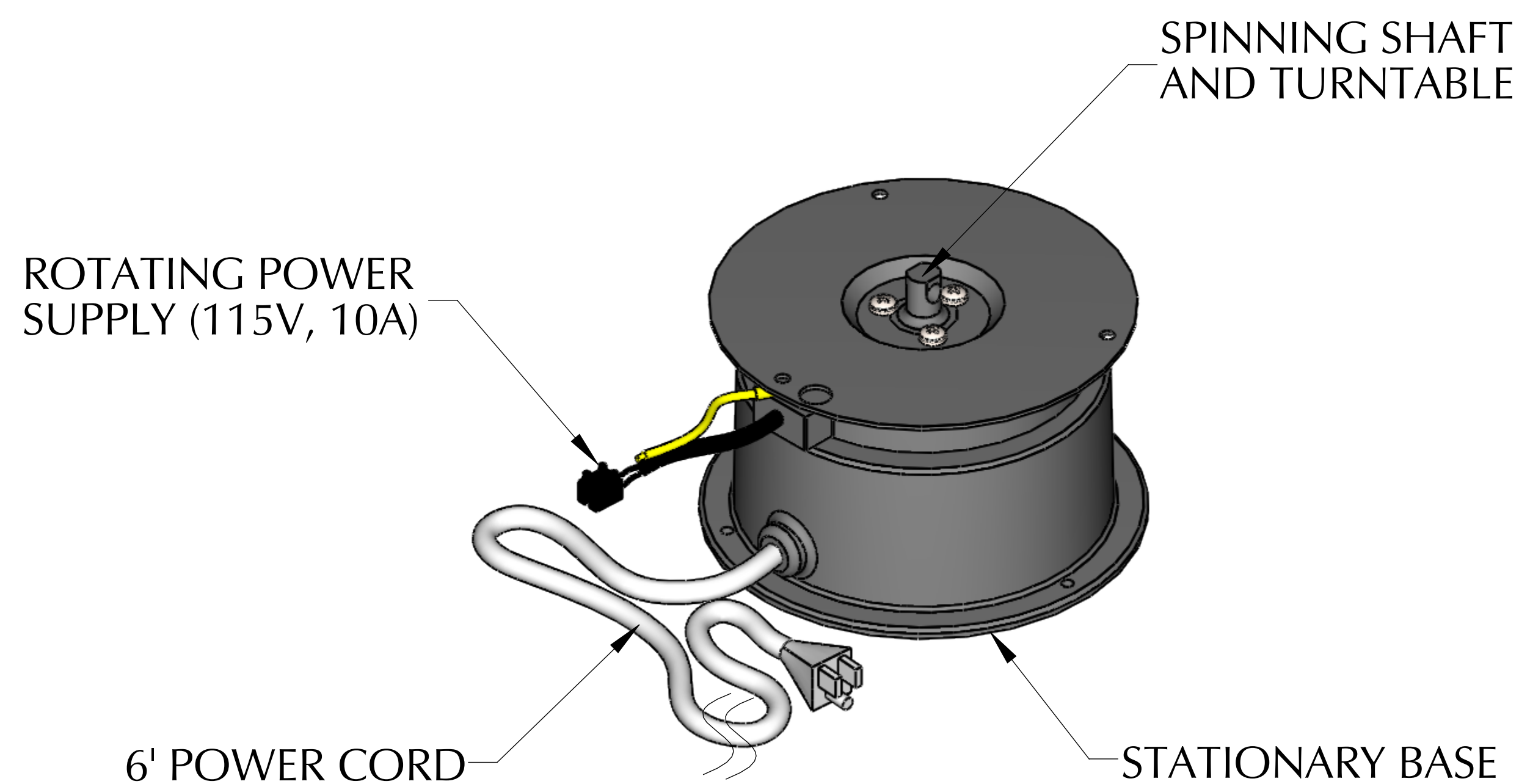
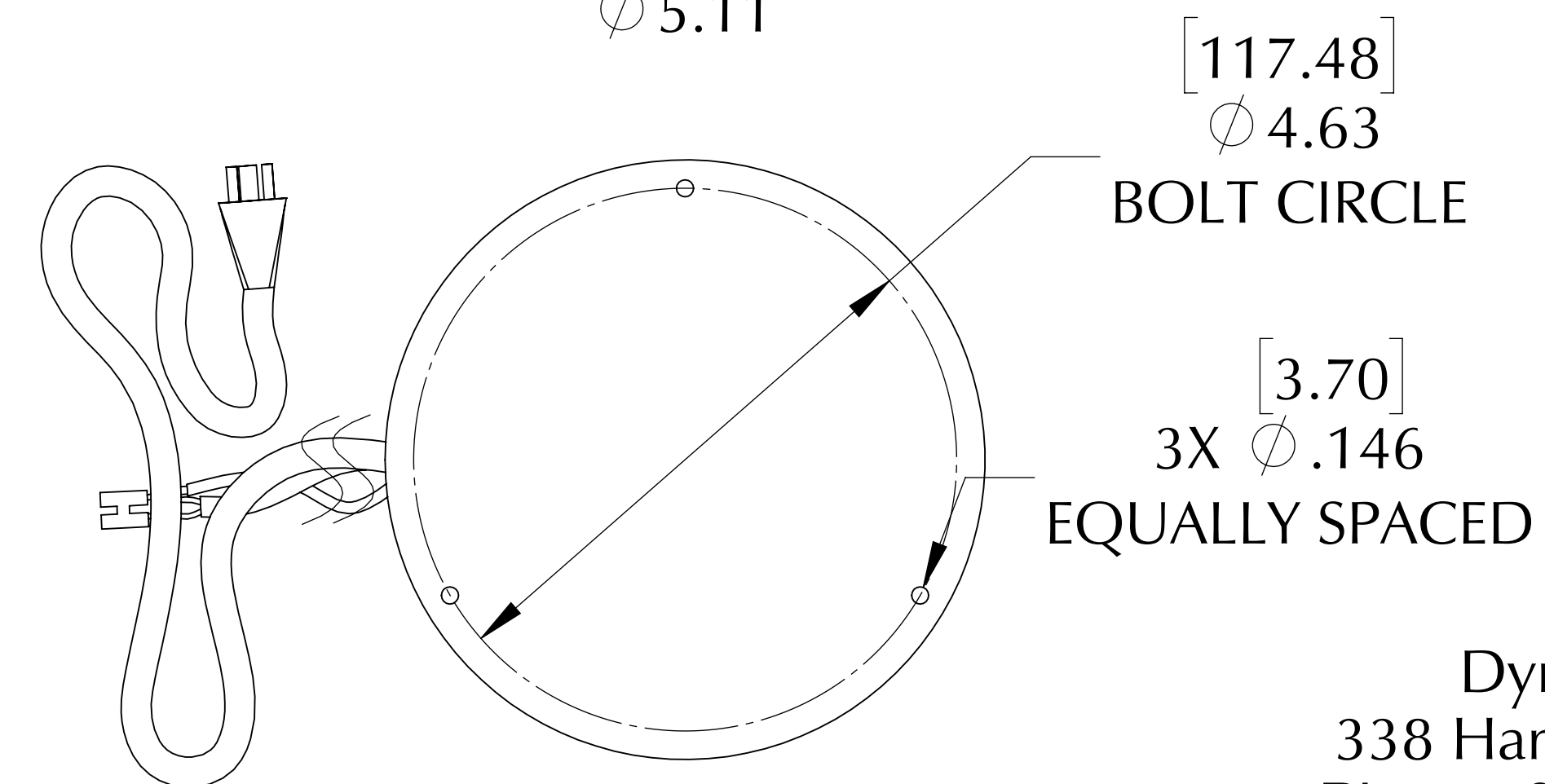
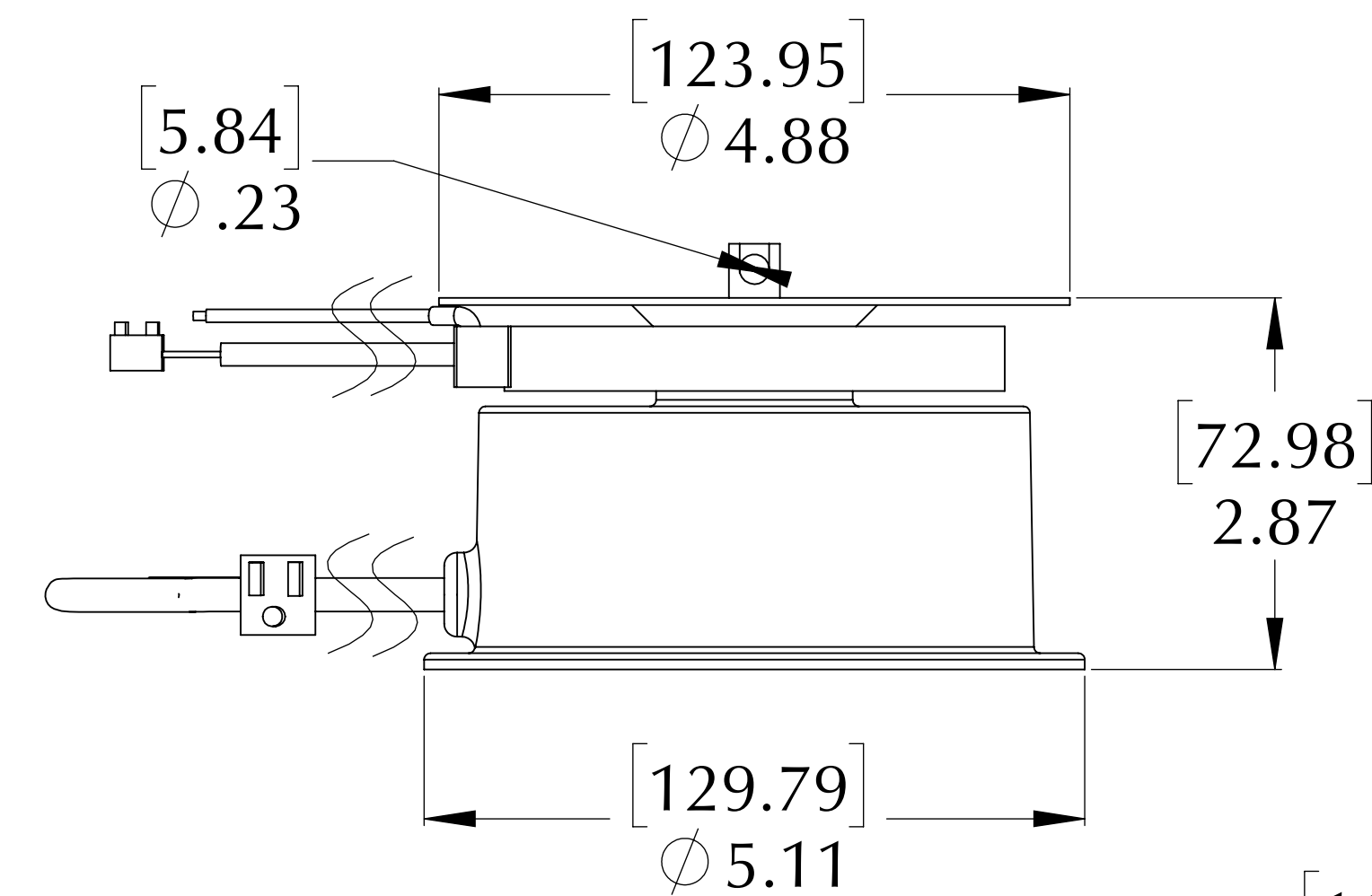
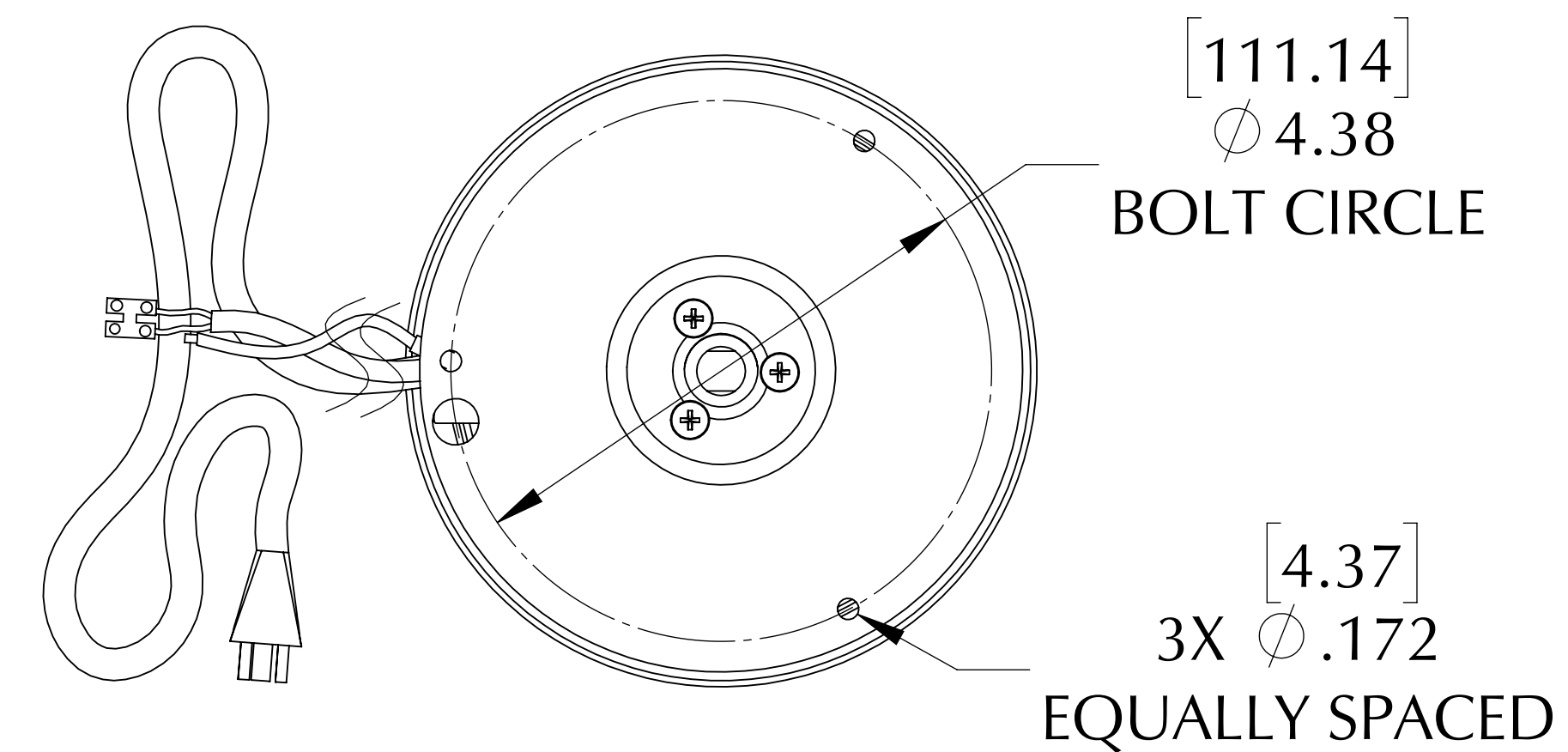


# M-40 HANG With Collector Ring

Part Number: 144120

Easily hang any object weighing less than 40 lbs. with the M-40 Hanger rotator. This unit comes equipped with a small hanger hook, a 6-foot power supply cord, and a safety clutch to prevent damage to the motor when turning motion is obstructed. Ideal for hanging disco balls or small hanging banners.

Hanging Weight Capacity.....40 lbs [18.1 kg]  
 Compressive Weight Capacity.....40 lbs [18.1 kg]  
 Max Display Size.....5' x 5' [1.5m x 1.5m]  
 Standard RPM.....2.5  
 Torque Output @ 2 RPM.....3.5 in-lbs [0.4 Nm]  
 Motor Draw.....0.02A (3 watts)  
 Safety Clutch.....Standard Feature  
 Collector Ring Capacity.....10A at 115 V  
 Shipping Weight.....3 lbs [1.3 kg]



Dynapac Rotating Company Inc.  
 338 Hansen Ave., Salt Lake City, UT 84115  
 Phone: 801-485-2221 • Fax: 801-485-2254  
 email: [info@dynapacrotating.com](mailto:info@dynapacrotating.com) • [www.dynapacrotating.com](http://www.dynapacrotating.com)