

# Model M-40 Hang

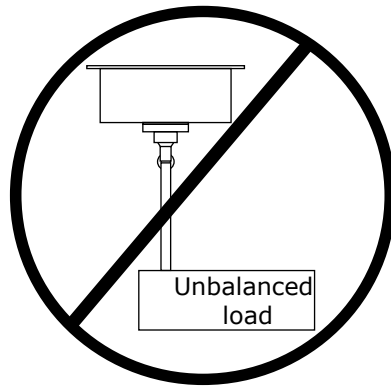
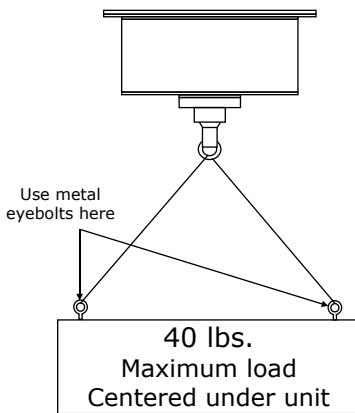
## Installation and Maintenance Instructions

Questions? Call 800-657-2650 for help

### For ALL installations:

- Display or sign load MUST be balanced.
- Do NOT exceed rated capacity of unit.

### Display or Sign hanging from Rotator:



- Max hanging weight = 40 lbs
- Eyebolts can be added for rigging.
- Hanging load MUST be balanced and centered under unit.
- Use wire rope to allow hanging sign to self-balance.
- Do NOT allow bare wire rope to rub on hook.
- Wire rope should be protected by an eyebolt to prevent fraying or failure.

### Maintenance:



No regular maintenance is required for this unit.



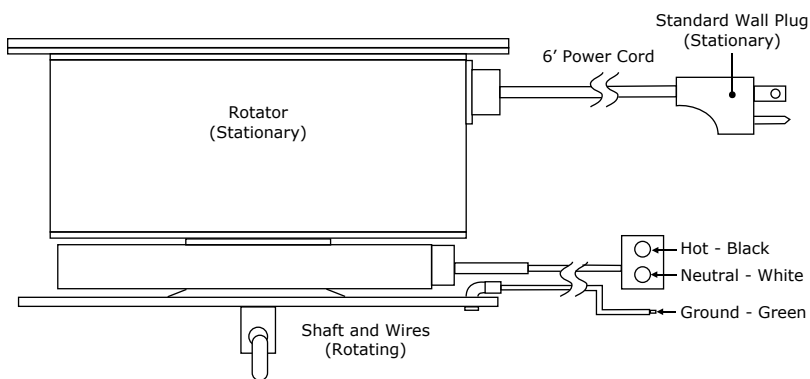
Phone: 800-657-2650  
Email: [info@dynapacrotating.com](mailto:info@dynapacrotating.com)  
[www.dynapacrotating.com](http://www.dynapacrotating.com)

# Model M-40 Hang Electrical Connections

Questions? Call 800-657-2650 for help

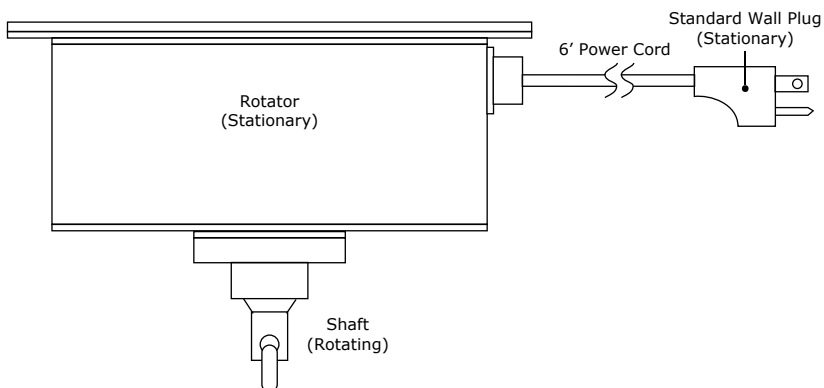
<b>⚠ WARNING</b>	
	Disconnect power before servicing or installing. Do not touch any electrical components while unit is connected to power source.
	Keep hands clear while operating. Read installation and maintenance instructions prior to operation.

## Unit with rotating wires:



- **WARNING!** Electrical components are live when unit is plugged in.
- Do NOT exceed rated electrical capacity of unit. (See label on unit.)
- Attach display wires to rotating turntable wires.
- Plug unit into wall to begin rotating.
- Motor power draw = .002 A (3 watts)
- No power switch on unit.

## Unit without rotating wires:



- No rotating electrical wires are available.
- Plug unit into wall to begin rotating.
- Motor power draw = 0.02 A (3 watts)
- No power switch on unit.

