

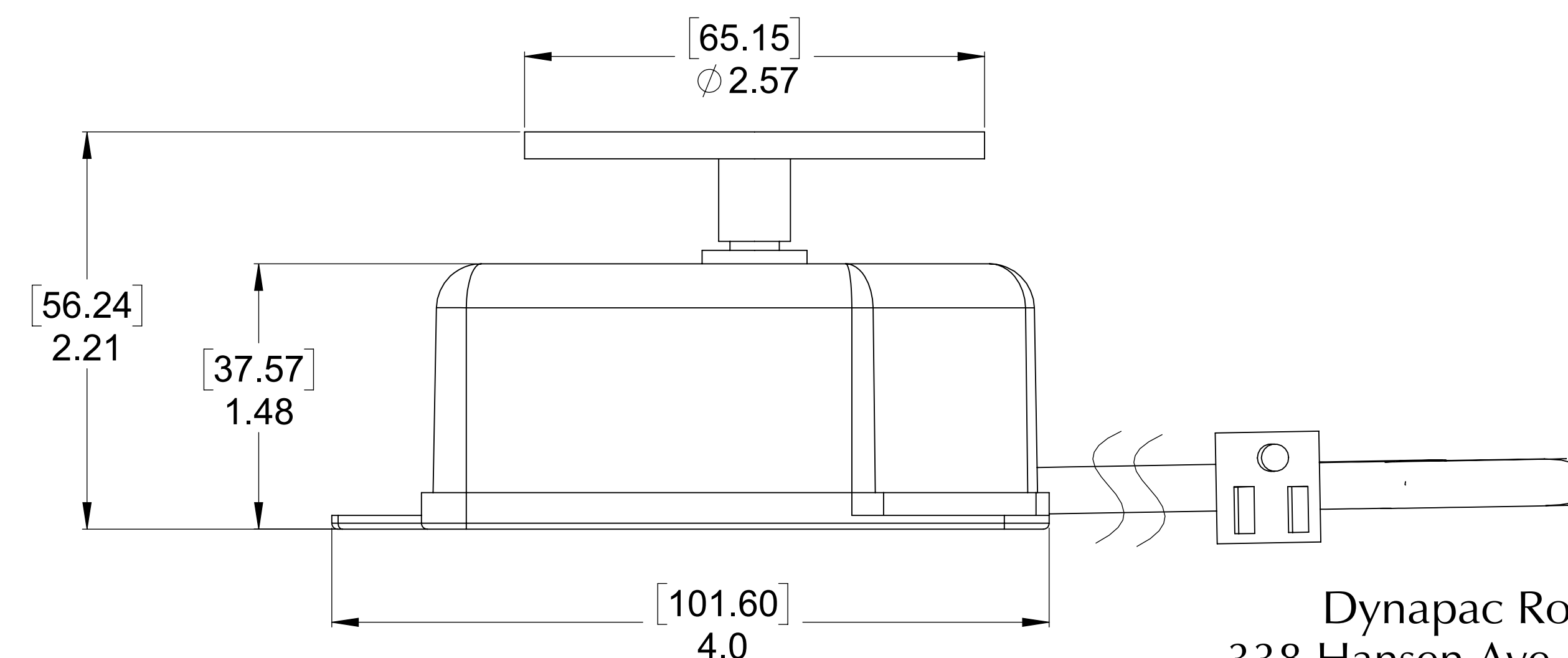
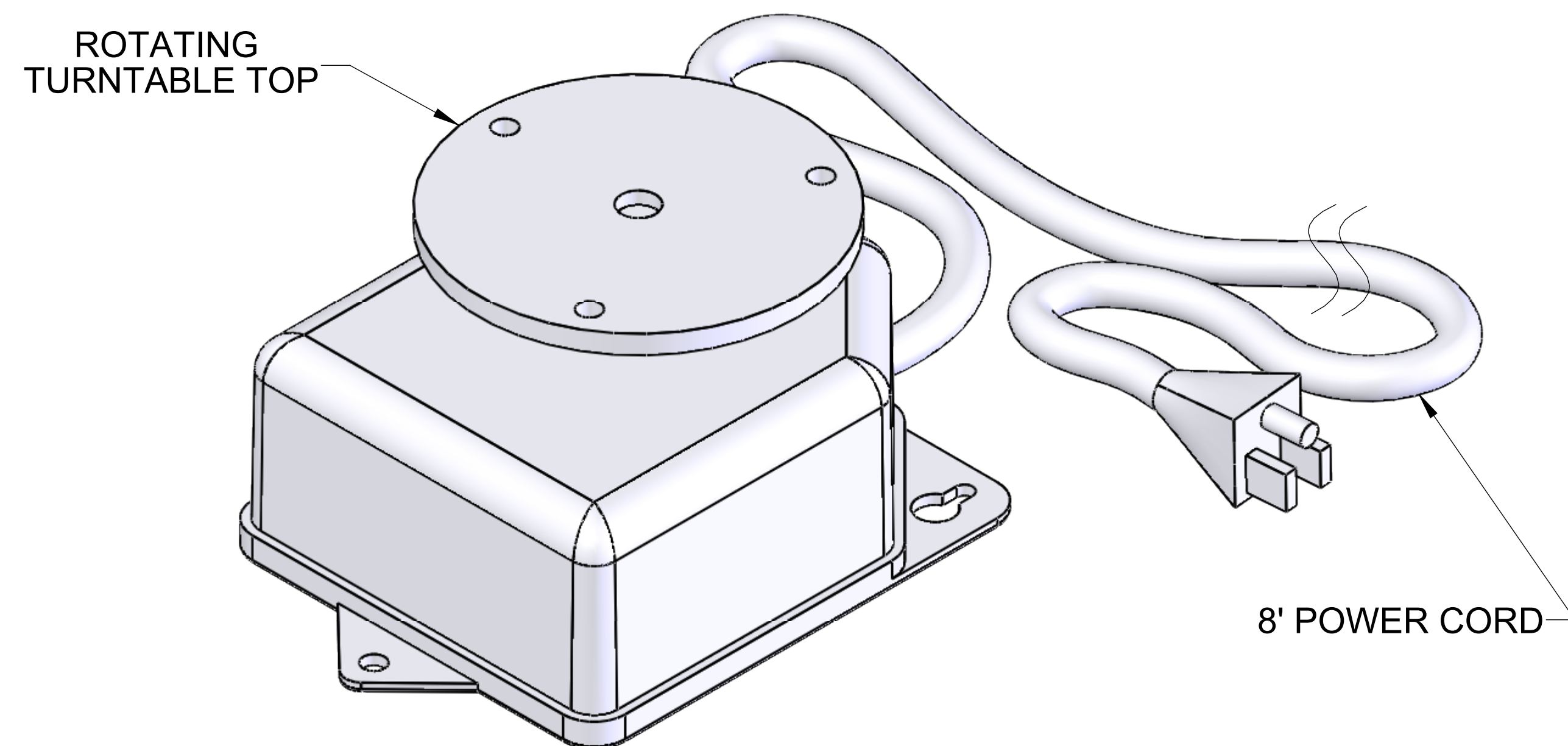
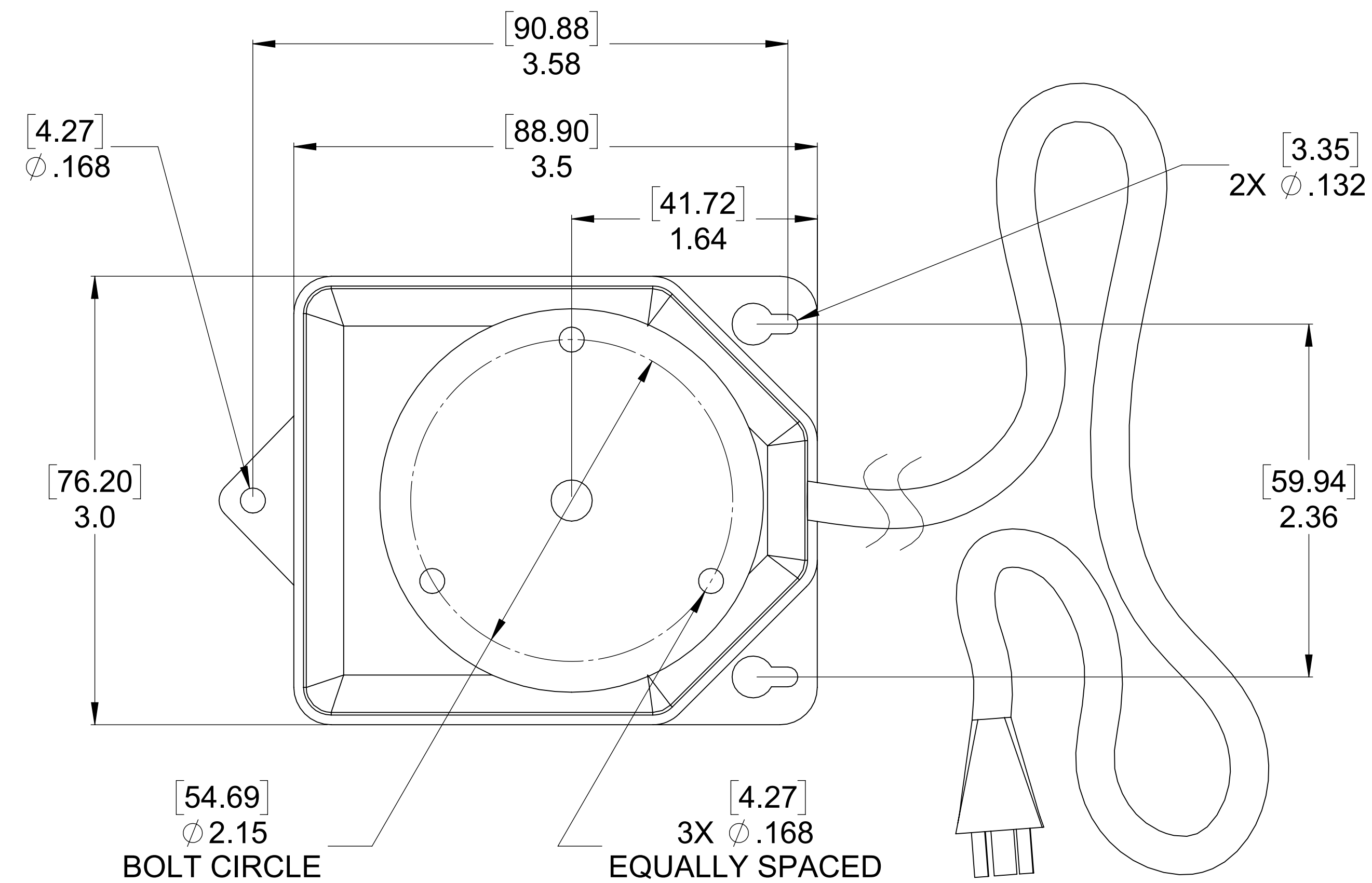


M-2

Part Number: 144113

The smallest frame-style rotator that we offer is the M-2 which is capable of rotating 2 lbs. This small unit features an 8-foot power cord and a safety clutch to prevent damage to the motor when turning motion is obstructed. Ideal for very small Point of Purchase displays.

- Hanging Weight Capacity.....none
- Compressive Weight Capacity.....2 lbs [0.9 kg]
- Max Display Size.....0.5' x 0.5' [15cm x 15cm]
- Standard RPM.....2.5
- Torque Output @ 2.5 RPM.....6 in-lbs [0.67 Nm]
- Shipping Weight.....2 lbs [0.9 kg]



Dynapac Rotating Company Inc.
 338 Hansen Ave., Salt Lake City, UT 84115
 Phone: 801-485-2221 • Fax: 801-485-2254
 email: info@dynapacrotating.com • www.dynapacrotating.com