

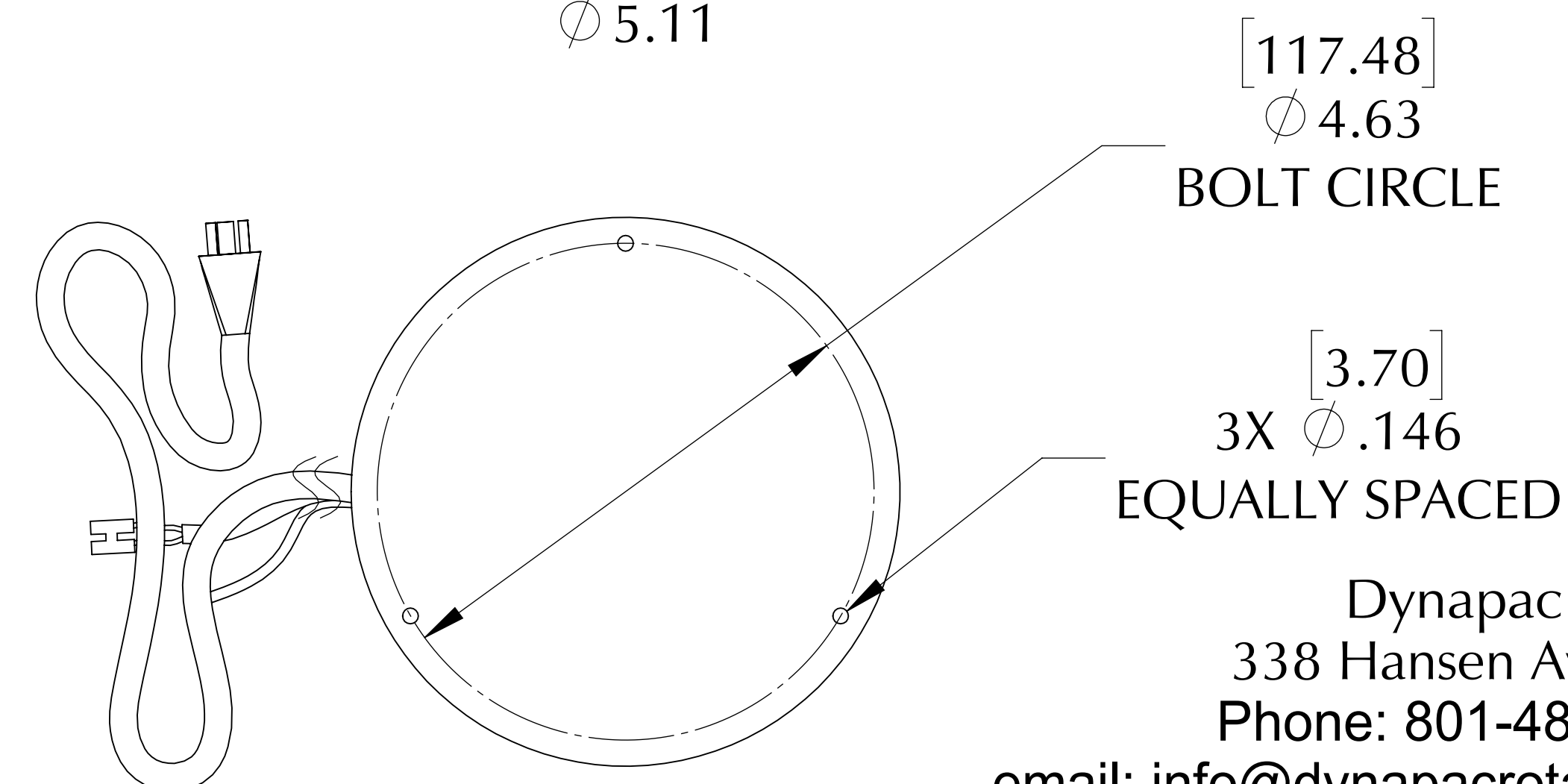
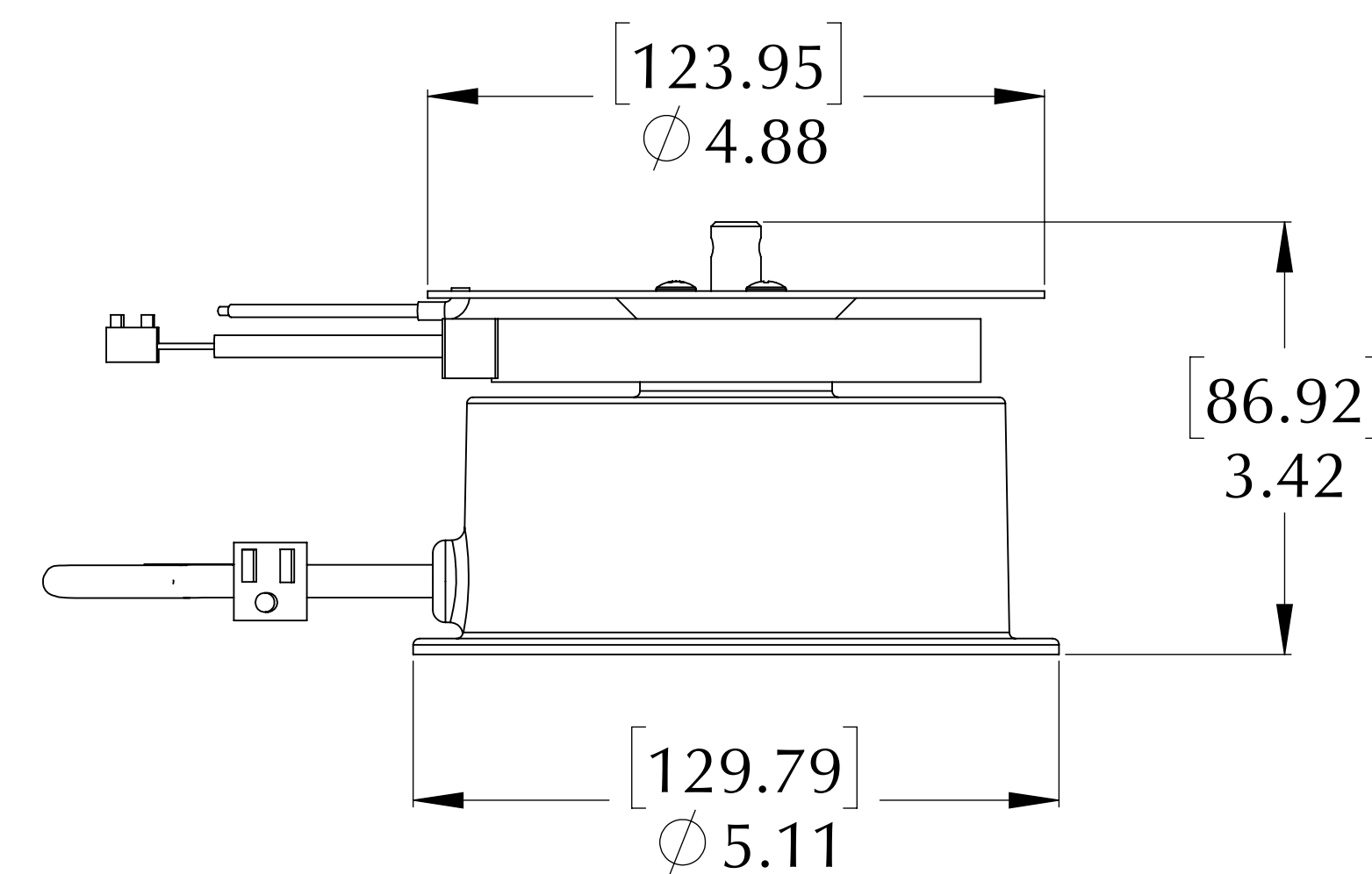
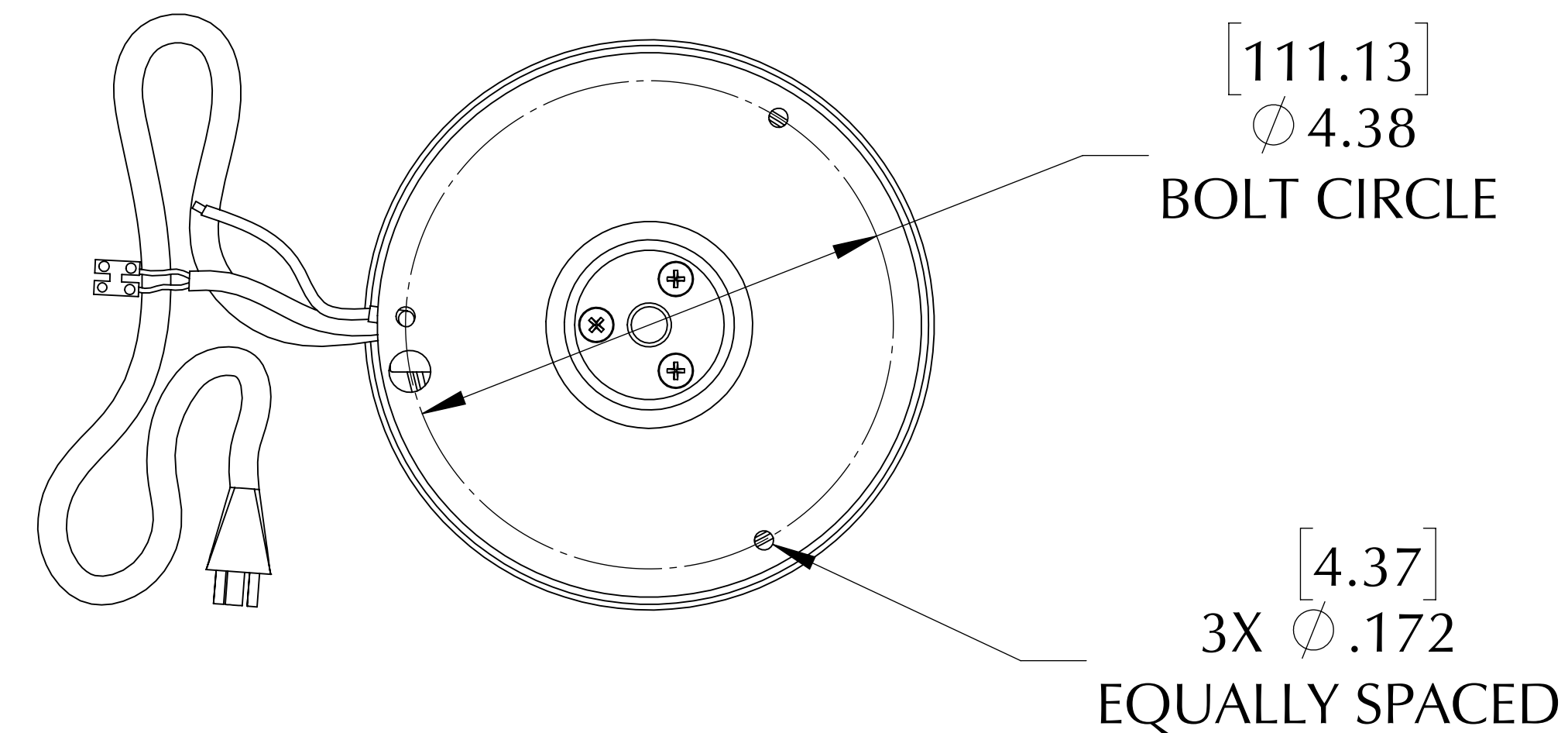


M-10 HANG With Collector Ring

Part Number: 144118

A hanging rotator that is designed for small, lightweight loads weighing less than 10 lbs. Great for signs, light balls, or any other objects that turn to attract attention. This unit includes a rotating power outlet for powered lights or devices in your rotating display. Comes with a 6 foot long power cord.

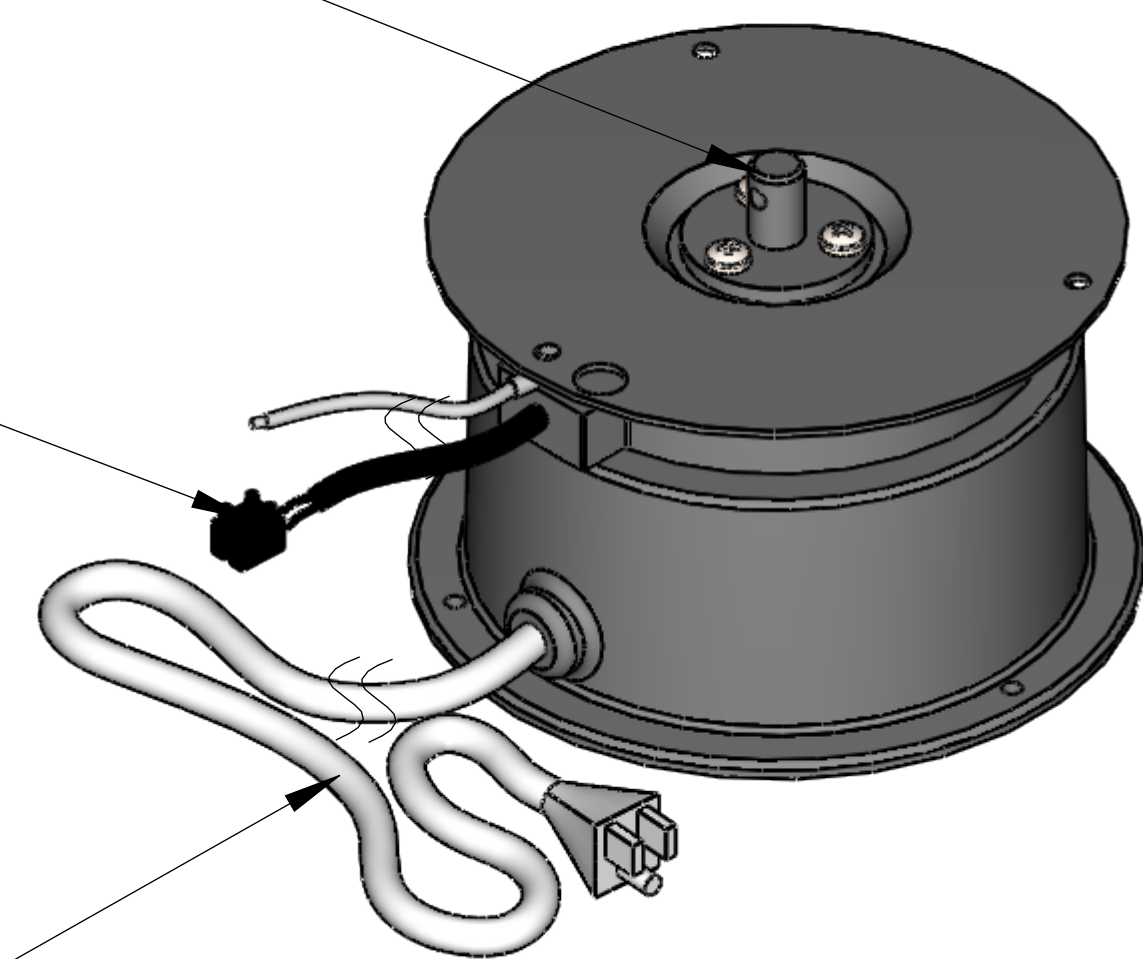
- Hanging Weight Capacity.....10 lbs [4.5 kg]
- Compressive Weight Capacity.....10 lbs [4.5 kg]
- Max Display Size.....3' x 3' [0.9m x 0.9m]
- Standard RPM.....2.5
- Torque Output @ 2 RPM.....3.5 in-lbs [.4 Nm]
- Motor Draw.....0.02A (2.4 watts)
- Safety Clutch.....Standard Feature
- Collector Ring Capacity.....10A at 115 V
- Shipping Weight.....3 lbs [1.4 kg]



ϕ 1/8" HOLE WITH ROUND "KEY RING" INSTALLED (KEY RING IS 5/8" DIAMETER, NOT PICTURED)

ROTATING POWER CORD
 110VAC 10 AMP OUTPUT

6' POWER CORD



Dynapac Rotating Company Inc.
 338 Hansen Ave., Salt Lake City, UT 84115
 Phone: 801-485-2221 • Fax: 801-485-2254
 email: info@dynapacrotating.com • www.dynapacrotating.com