

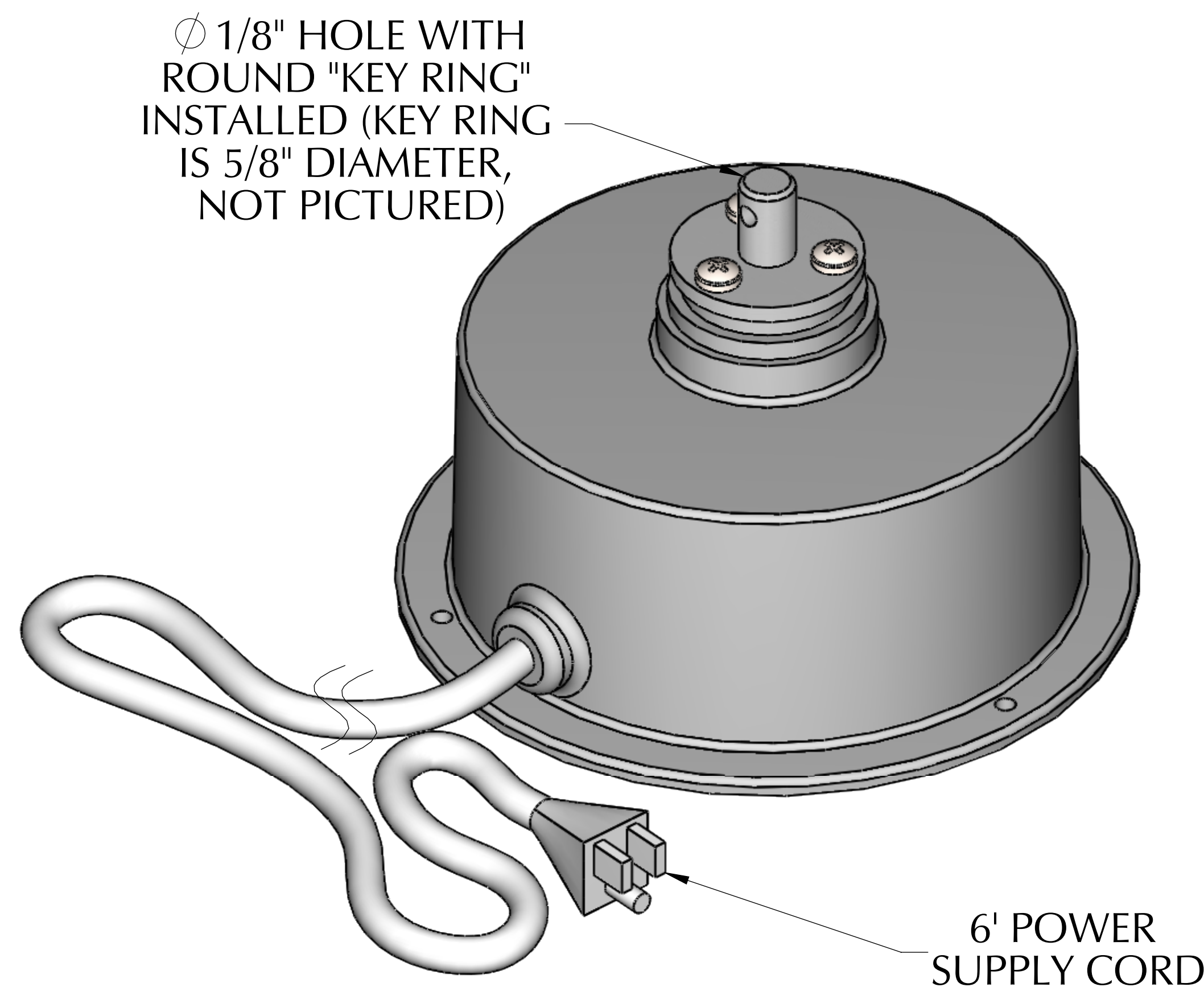
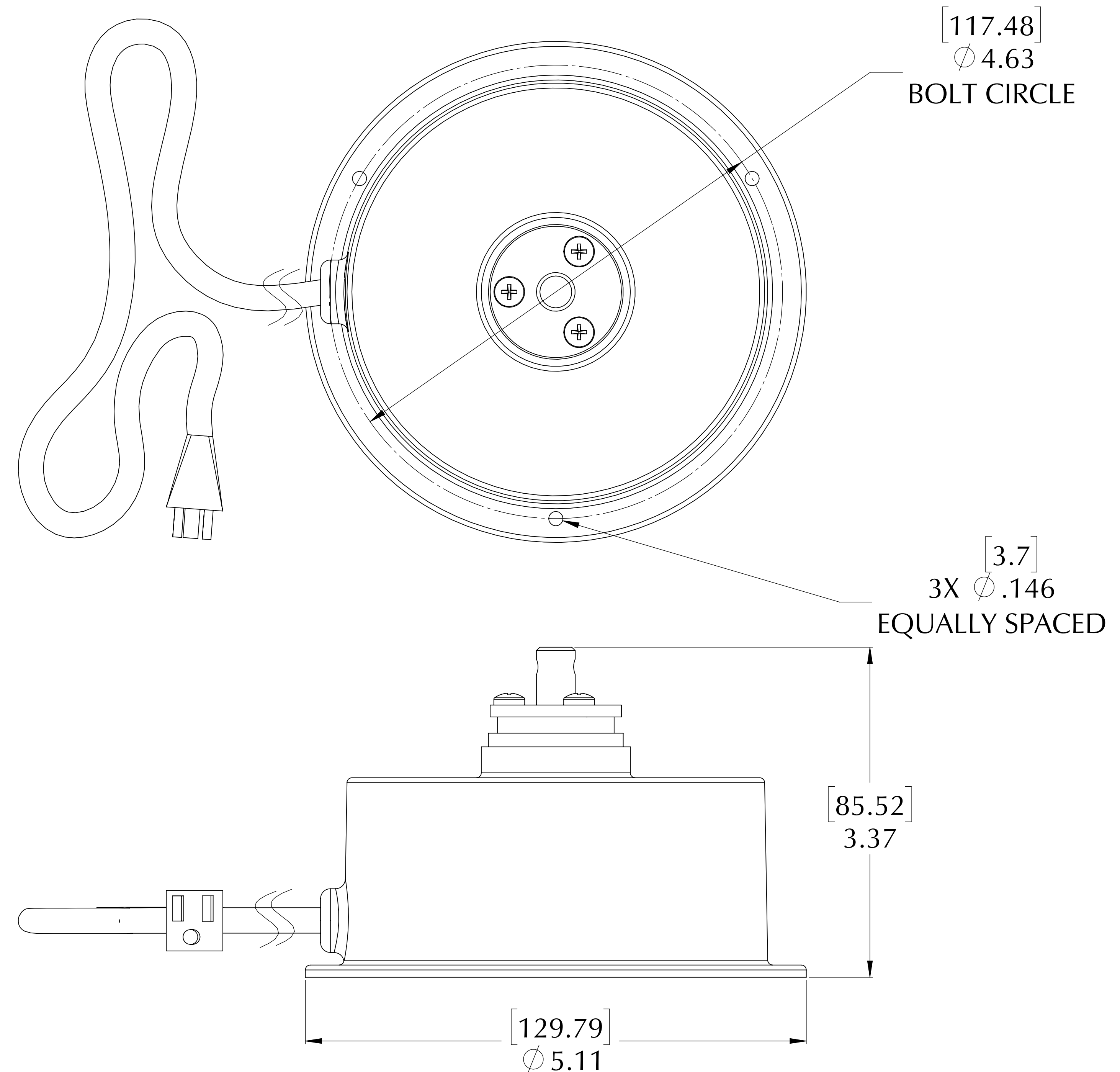


M-10 HANG Less Collector Ring

Part Number: 144117

A hanging rotator that is designed for small, lightweight loads weighing less than 10 lbs. Great for signs, small displays, or any other objects that turn to attract attention. Comes with a 6 foot long power cord.

Hanging Weight Capacity.....	10 lbs [4.5 kg]
Compressive Weight Capacity.....	10 lbs [4.5 kg]
Max Display Size.....	3' x 3' [91cm x 91cm]
Standard RPM.....	2.5
Torque Output @ 2 RPM.....	3.5 in-lbs [0.4 Nm]
Motor Draw.....	0.02 A (2.3 watts)
Safety Clutch.....	Standard Feature
Shipping Weight.....	3 lbs [1.4 kg]



Dynapac Rotating Company Inc.
338 Hansen Ave., Salt Lake City, UT 84115
Phone: 801-485-2221 • Fax: 801-485-2254
email: info@dynapacrotating.com • www.dynapacrotating.com