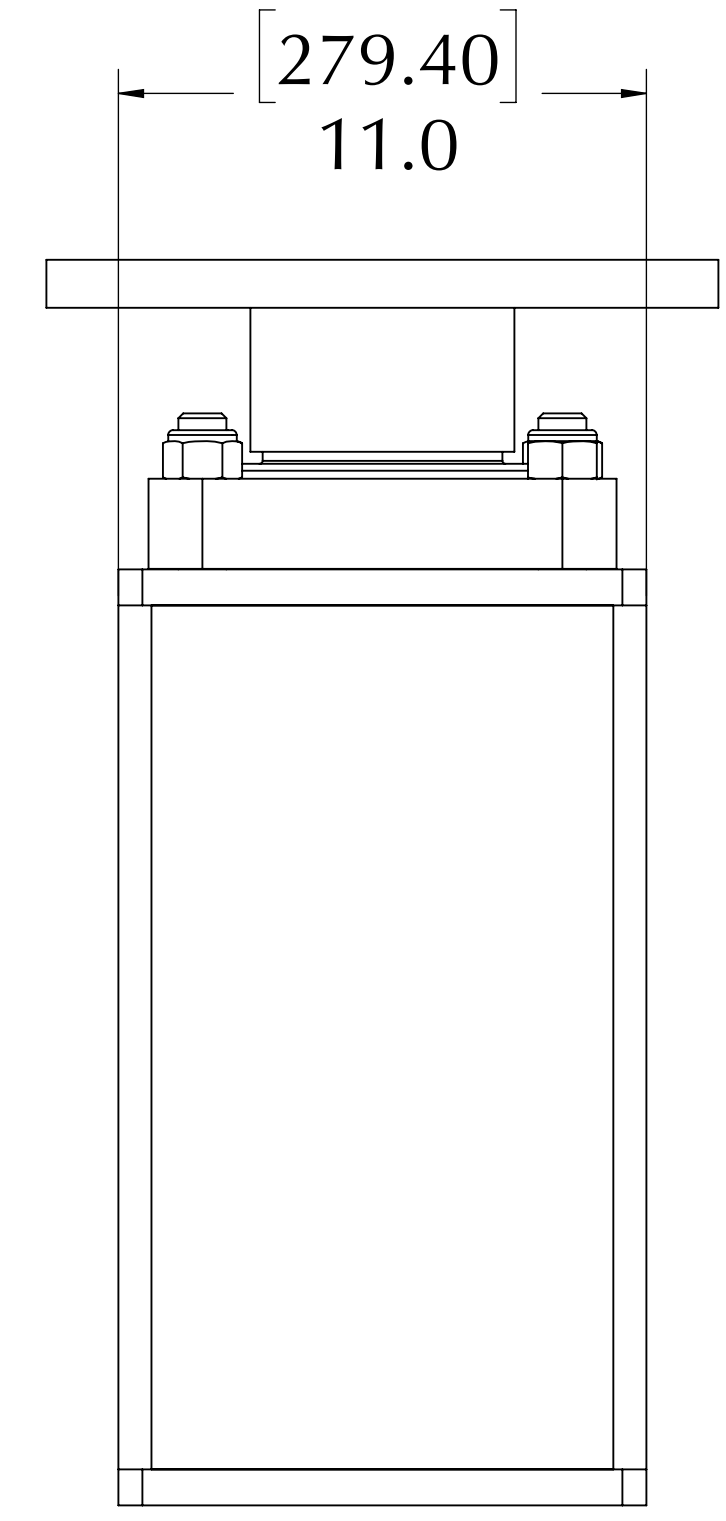
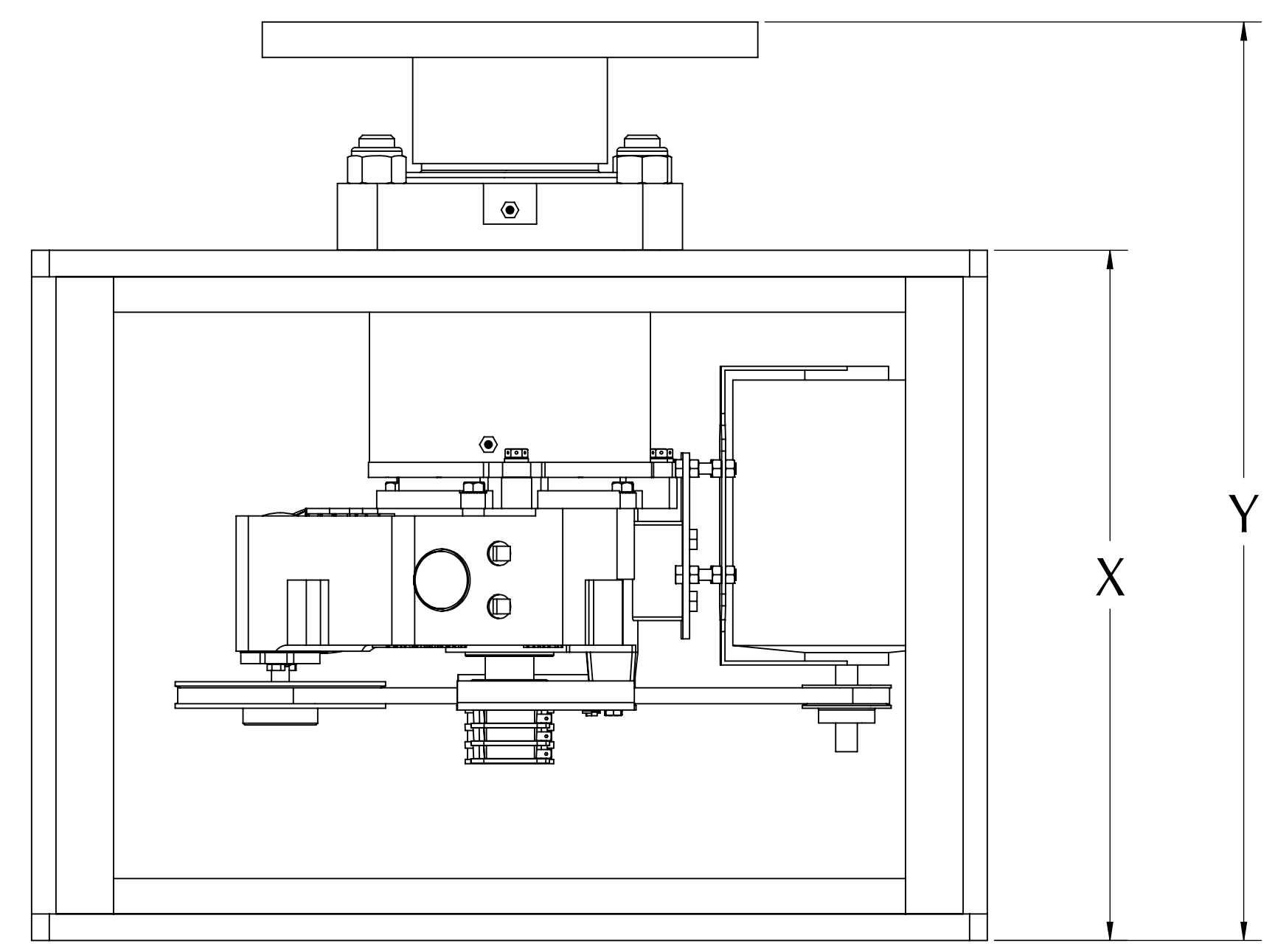
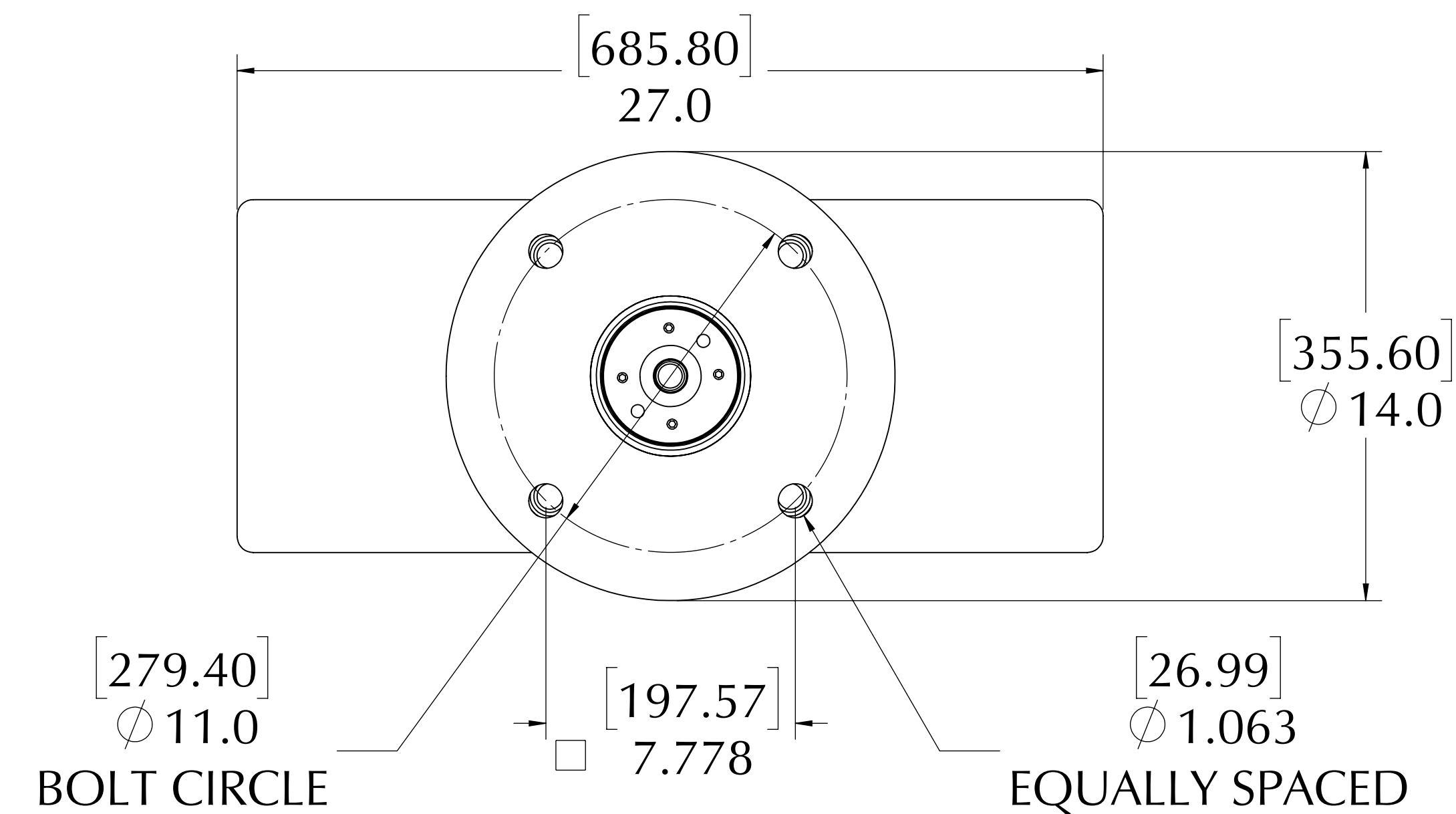
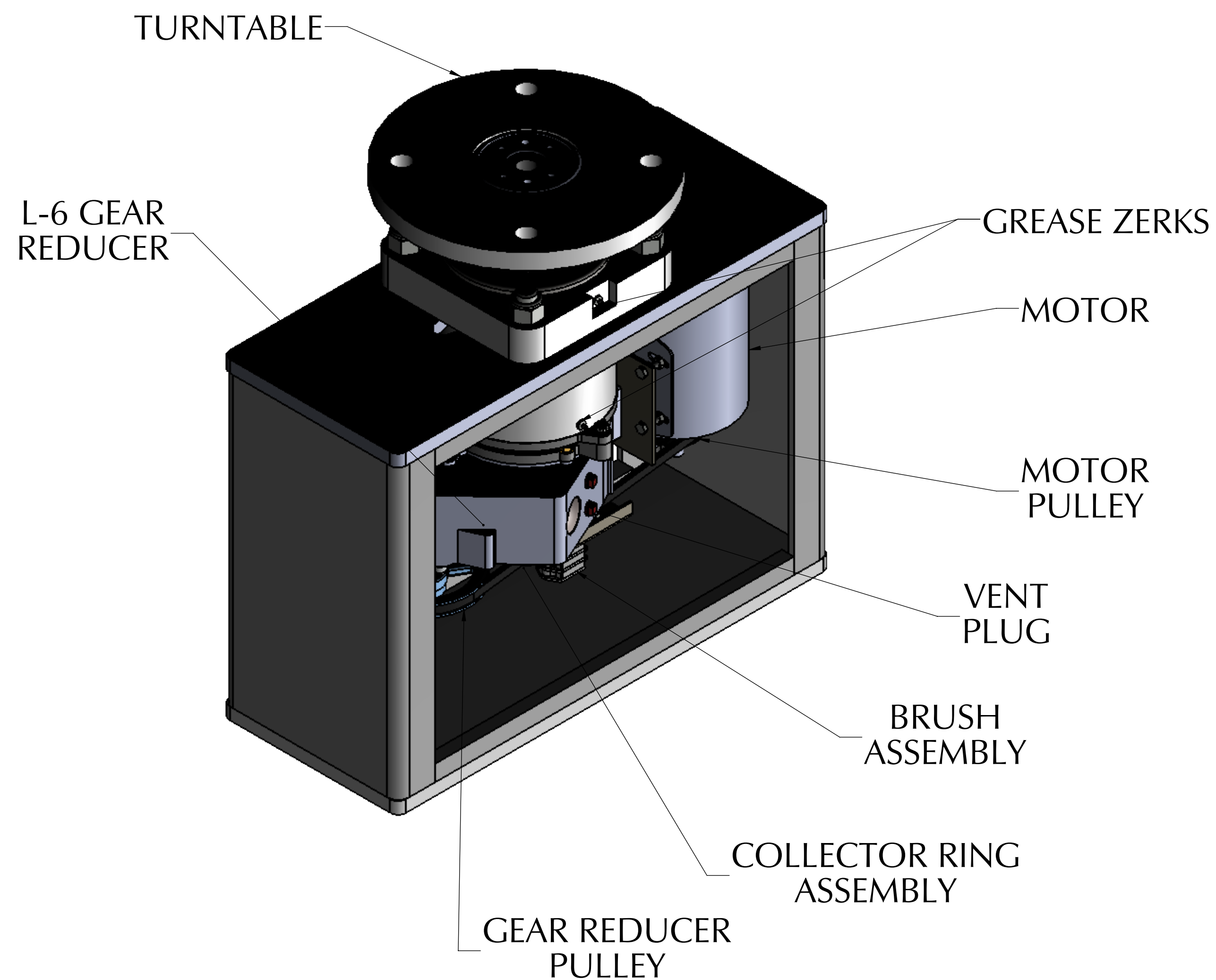




L-350

Part Number: 136003 341

Hanging Weight Capacity.....8400 lbs [3810 kg]
 Compressive Weight Capacity.....8400 lbs [3810 kg]
 Max Display Size.....Contact Dynapac
 Standard RPM.....4
 Torque Output @ 4 RPM.....350 ft-lbs [474.5 Nm]
 Motor Draw.....12 A (1440 watts)
 Safety Clutch.....Standard Feature
 Collector Ring Capacity.....15A at 115 V
 Shipping Weight.....425 lbs [192.7 kg]



	X	Y
STANDARD FRAME	19.50" [495.30mm]	25.89" [657.56mm]
EXTENDED FRAME	25.50" [647.70mm]	31.89" [809.96mm]

NOTE: MAX COLLECTOR RINGS ON STANDARD UNIT IS 8.

Dynapac Rotating Company Inc.
 338 Hansen Ave., Salt Lake City, UT 84115
 Phone: 801-485-2221 • Fax: 801-485-2254
 email: info@dynapacrotating.com • www.dynapacrotating.com