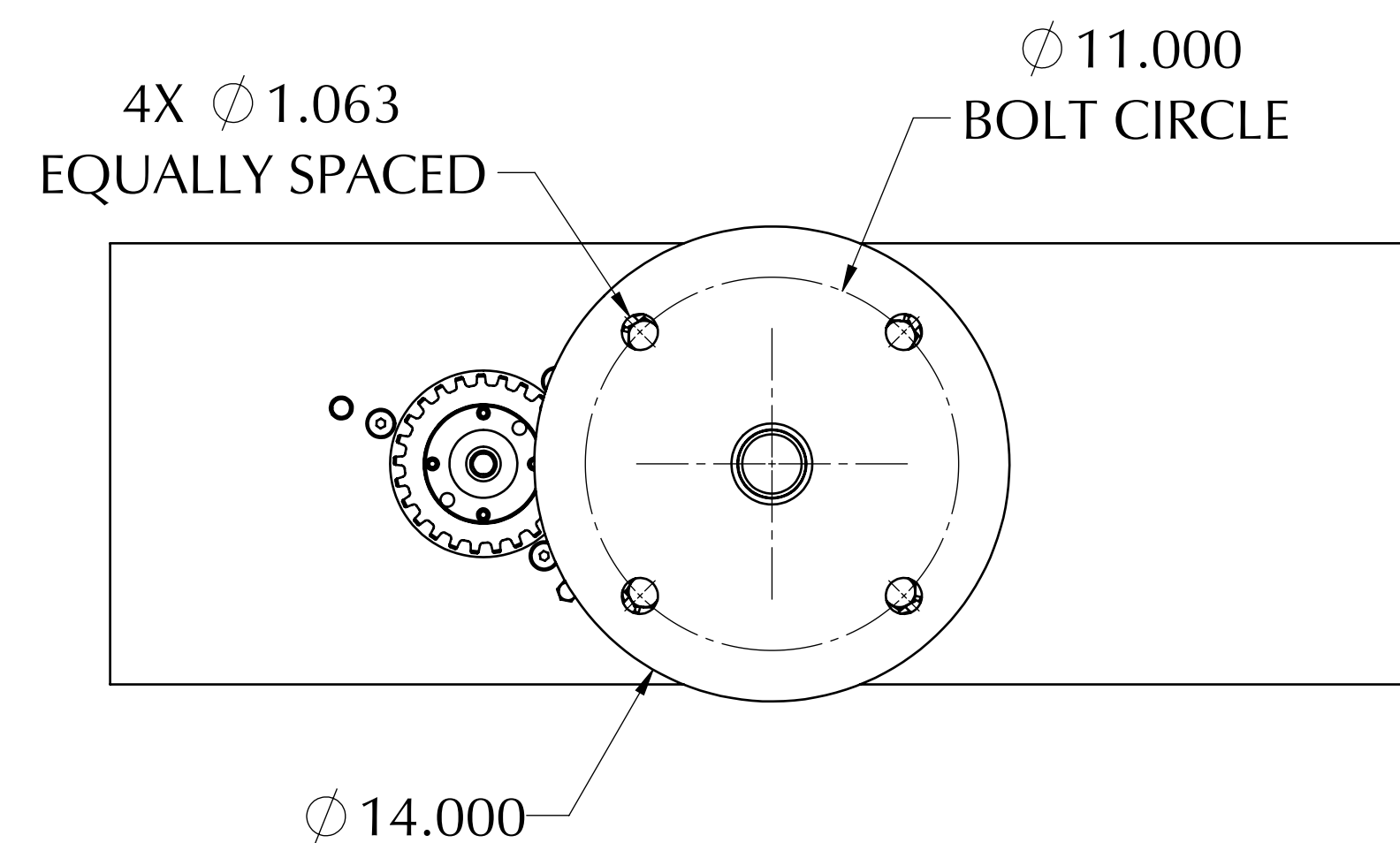
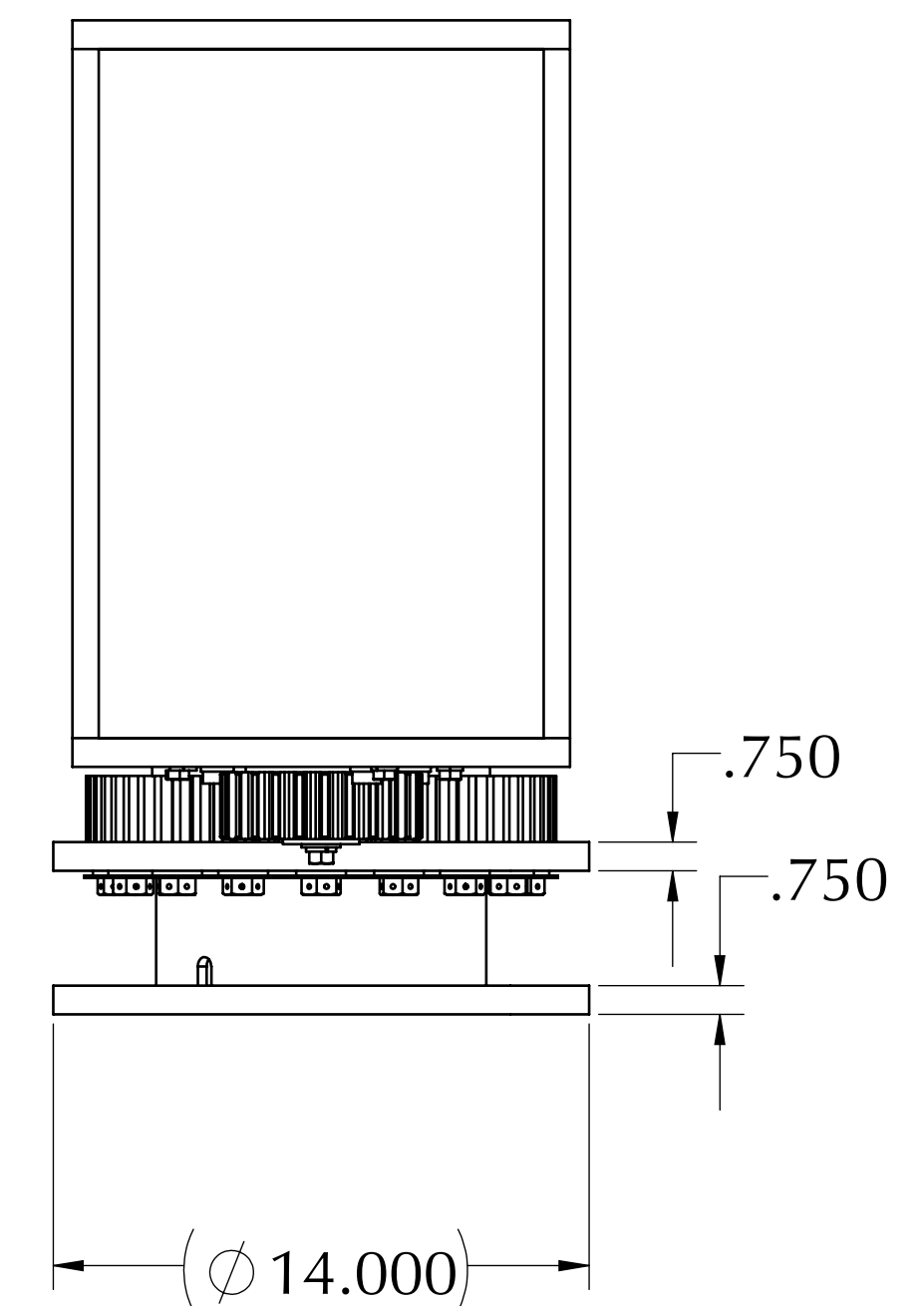
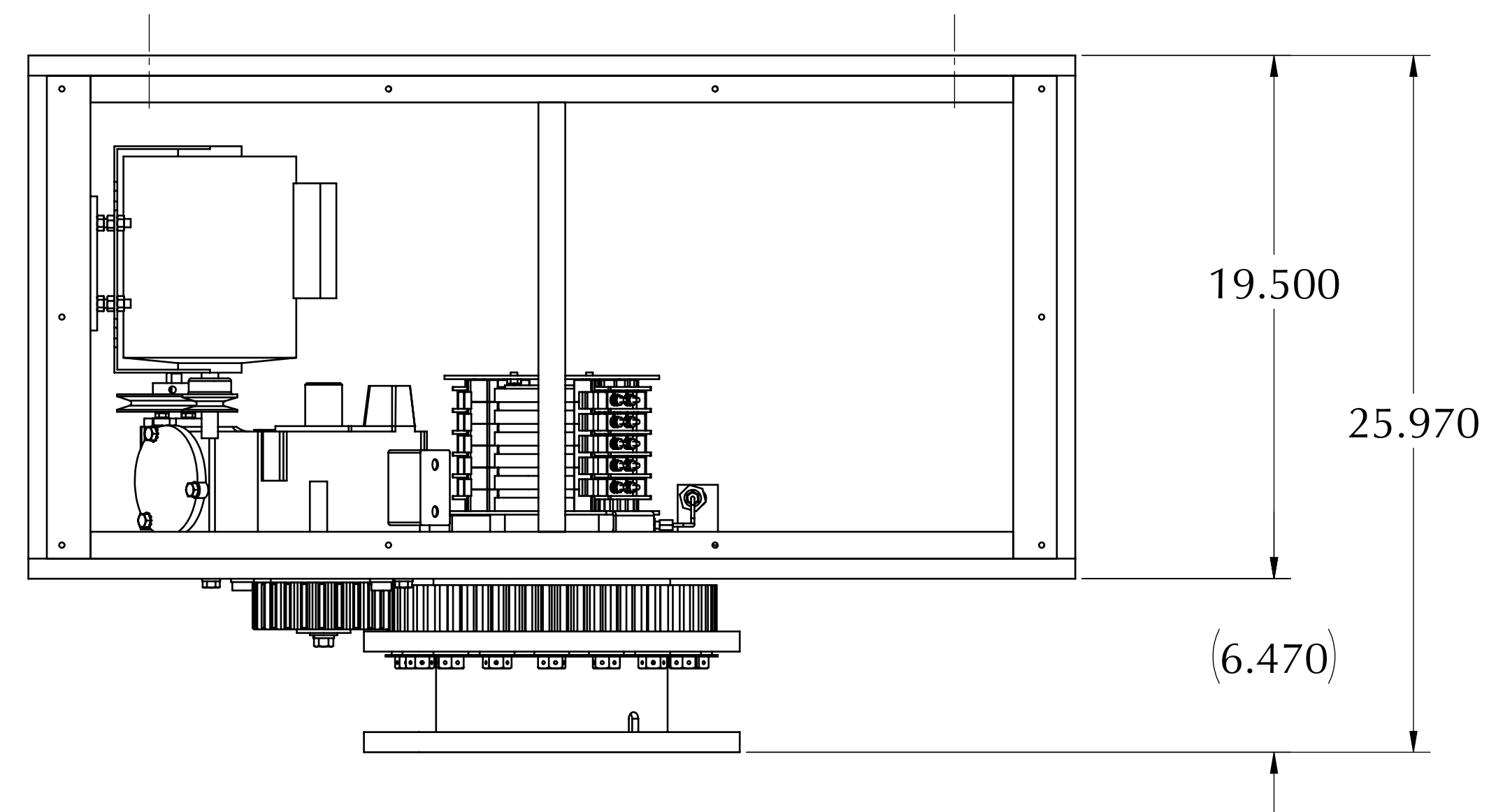
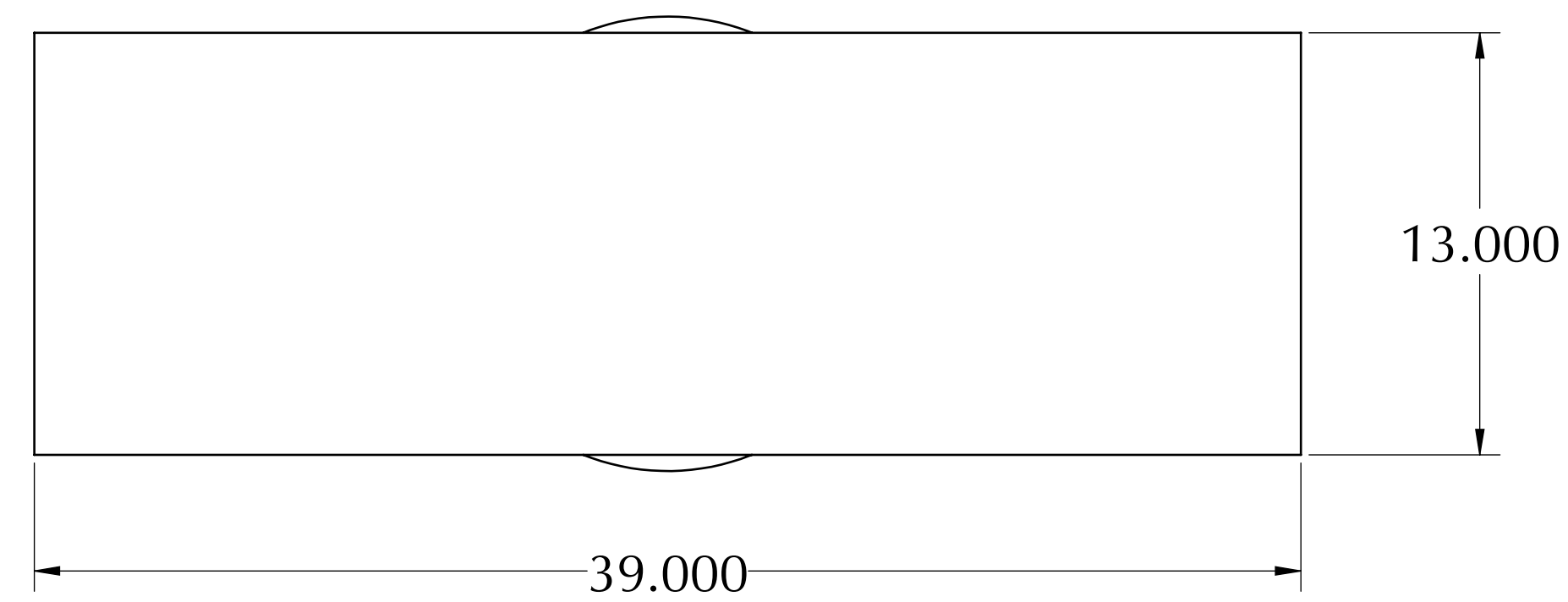
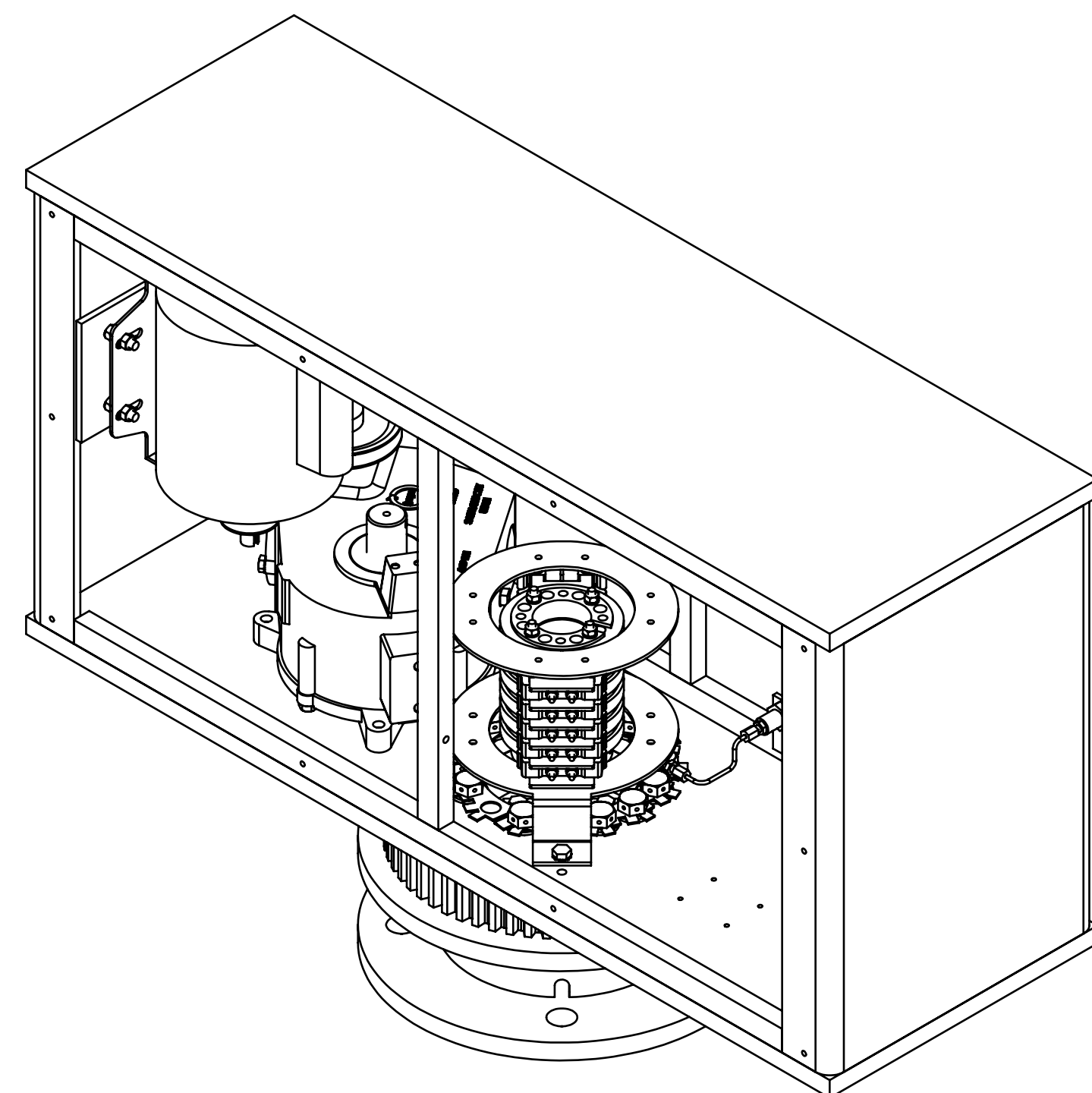




L-300G

Part Number: 136025 521

Hanging Weight Capacity.....8400 lbs [3810 kg]
 Compressive Weight Capacity.....8400 lbs [3810 kg]
 Max Bending Capacity.....19000 ft-lbs [25760 Nm]
 Max Shear Capacity.....10000 lbf [44482 N]
 Max Display Size.....Contact Dynapac
 Standard RPM.....2
 Torque Output @ 2 RPM.....700 ft-lbs [949 Nm]
 Motor Draw.....12 A (1440 watts)
 Safety Clutch.....Standard Feature
 Collector Ring Capacity.....15A at 115 V
 Shipping Weight.....515 lbs [234 kg]



Dynapac Rotating Company Inc.
 338 Hansen Ave., Salt Lake City, UT 84115
 Phone: 801-485-2221 • Fax: 801-485-2254
 email: info@dynapacrotating.com • www.dynapacrotating.com