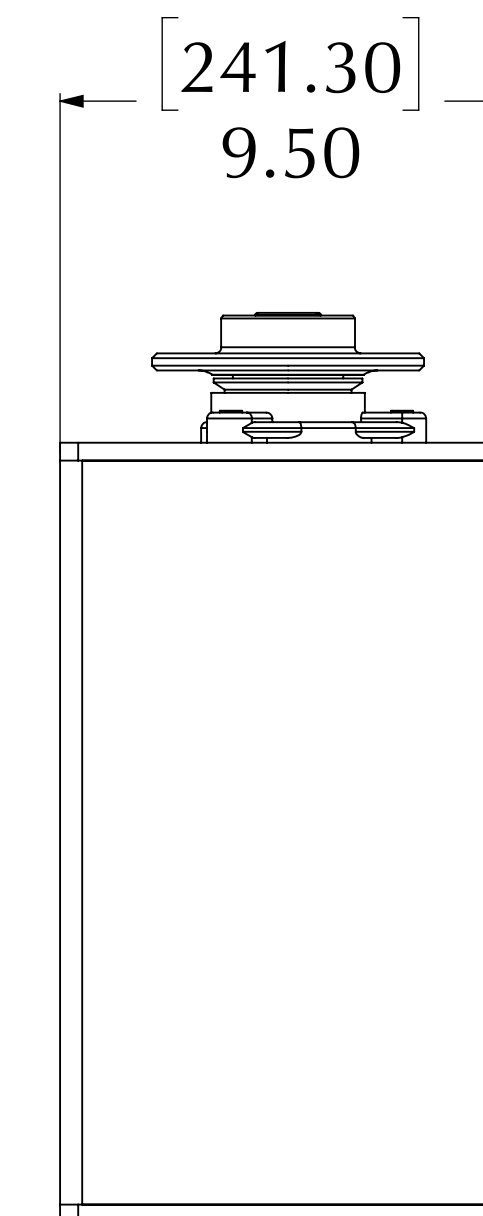
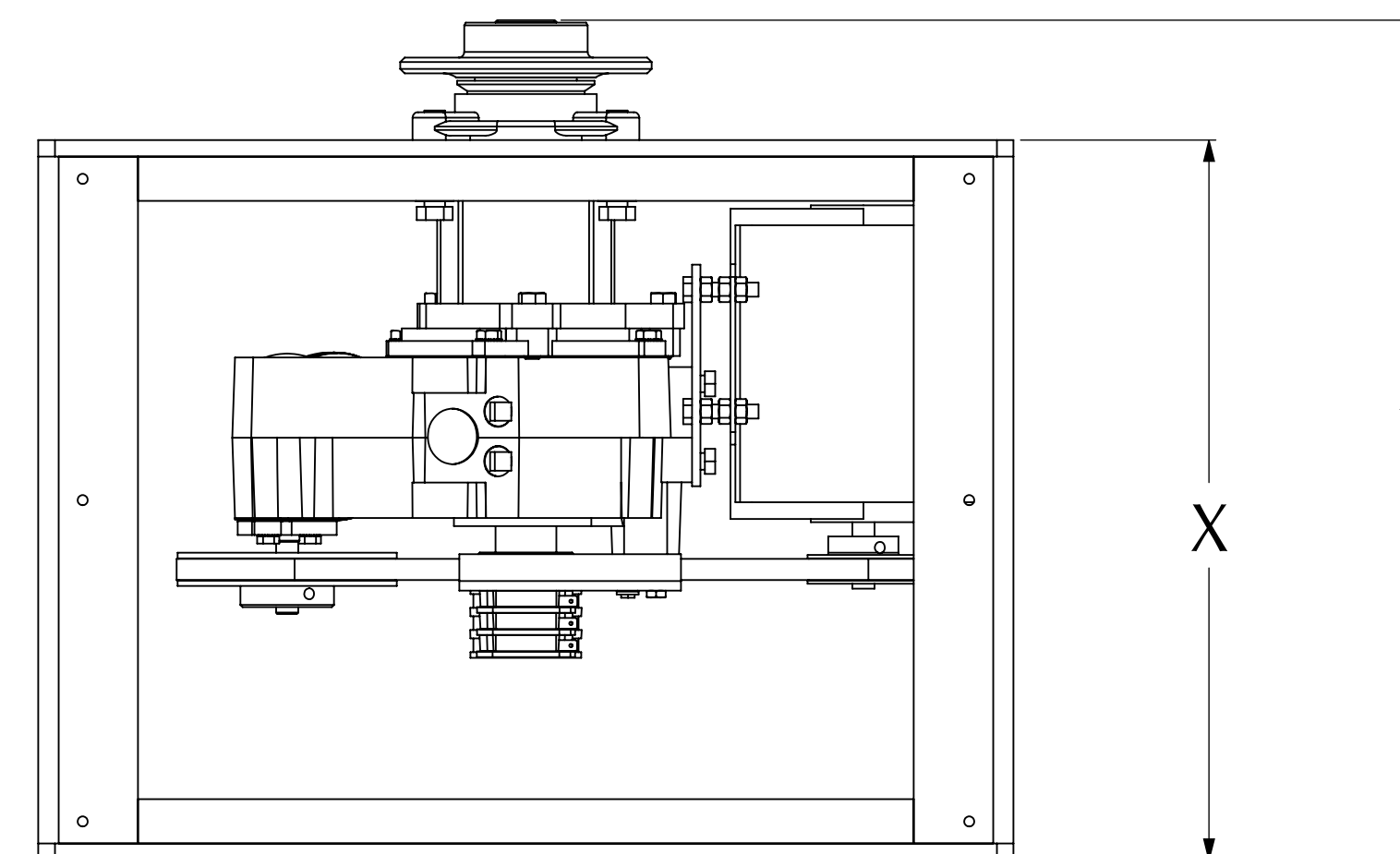
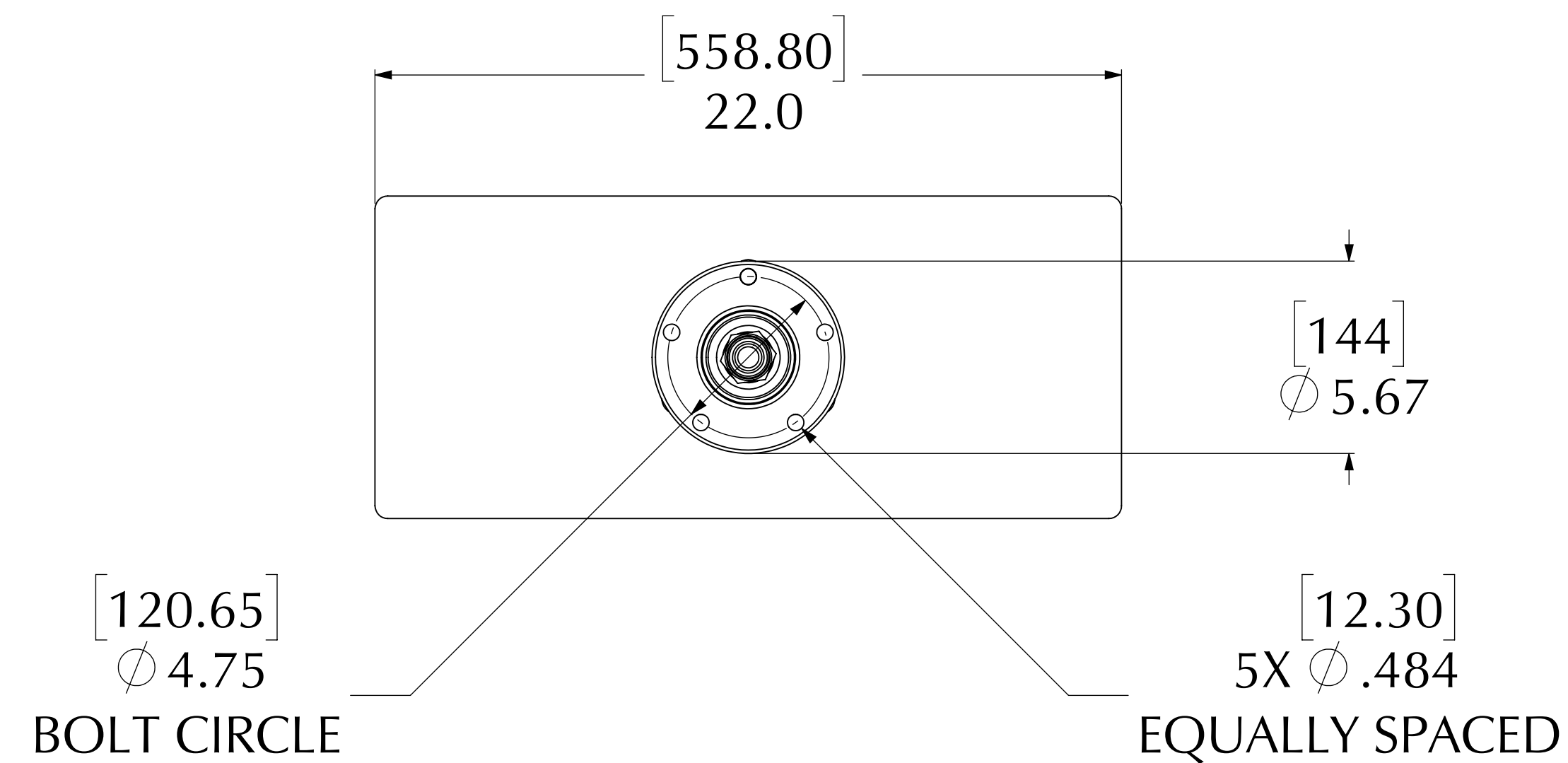
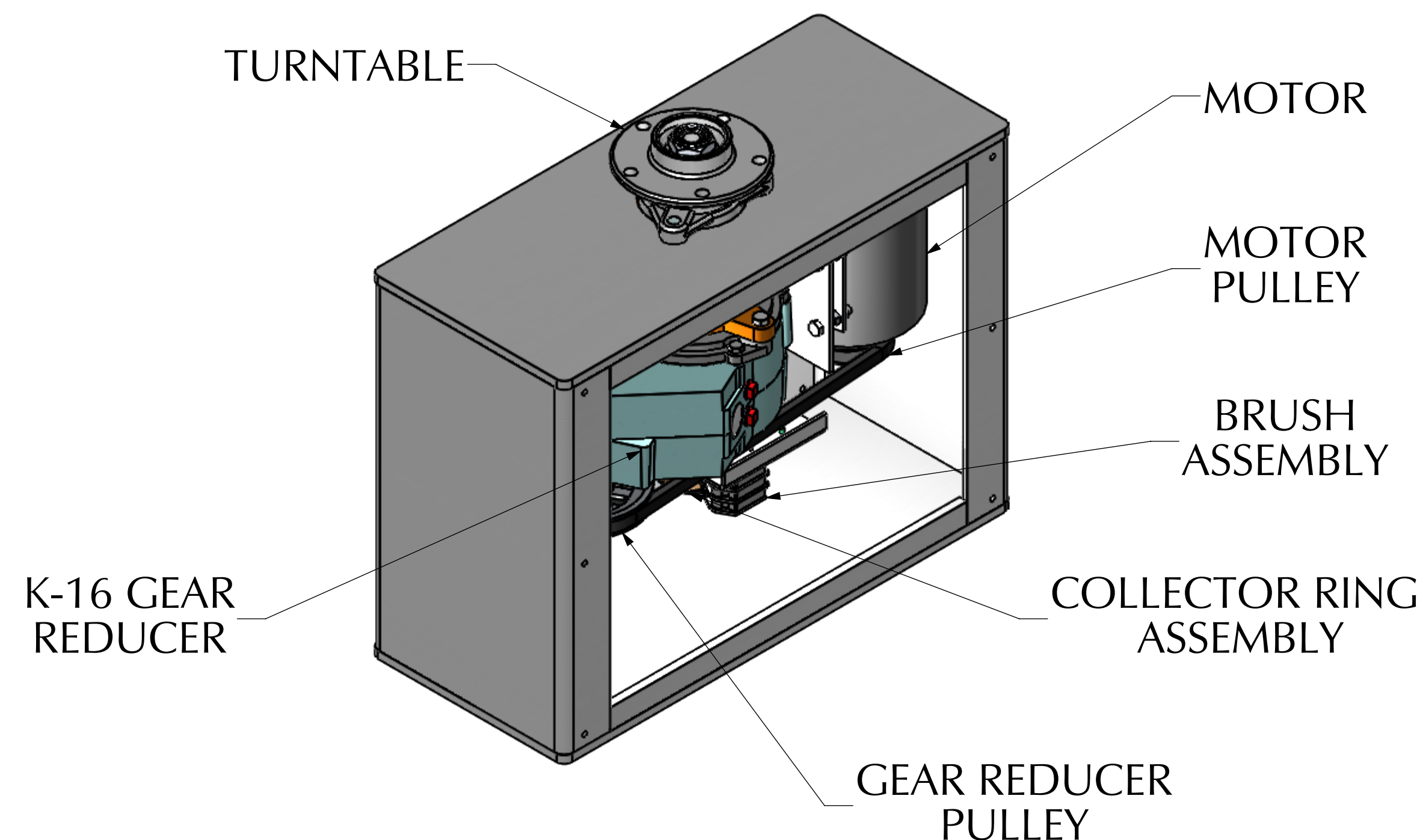




K-80

Part Number: 135050 361

Hanging Weight Capacity.....2000 lbs [907 kg]
 Compressive Weight Capacity.....2000 lbs [907 kg]
 Max Display Size.....Contact Dynapac
 Standard RPM.....6
 Torque Output @ 6 RPM.....150 ft-lbs [203.4 Nm]
 Motor Draw.....6A (720 watts)
 Safety Clutch.....Standard Feature
 Collector Ring Capacity.....15A at 115 V
 Shipping Weight.....137 lbs [62.1 kg]



	X	Y
STANDARD FRAME	16.25" [412.75]	18.95" [481.46]
EXTENDED FRAME	22.25" [565.15]	24.96" [633.86]

NOTE: MAX COLLECTOR RINGS ON STANDARD UNIT IS 8.

Dynapac Rotating Company Inc.
 338 Hansen Ave., Salt Lake City, UT 84115
 Phone: 801-485-2221 • Fax: 801-485-2254
 email: info@dynapacrotating.com • www.dynapacrotating.com