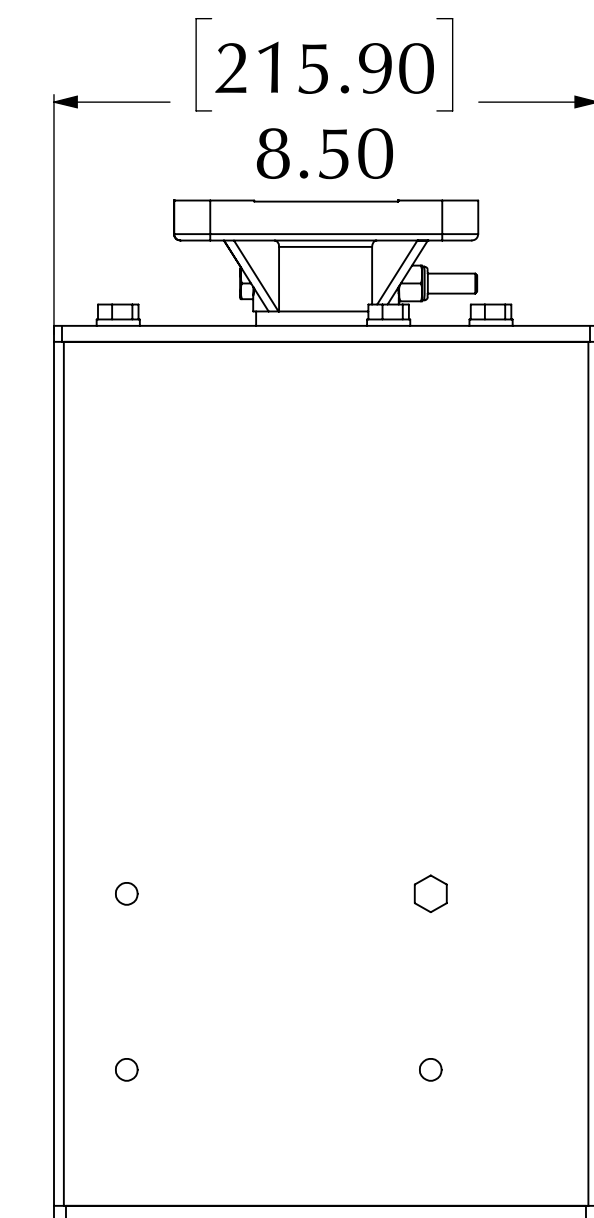
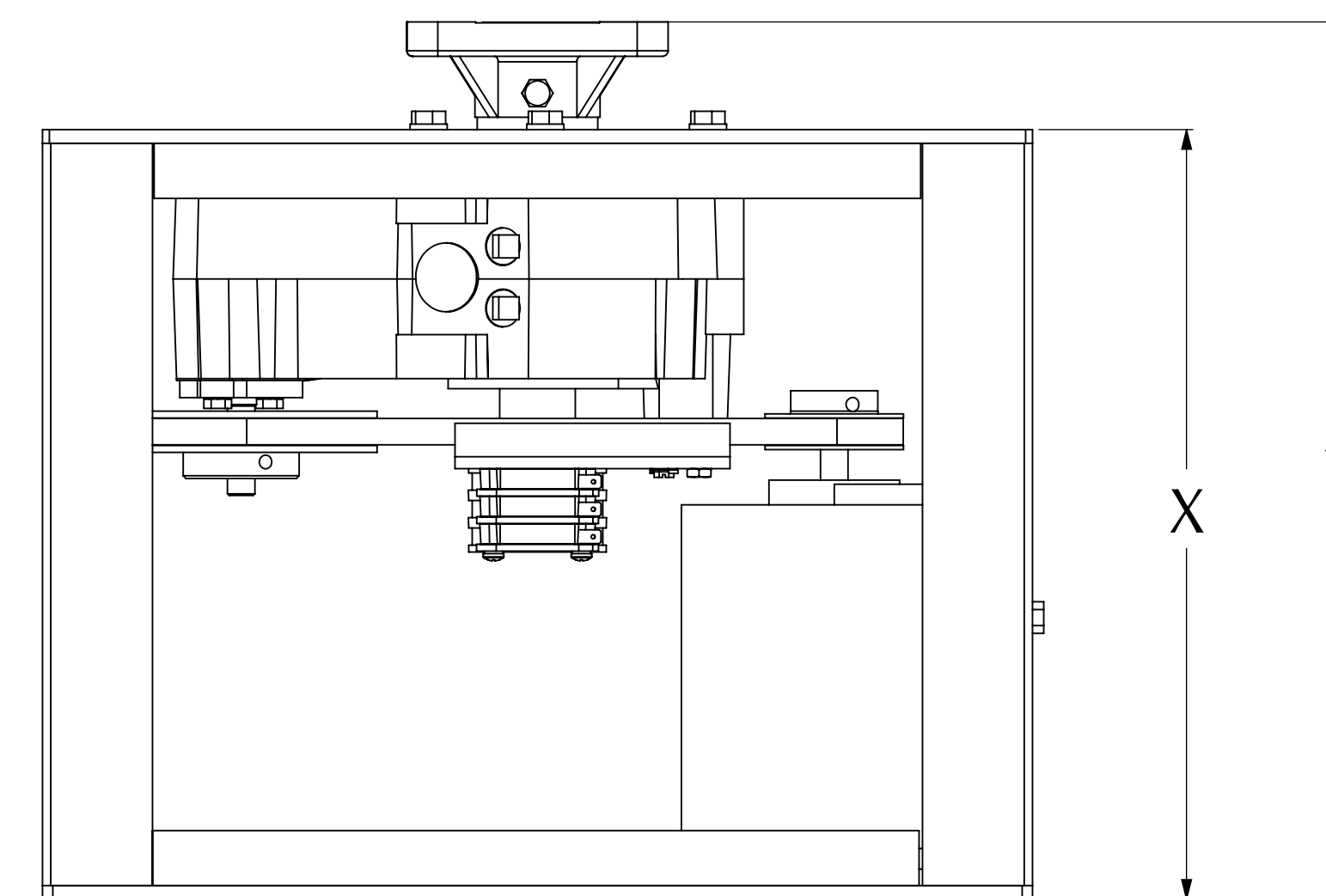
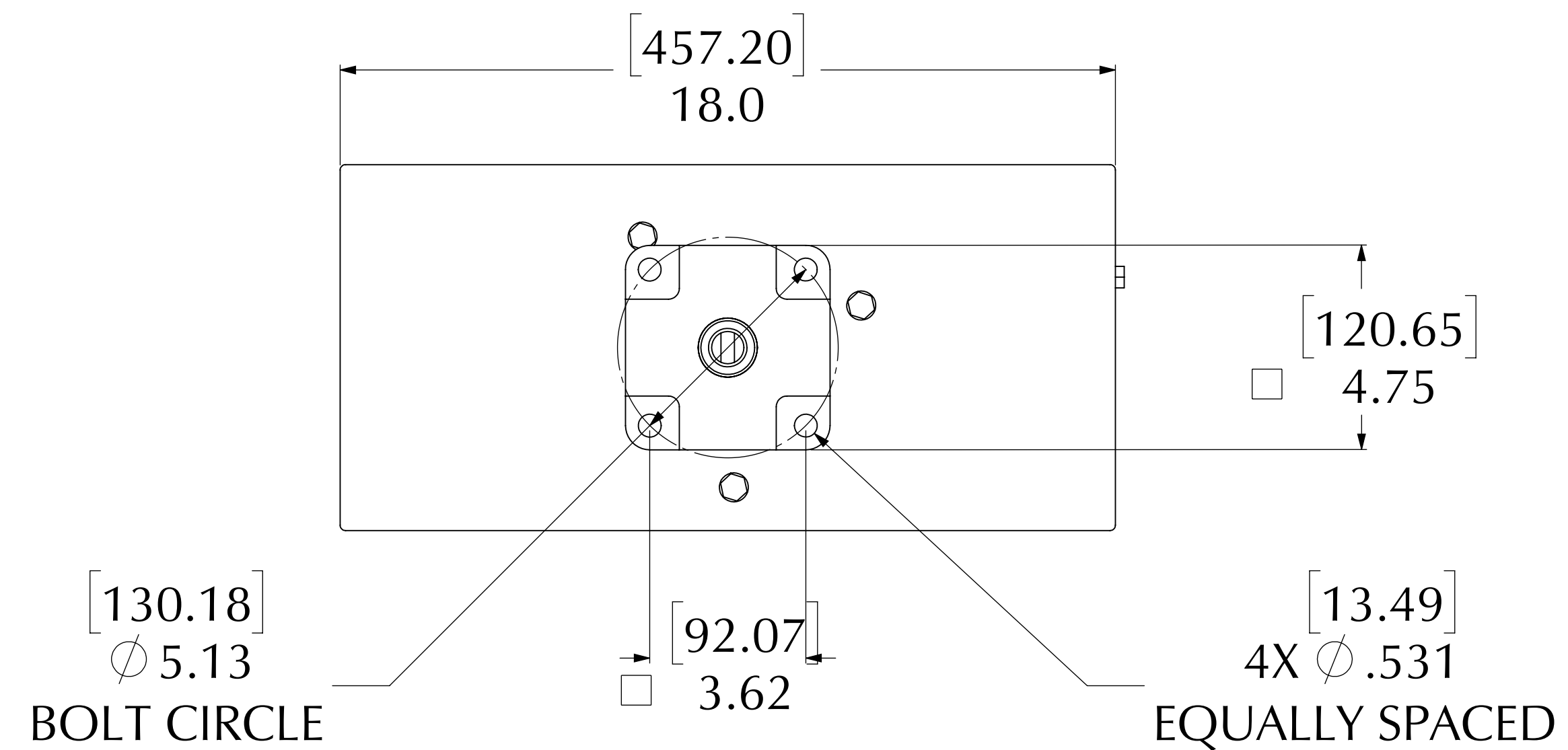
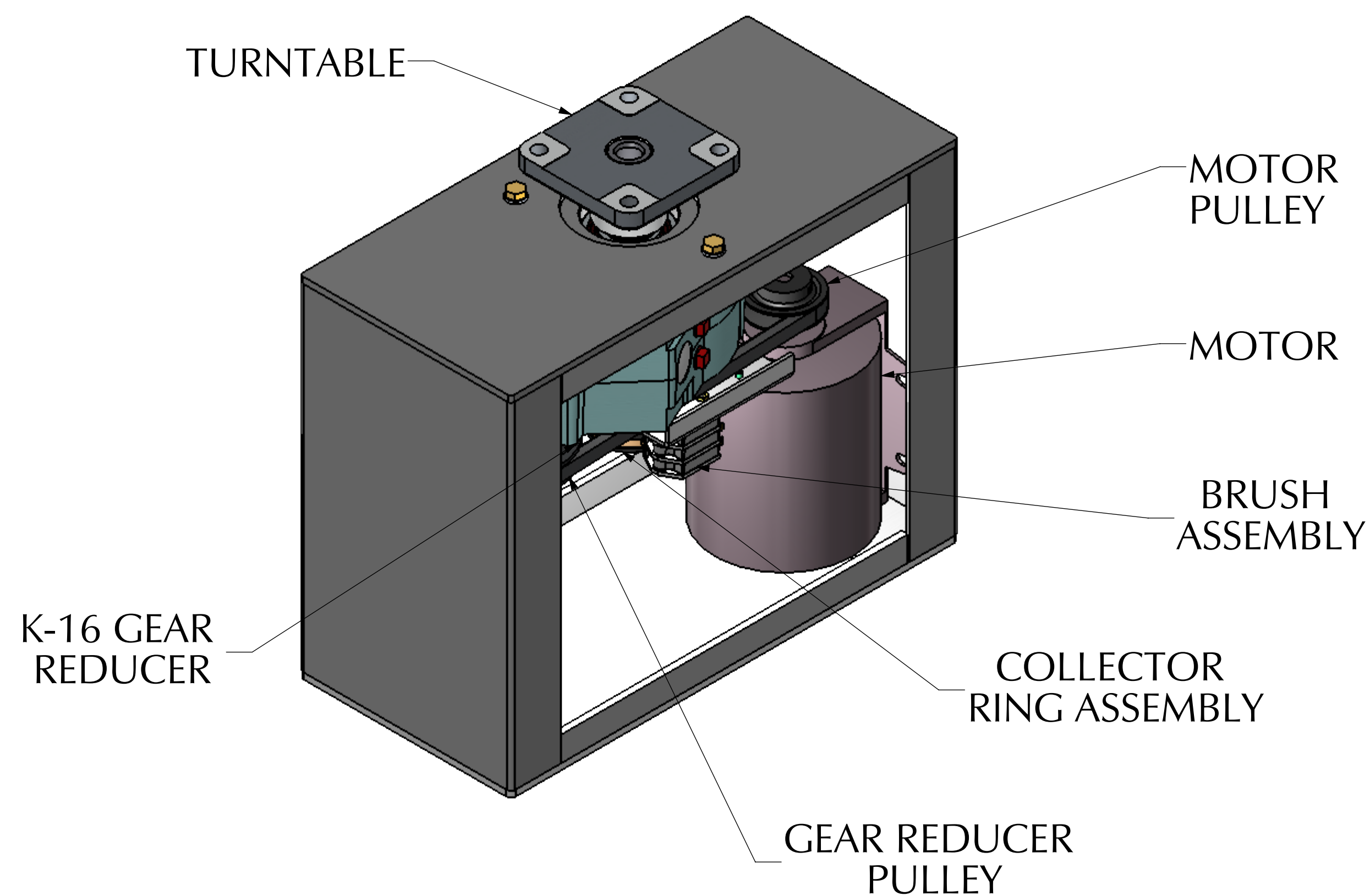




K-25

Part Number: 135001 361

Hanging Weight Capacity.....500 lbs [226.8 kg]
 Compressive Weight Capacity.....500 lbs [226.8 kg]
 Max Display Size.....Contact Dynapac
 Standard RPM.....6
 Torque Output @ 6 RPM.....150 ft-lbs [203.4 Nm]
 Motor Draw.....6A (720 watts)
 Safety Clutch.....Standard Feature
 Collector Ring Capacity.....15A at 115 V
 Shipping Weight.....97 lbs [44.0 kg]



	X	Y
STANDARD FRAME	14" [355.60mm]	15.96" [405.38mm]
EXTENDED FRAME	20" [508mm]	21.96" [557.78mm]

NOTE: MAX COLLECTOR RINGS ON STANDARD UNIT IS 12.

Dynapac Rotating Company Inc.
 338 Hansen Ave., Salt Lake City, UT 84115
 Phone: 801-485-2221 • Fax: 801-485-2254
 email: info@dynapacrotating.com • www.dynapacrotating.com