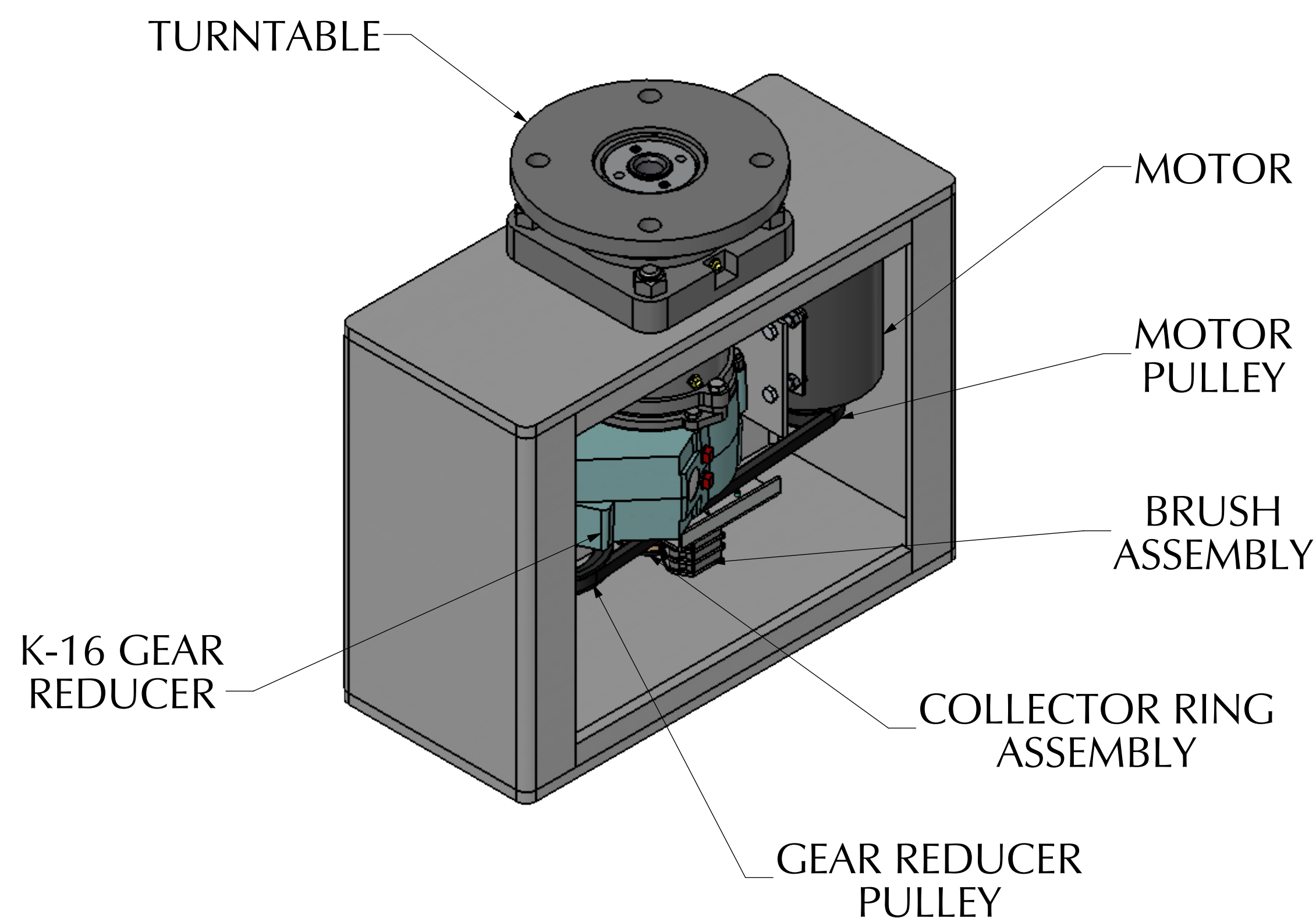
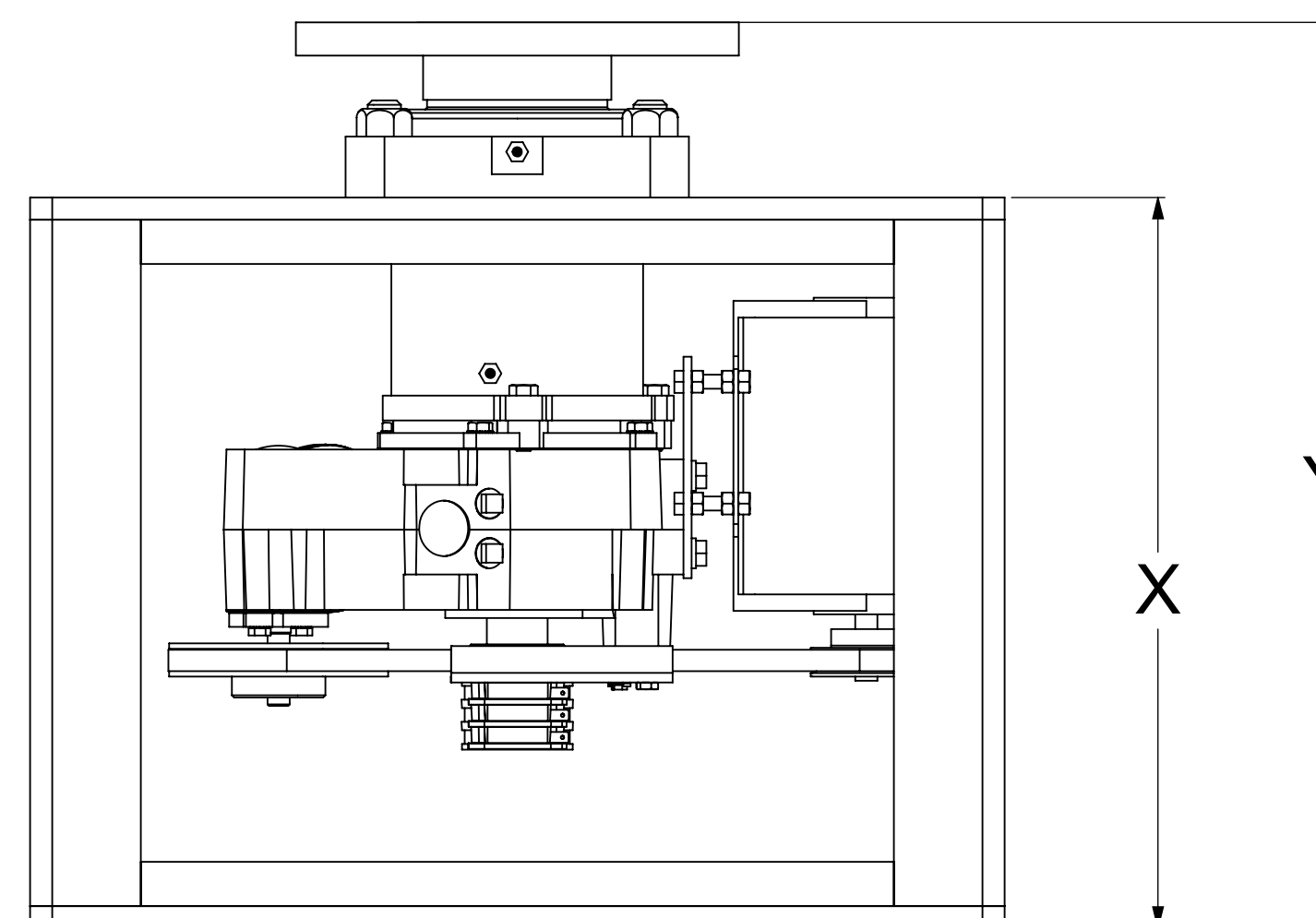
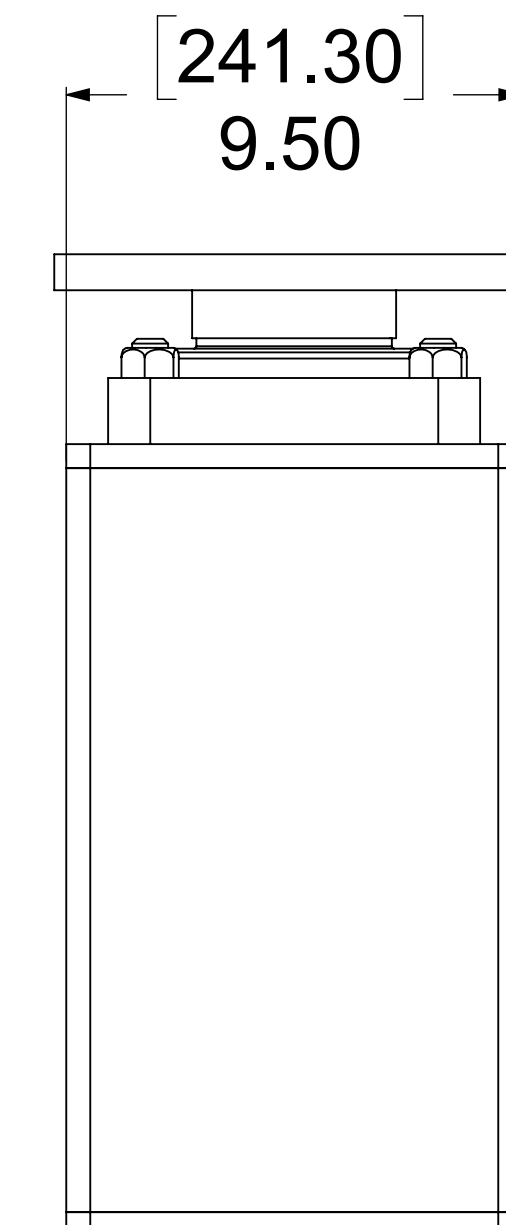
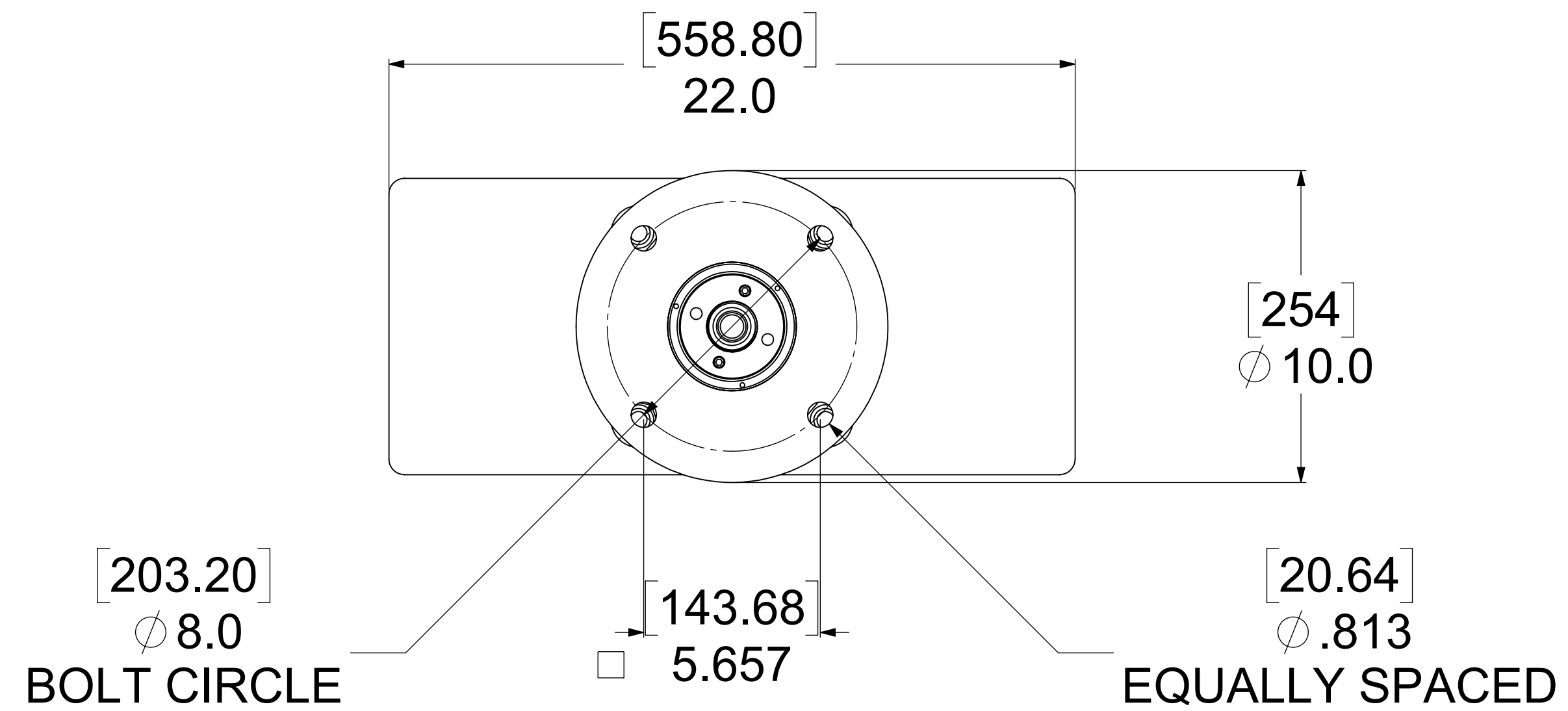




K-200

Part Number: 135004 361

Hanging Weight Capacity.....4200 lbs [1905 kg]
 Compressive Weight Capacity.....4200 lbs [1905kg]
 Max Display Size.....Contact Dynapac
 Standard RPM.....6
 Torque Output @ 6 RPM.....150 ft-lbs [203.4 Nm]
 Motor Draw.....6A (720 watts)
 Safety Clutch.....Standard Feature
 Collector Ring Capacity.....15A at 115 V
 Shipping Weight.....200 lbs [90.7 kg]



	X	Y
STANDARD FRAME	16.50" [419.10mm]	20.46" [519.60mm]
EXTENDED FRAME	22.50" [571.50mm]	26.46" [672.01mm]

NOTE: MAX COLLECTOR RINGS ON STANDARD UNIT IS 7.

Dynapac Rotating Company Inc.
 338 Hansen Ave., Salt Lake City, UT 84115
 Phone: 801-485-2221 • Fax: 801-485-2254
 email: info@dynapacrotating.com • www.dynapacrotating.com