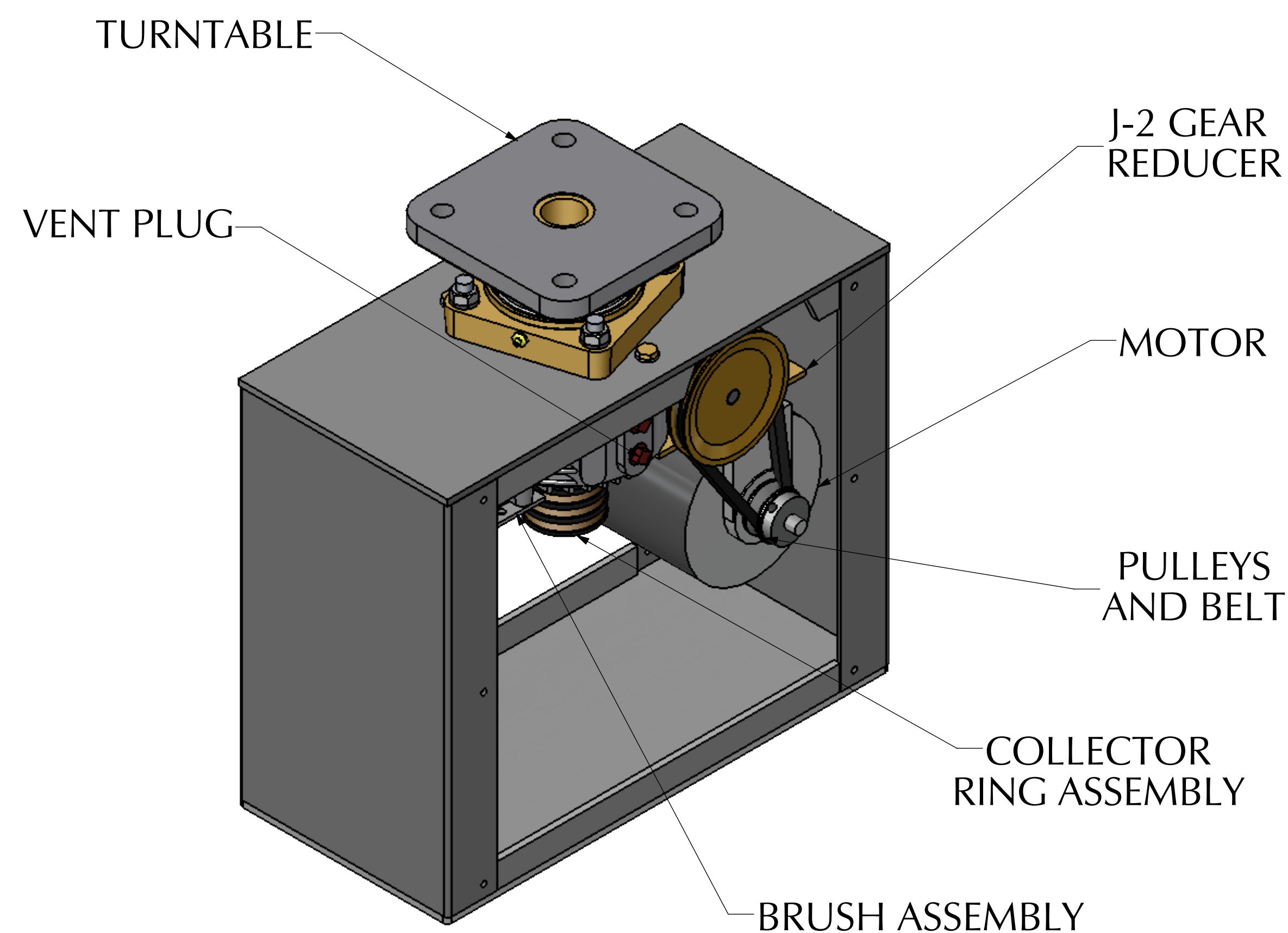
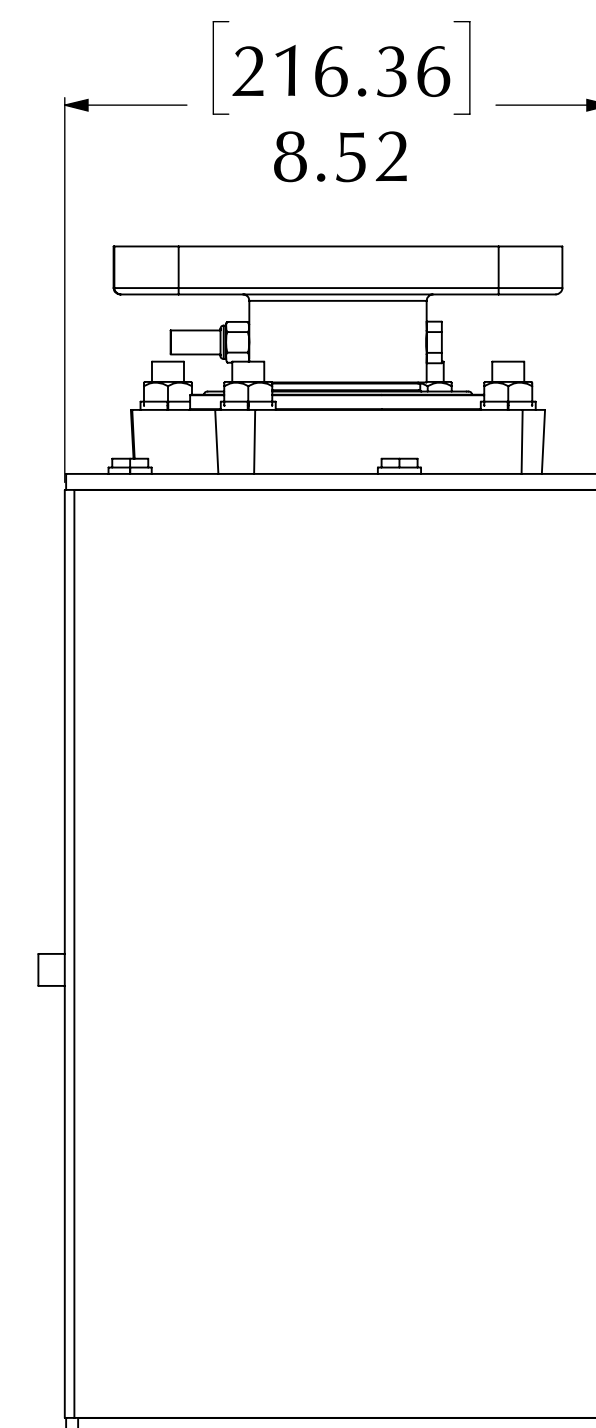
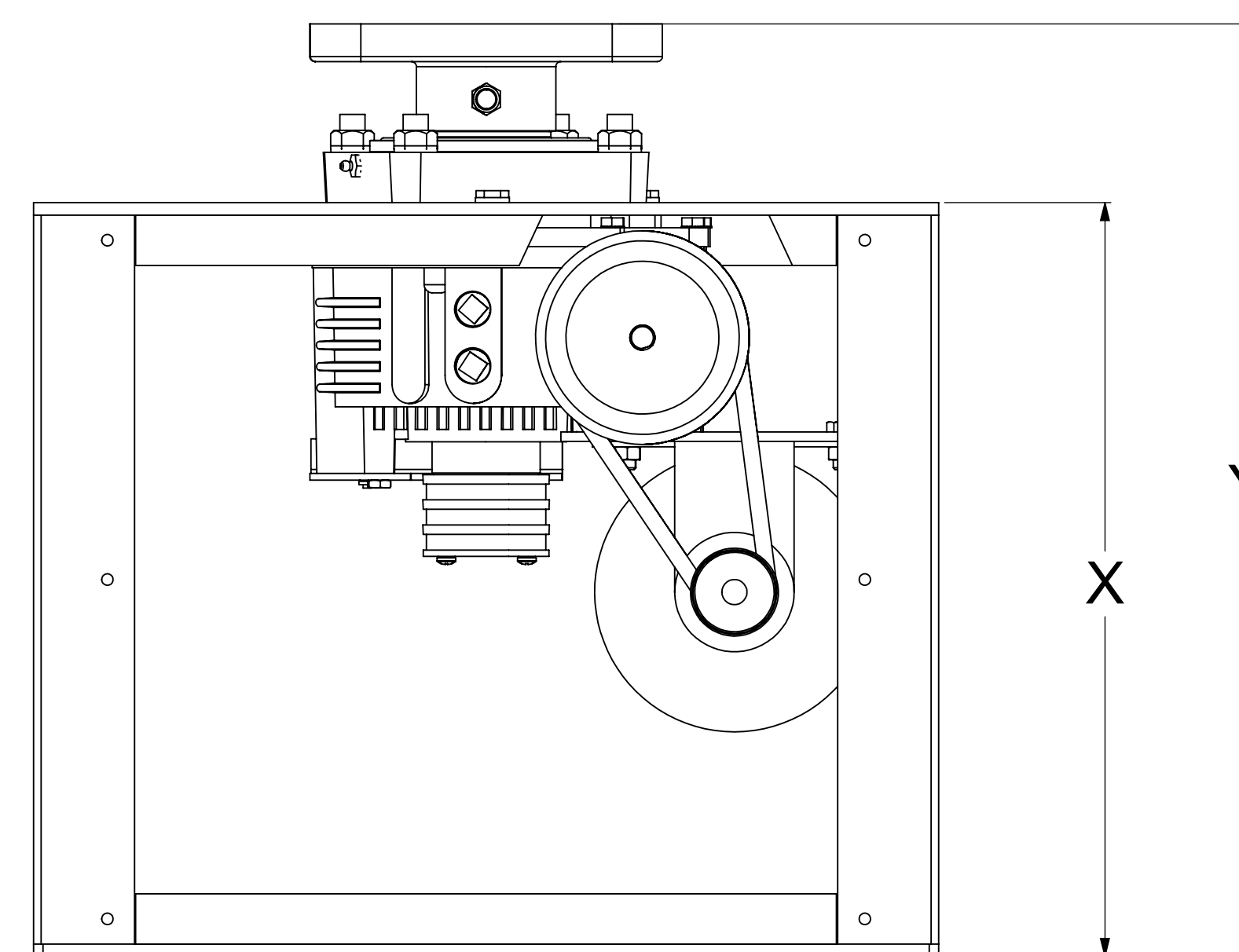
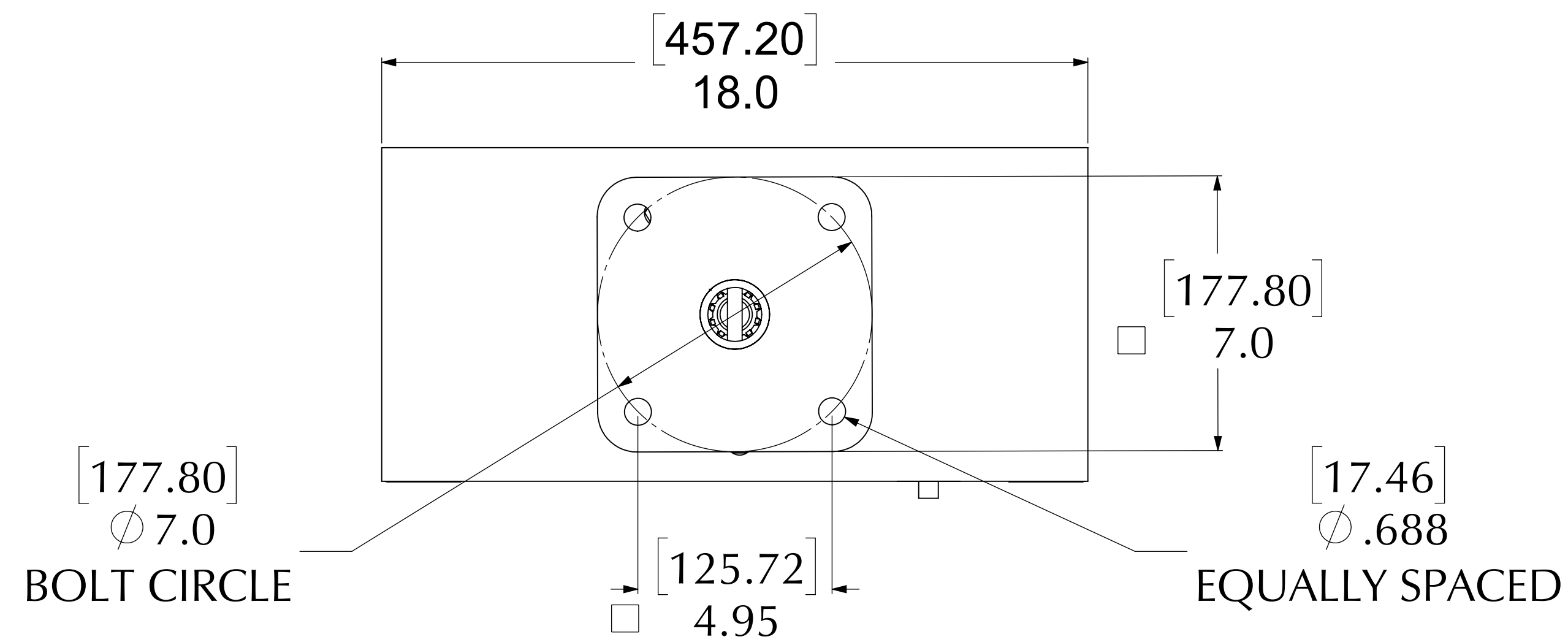




# J-36

Part Number: 133007 361

Hanging Weight Capacity.....720 lbs [326.6 kg]  
 Compressive Weight Capacity.....720 lbs [326.6 kg]  
 Max Display Size.....Contact Dynapac  
 Standard RPM.....6  
 Torque Output @ 6 RPM.....100 ft-lbs [135.6 Nm]  
 Motor Draw.....5.1 A (612 watts)  
 Safety Clutch.....Standard Feature  
 Collector Ring Capacity.....15A at 115 V  
 Shipping Weight.....99 lbs [45 kg]



	X	Y
STANDARD FRAME	15" [381mm]	18.56" [471.3mm]
EXTENDED FRAME	21" [533.4mm]	24.56" [623.8mm]

NOTE: MAX COLLECTOR RINGS ON STANDARD UNIT IS 15

Dynapac Rotating Company Inc.  
 338 Hansen Ave., Salt Lake City, UT 84115  
 Phone: 801-485-2221 • Fax: 801-485-2254  
 email: [info@dynapacrotating.com](mailto:info@dynapacrotating.com) • [www.dynapacrotating.com](http://www.dynapacrotating.com)