

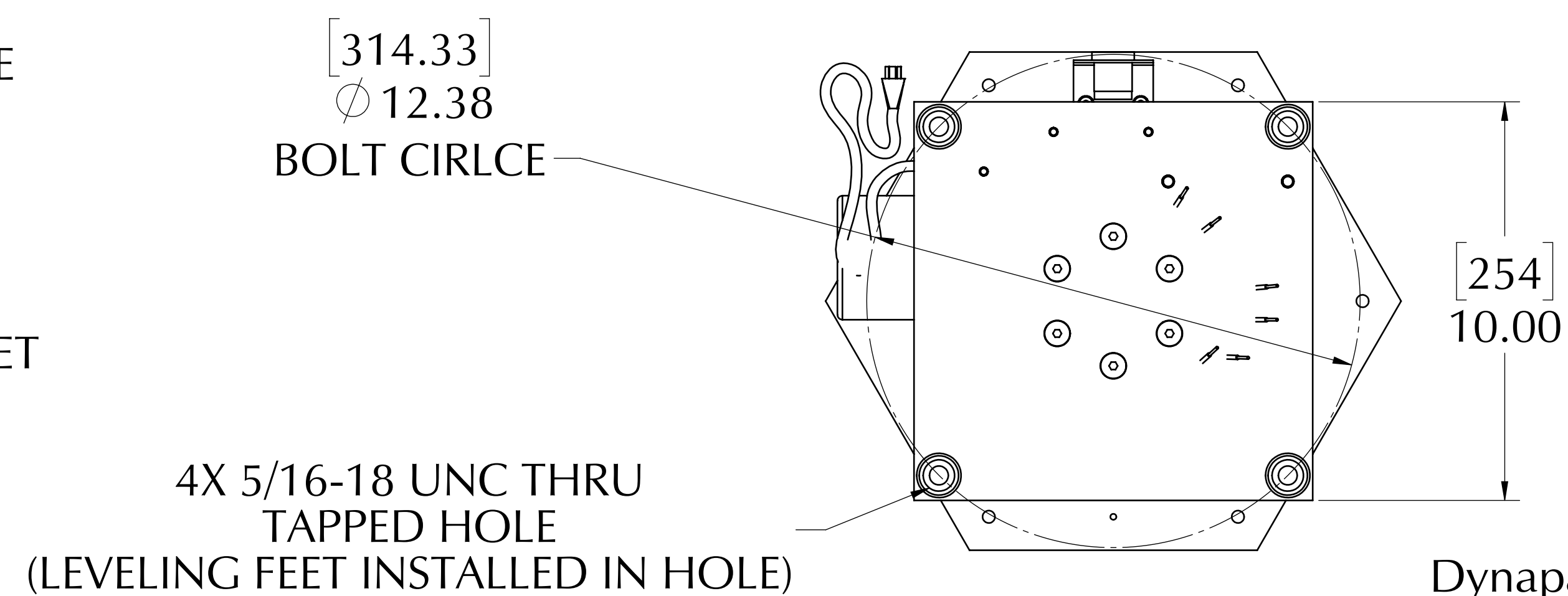
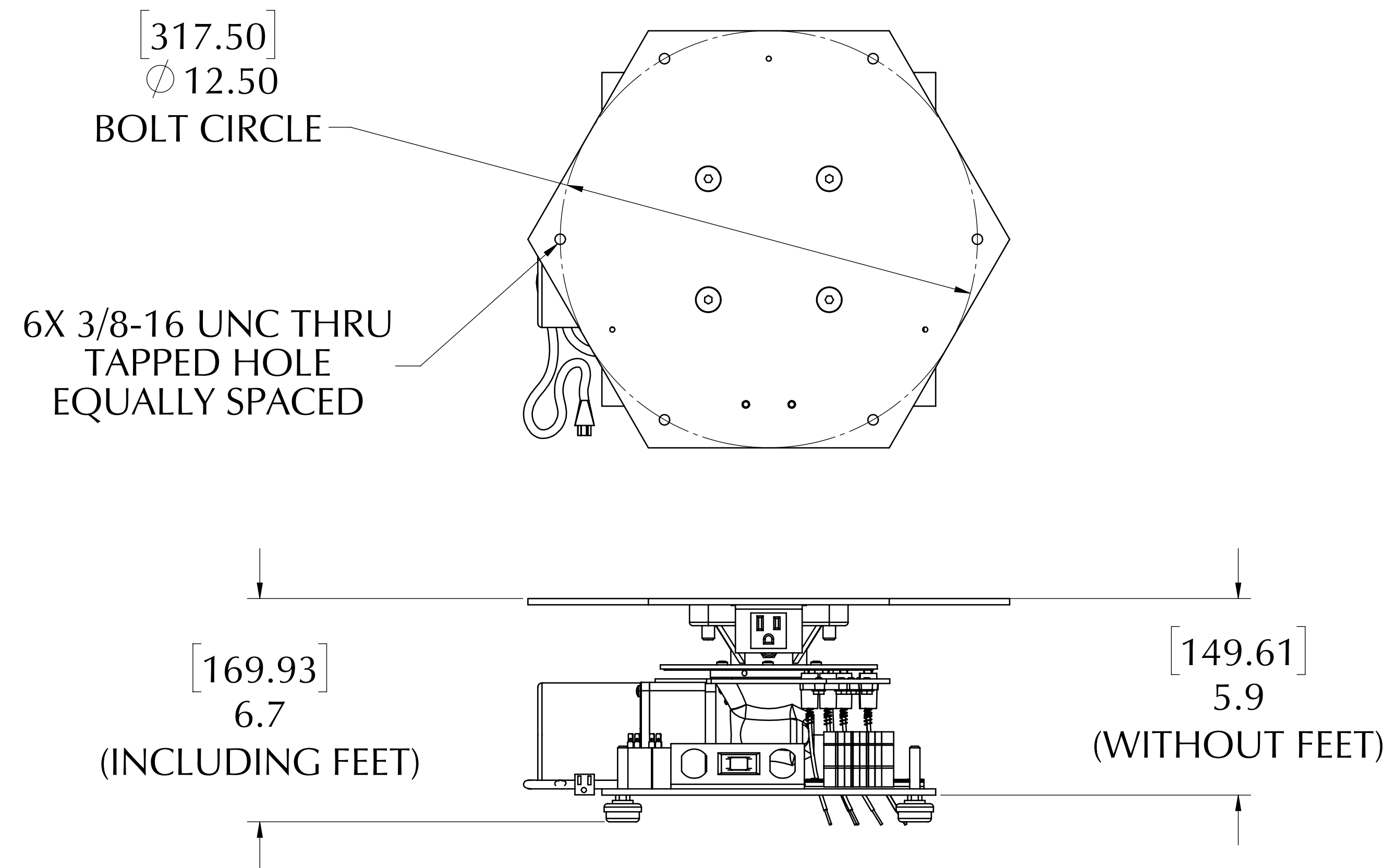
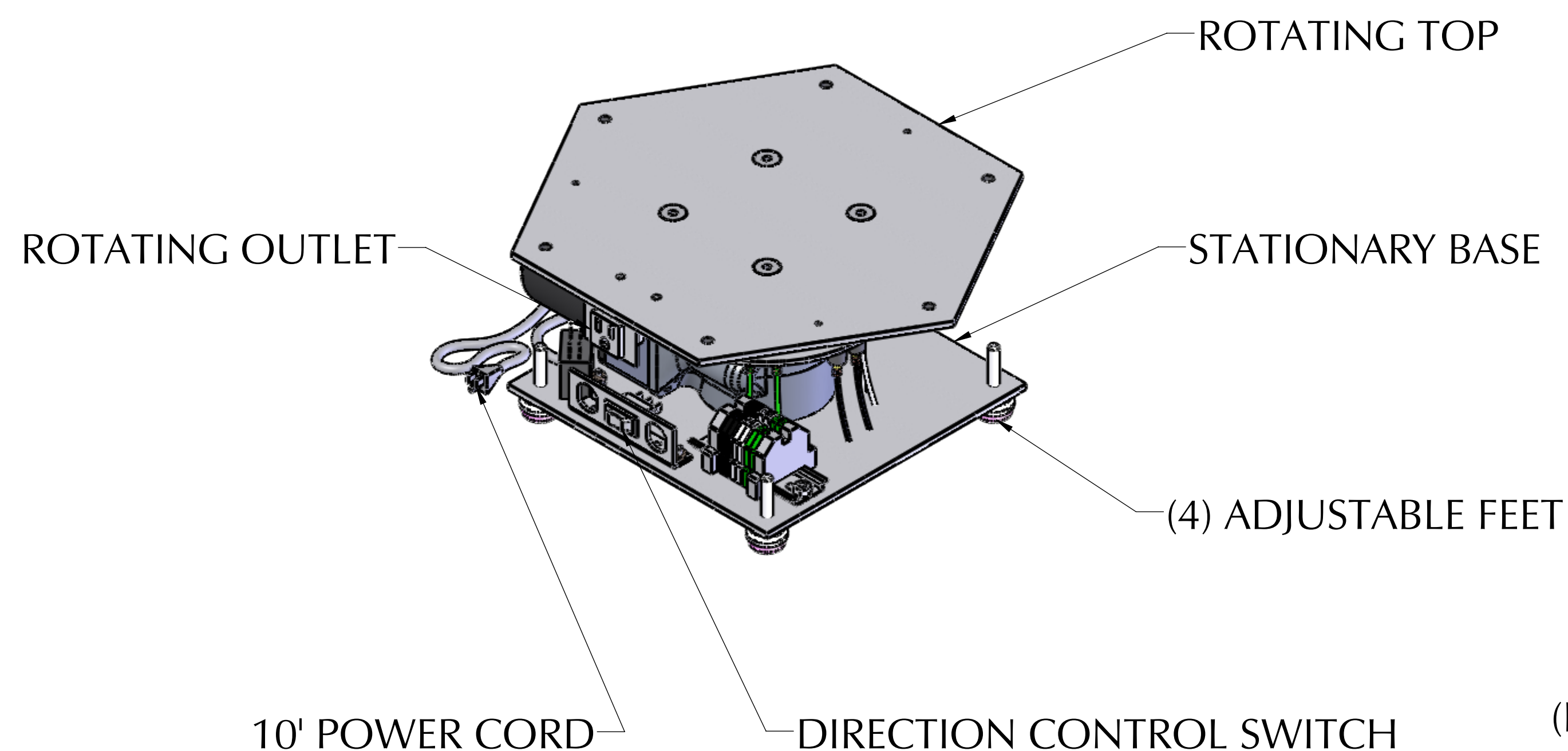


IR-800 With Collector Ring

Part Number: 153015 321 25W

The IR-800 is an updated version of the IR-600 with a more robust design and greater amount of torque. Unit is completely interchangeable with existing IR-300/600 installations. Comes with pre-tapped holes in the turntable that make mounting quick and simple.

Hanging Weight Capacity.....none
 Compressive Weight Capacity.....800 lbs [363 kg]
 Max Display Size.....7' x 7' [2.1m x 2.1m]
 Standard RPM.....2
 Torque Output @ 2 RPM.....168 in-lbs [19 Nm]
 Motor Draw.....0.46 A (53 watts)
 Safety Clutch.....Standard Feature
 Collector Ring Capacity.....15A at 115 V
 Shipping Weight.....31 lbs [14 kg]



Dynapac Rotating Company Inc.
 338 Hansen Ave., Salt Lake City, UT 84115
 Phone: 801-485-2221 • Fax: 801-485-2254
 email: info@dynapacrotating.com • www.dynapacrotating.com