

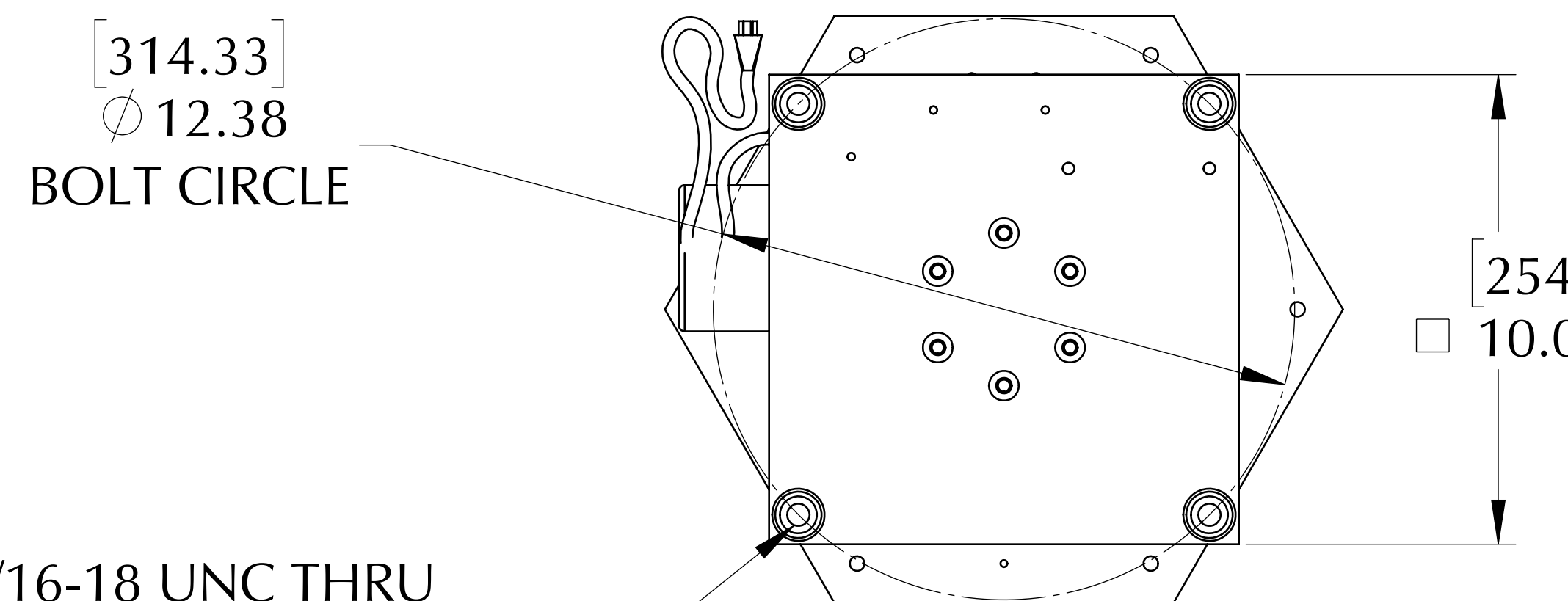
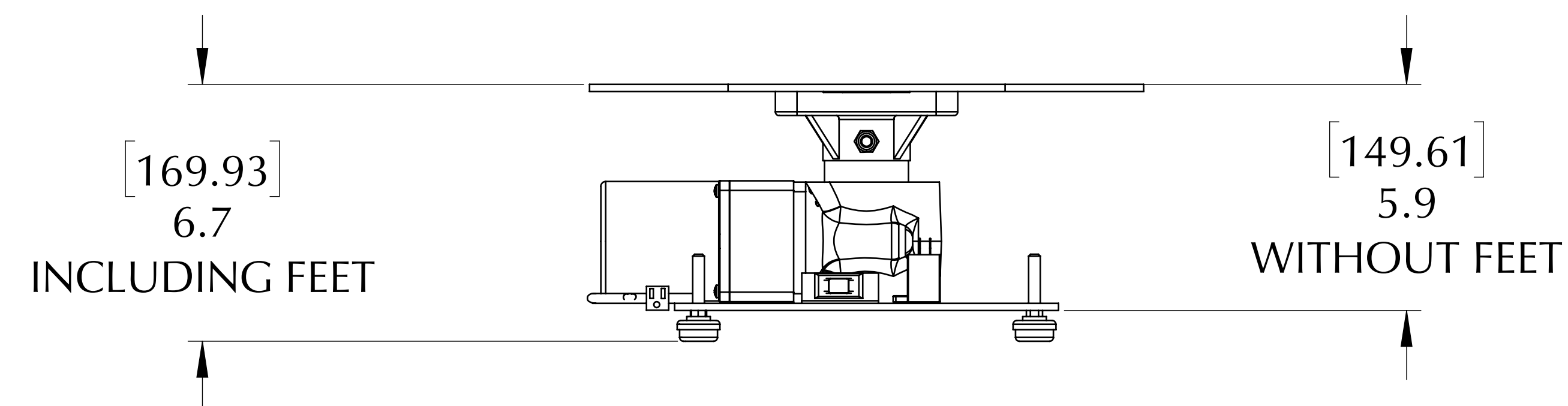
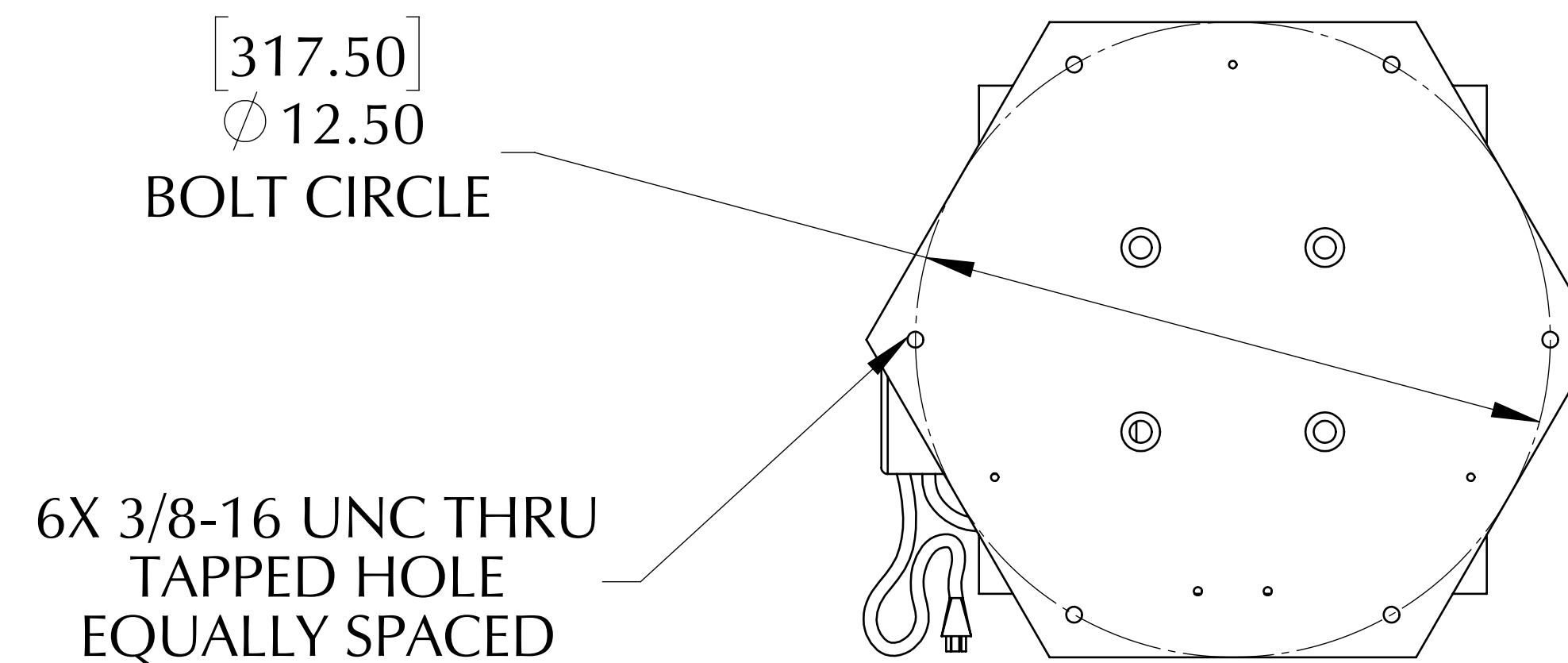


IR-800 Less Collector Ring

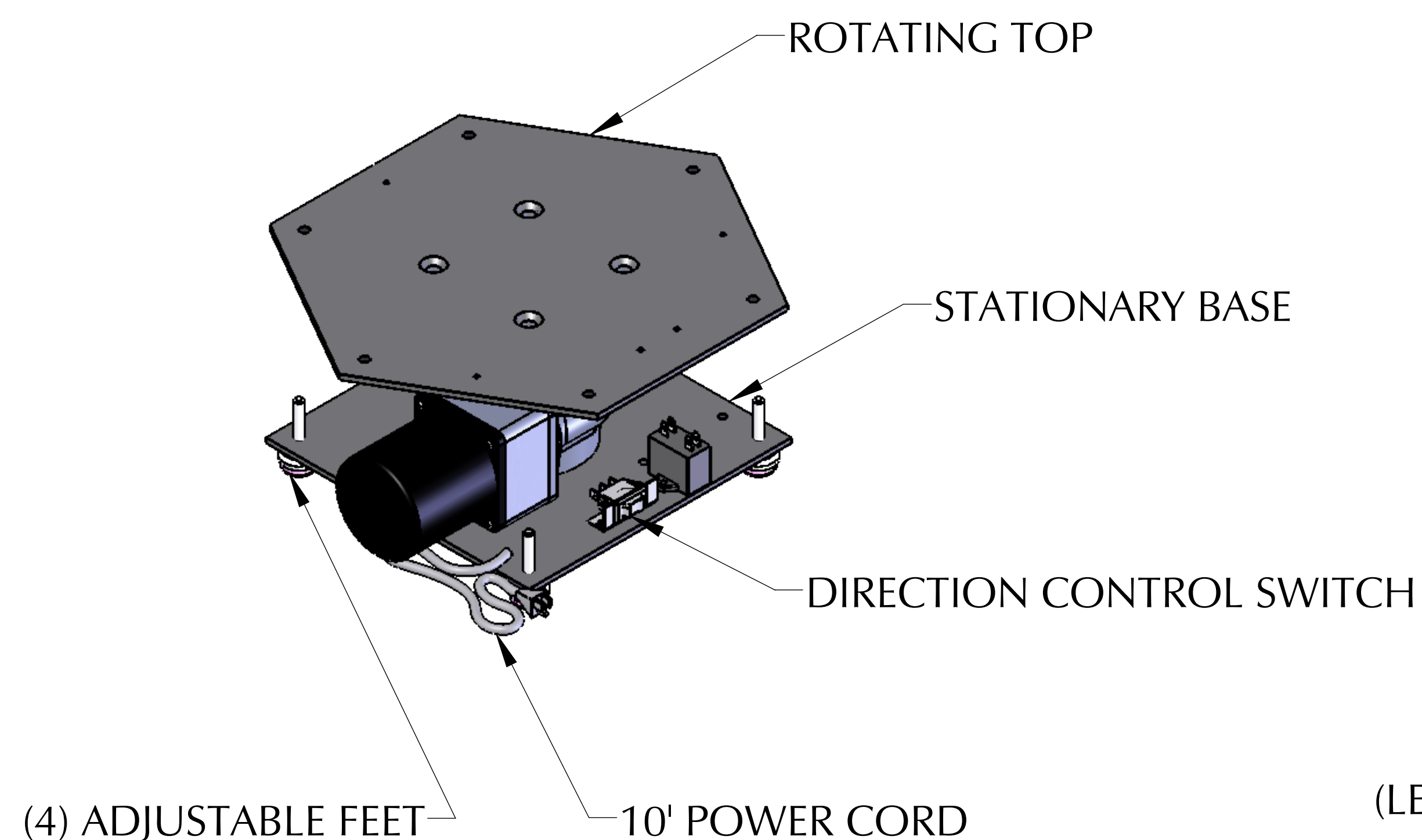
Part Number: 153015 021 25W

The IR-800 is an updated version of the IR-600 with a more robust design and superior torque. This model is completely interchangeable with existing IR-300/600 installations. It comes with pre-tapped holes in the turntable that make display mounting quick and simple.

- Hanging Weight Capacity.....none
- Compressive Weight Capacity.....800 lbs [362.9 kg]
- Max Display Size.....7' x 7' [2.1m x 2.1m]
- Standard RPM.....2
- Torque Output @ 2 RPM.....168 in-lbs [19.1 Nm]
- Motor Draw.....0.46A (53 watts)
- Safety Clutch.....Standard Feature
- Shipping Weight.....29 lbs [13.1 kg]



4X 5/16-18 UNC THRU
TAPPED HOLE
(LEVELING FEET INSTALLED IN HOLE)



Dynapac Rotating Company Inc.
338 Hansen Ave., Salt Lake City, UT 84115
Phone: 801-485-2221 • Fax: 801-485-2254
email: info@dynapacrotating.com • www.dynapacrotating.com