

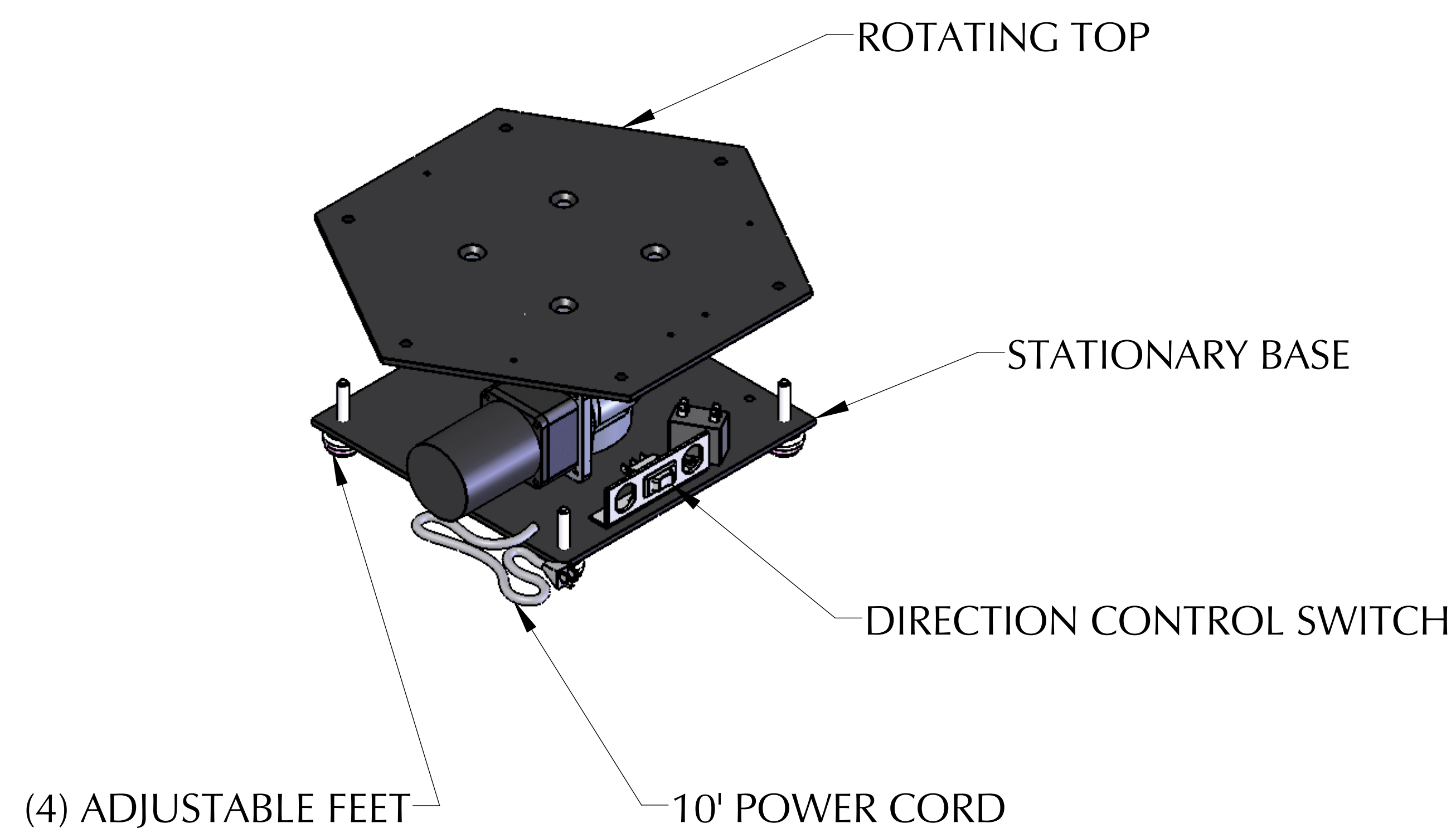
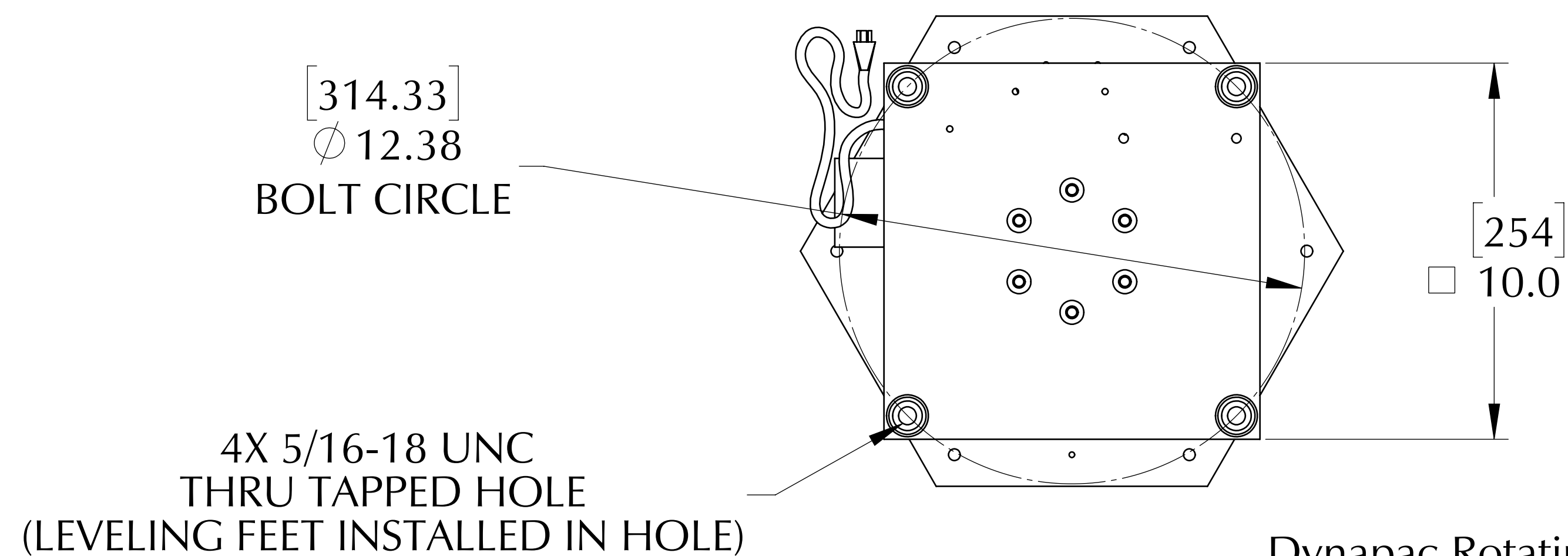
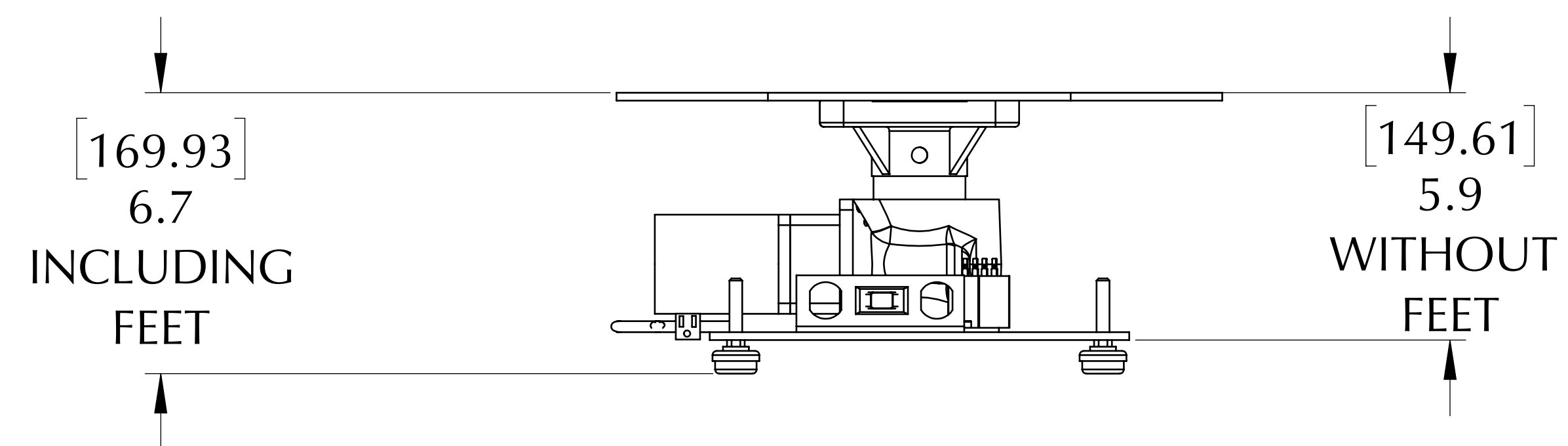
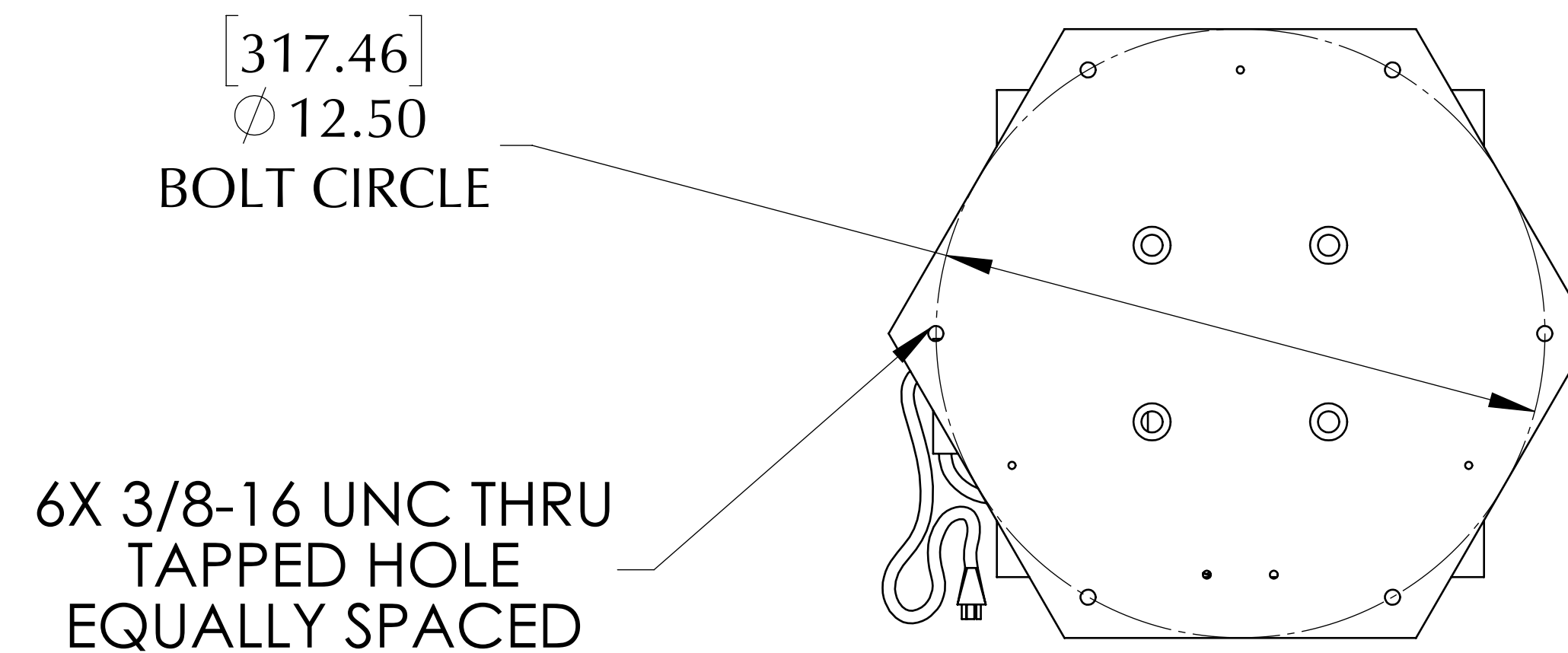


# IR-650 Less Collector Ring

Part Number: 153015 021 6W

The IR-650 is an updated version of the IR-600 with a more robust design and greater amount of torque. Unit is completely interchangeable with existing IR-300/600 installations. Comes with pre-tapped holes in the turntable that make mounting quick and simple. 8' power cord comes standard.

Hanging Weight Capacity.....none  
 Compressive Weight Capacity.....650 lbs [294.8 kg]  
 Max Display Size.....6' x 6' [1.8m x 1.8m]  
 Standard RPM.....2  
 Torque Output @ 2 RPM.....95 in-lbs [10.7 Nm]  
 Motor Draw.....0.13A (16 watts)  
 Safety Clutch.....Standard Feature  
 Shipping Weight.....26 lbs [11.8 kg]



Dynapac Rotating Company Inc.  
 338 Hansen Ave., Salt Lake City, UT 84115  
 Phone: 801-485-2221 • Fax: 801-485-2254  
 email: [info@dynapacrotating.com](mailto:info@dynapacrotating.com) • [www.dynapacrotating.com](http://www.dynapacrotating.com)