

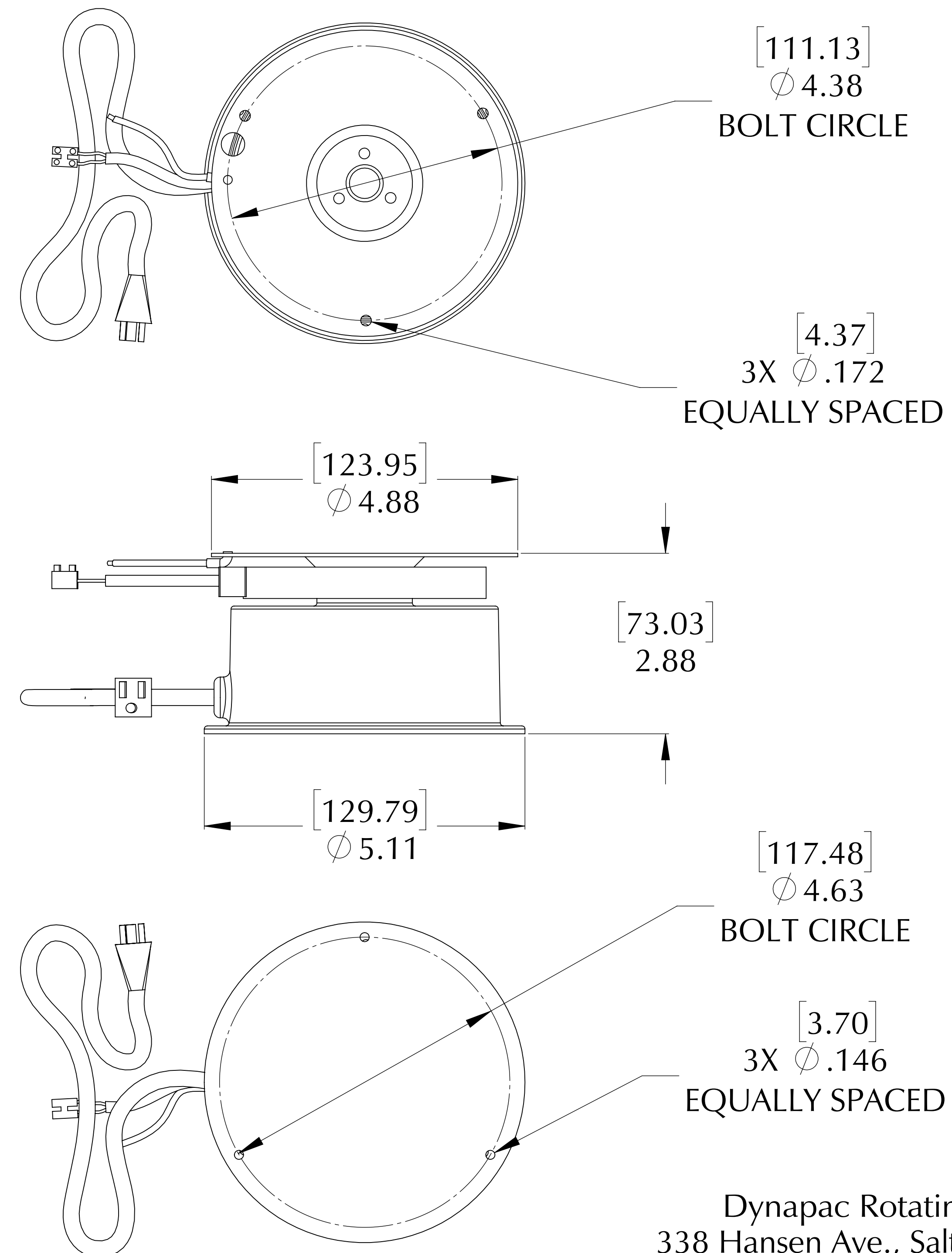
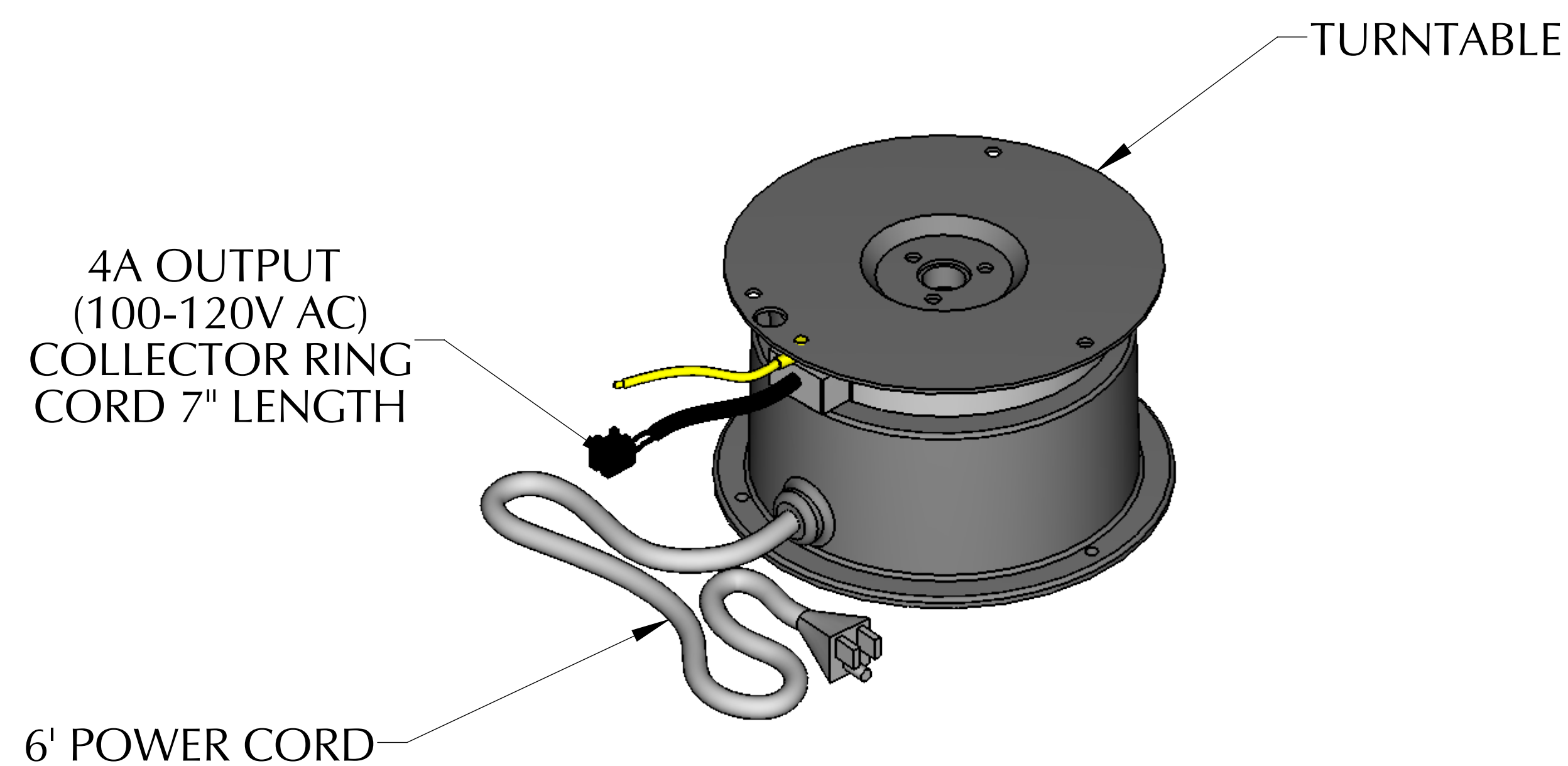


IR-20 With Collector Ring

Part Number: 144001 221

The IR-20 is ideal for rotating small loads with ease. Used as a display turntable or inside small rotating signs, this tiny but durable unit will put motion on your side. It's rotating wires allow it to provide power to lights and other small electric devices as it turns. Each unit comes with a grounded 5' power cord - just plug it in and away it goes.

- Hanging Weight Capacity.....10 lbs [4.5 kg]
- Compressive Weight Capacity.....20 lbs [9 kg]
- Max Display Size.....2' x 2' [61 cm x 61 cm]
- Standard RPM.....2.5
- Torque Output @ 2.5 RPM.....3.5 in-lbs [0.39 Nm]
- Motor Draw.....0.02 A (2.3 watts)
- Safety Clutch.....Standard Feature
- Collector Ring Capacity.....4 A at 115 V
- Shipping Weight.....3 lbs [1.4 kg]



Dynapac Rotating Company Inc.
 338 Hansen Ave., Salt Lake City, UT 84115
 Phone: 801-485-2221 • Fax: 801-485-2254
 email: info@dynapacrotating.com • www.dynapacrotating.com