

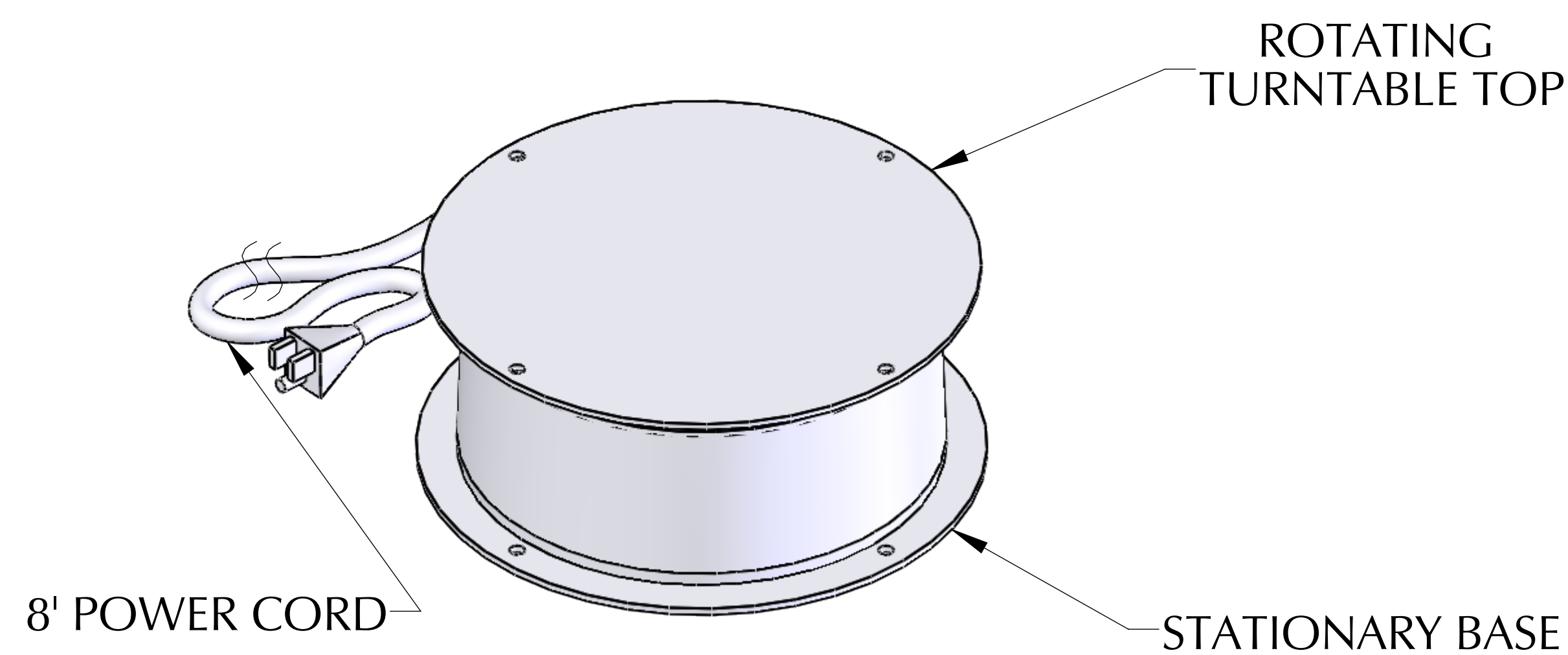
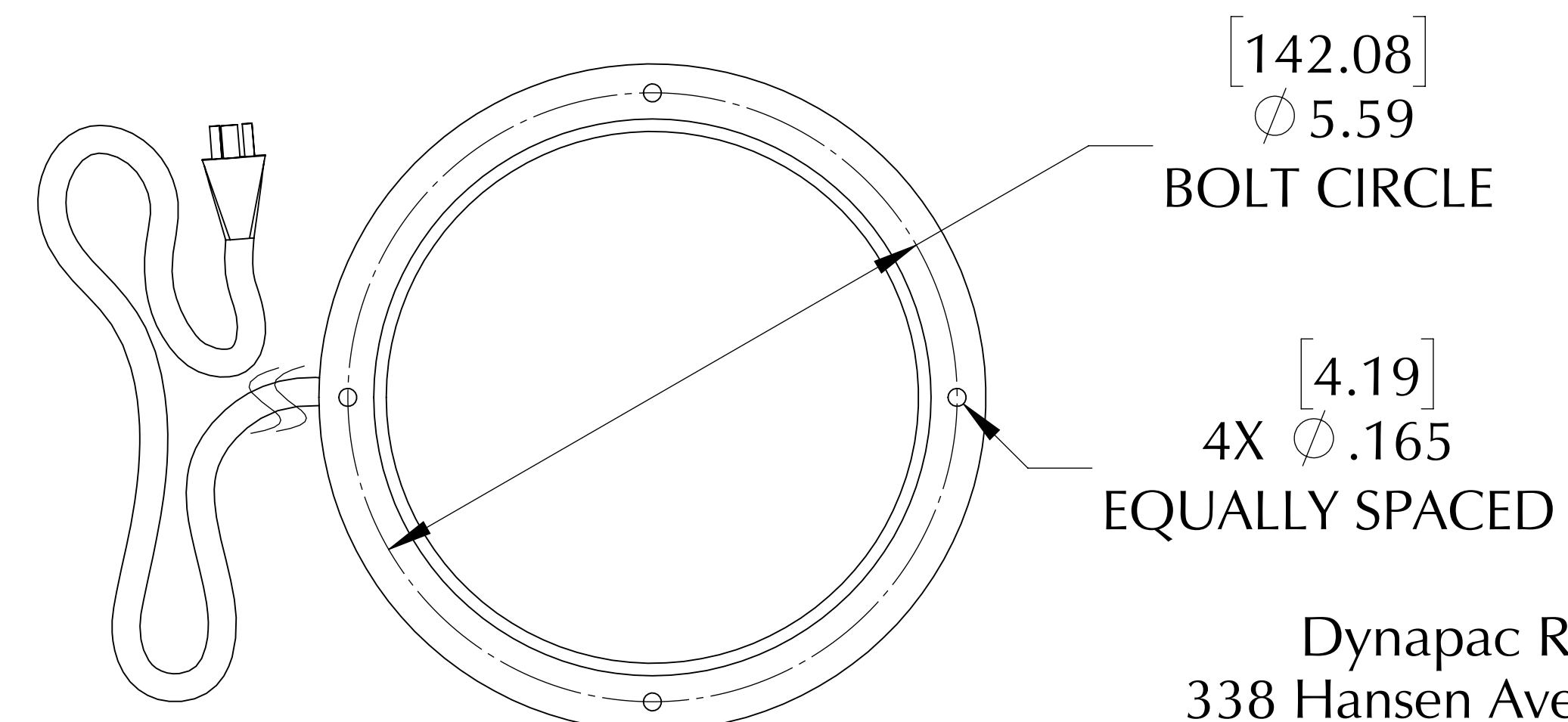
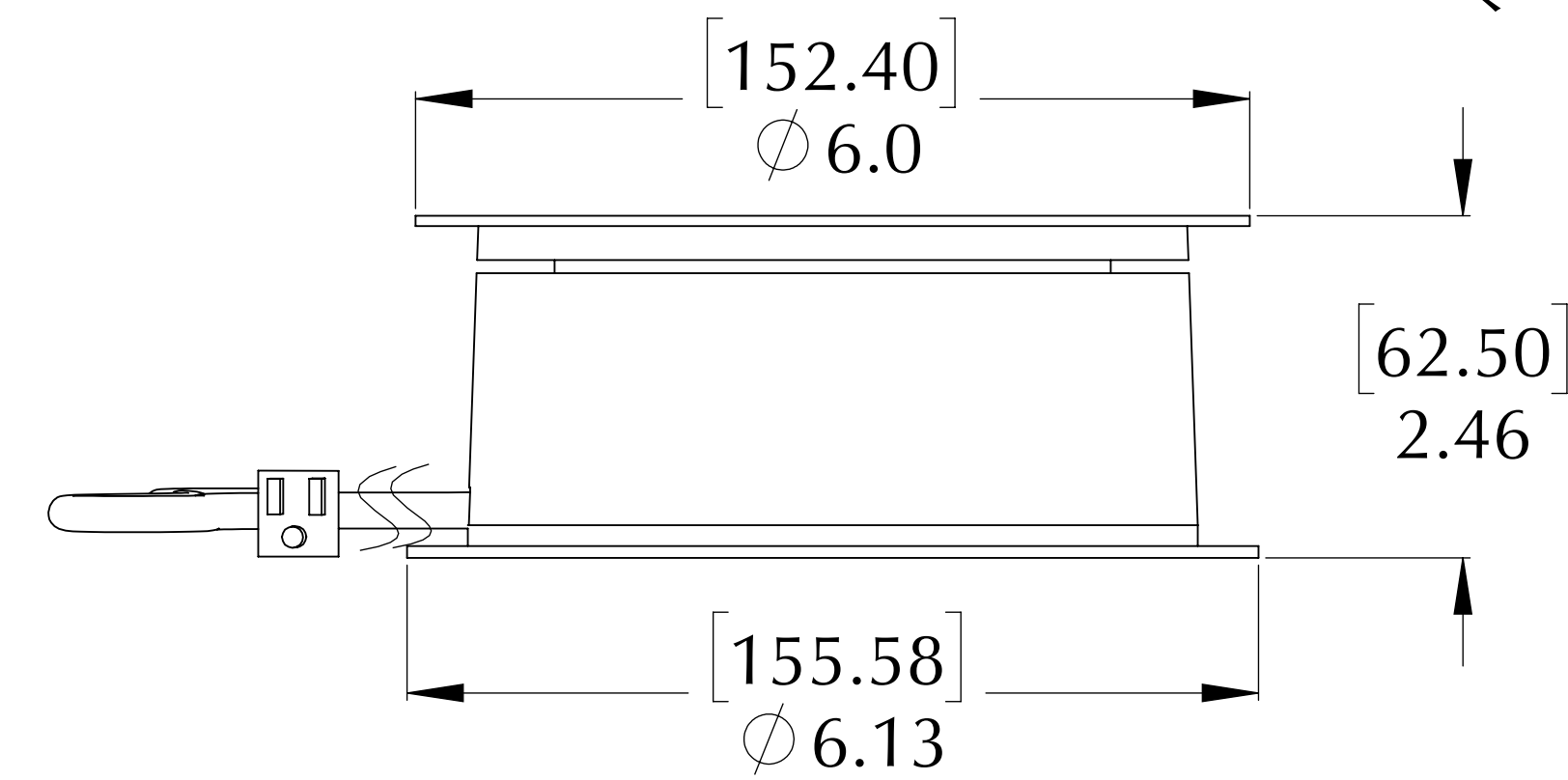
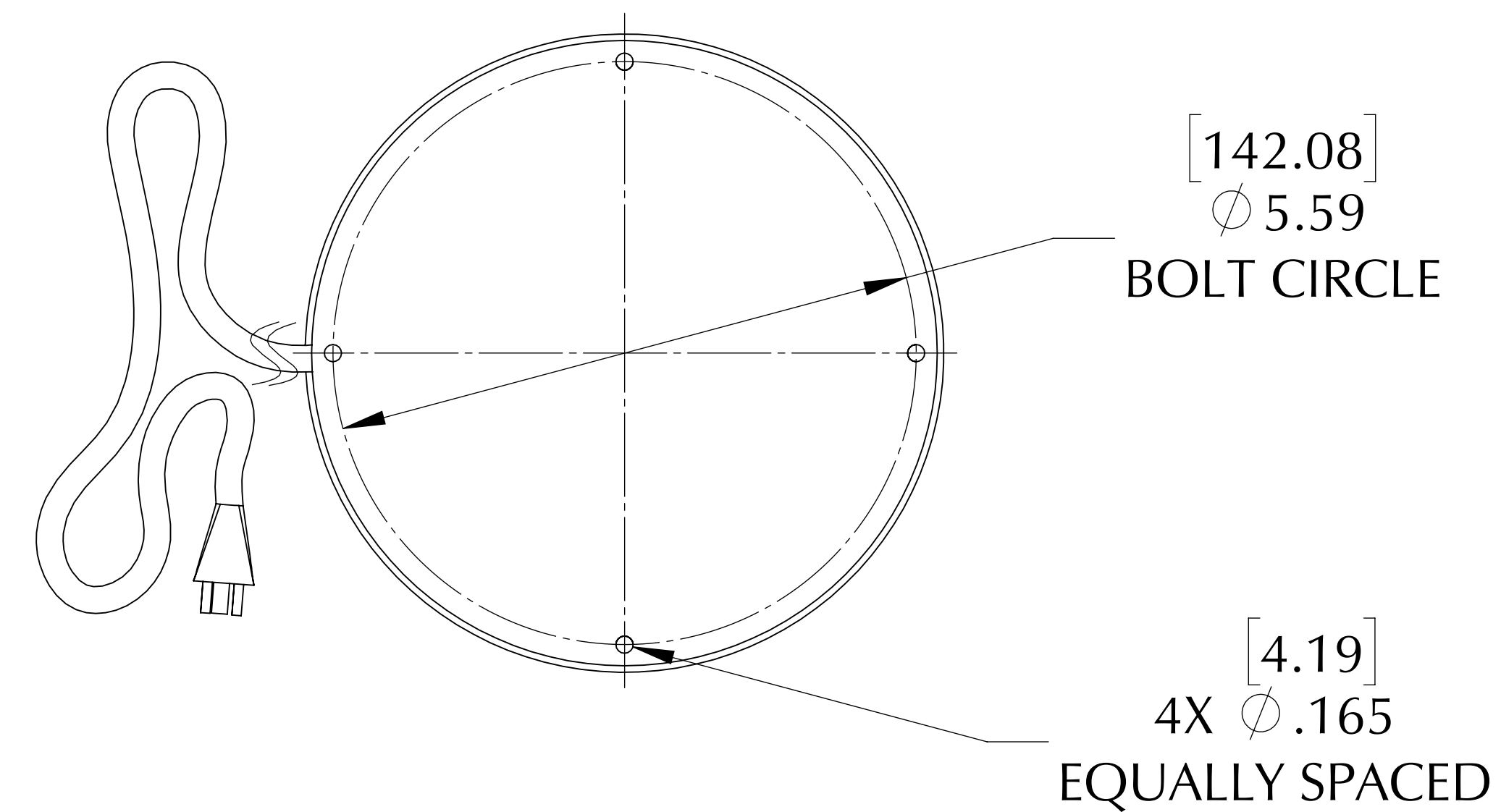


IR-10

Part Number: 144116

The IR-10 is a plug-in version of the battery-powered turntables. Features include an 8 foot power cord and a safety clutch to keep the motor from being damaged when the turntable is stopped. Ideal for jewelry, watches, and other small Point of Purchase displays.

Hanging Weight Capacity.....None
 Compressive Weight Capacity.....10 lbs [4.5 kg]
 Max Display Size.....1' x 1' [30 cm x 30 cm]
 Standard RPM.....2
 Torque Output @ 2 RPM.....2.5 in-lbs [0.3 Nm]
 Motor Draw.....0.04 A (4 watts)
 Safety Clutch.....Standard Feature
 Shipping Weight.....2 lbs [1.0 kg]



Dynapac Rotating Company Inc.
 338 Hansen Ave., Salt Lake City, UT 84115
 Phone: 801-485-2221 • Fax: 801-485-2254
 email: info@dynapacrotating.com • www.dynapacrotating.com