

Model IR-10

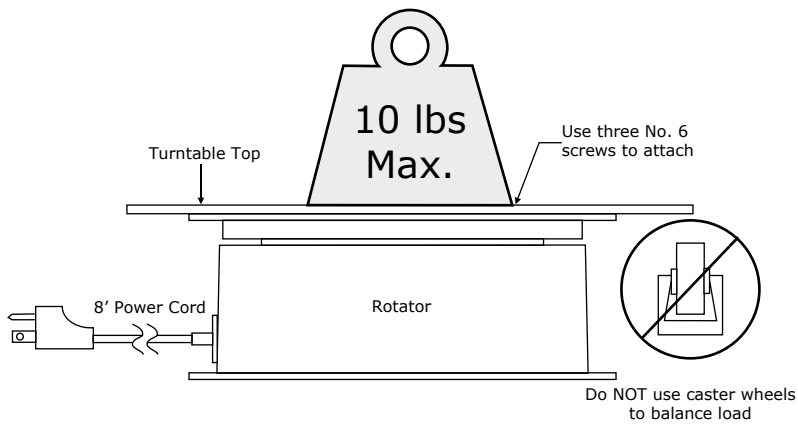
Installation and Maintenance Instructions

Questions? Call 800-657-2650 for help

For ALL installations:

- Display or sign load MUST be balanced.
- Do NOT use stabilizer casters or wheels.
- Do NOT exceed rated capacity of unit.

Display or Sign mounted on TOP of Rotator:



- Maximum compressive weight = 10 lbs.
- Maximum recommended display size = 1' x 1"
- Larger diameter turntable top may be attached to rotator turntable.
- Weight MUST be balanced (add a counter weight if needed).
- Do NOT use caster wheels to support turntable.

WARNING! Do NOT hang weight from unit.
Hanging Weight will cause unit to come apart and fall.

Maintenance:

No regular maintenance is required for this unit.






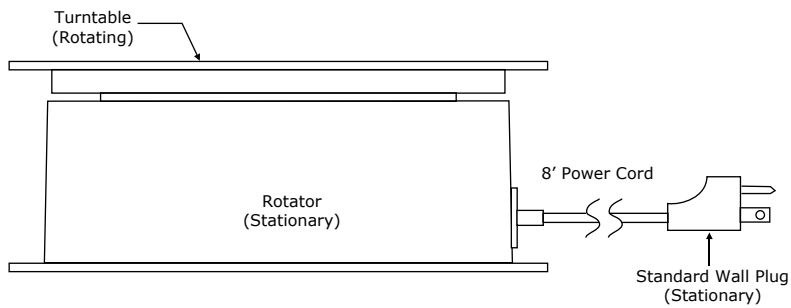
Phone: 800-657-2650
Email: info@dynapacrotating.com
www.dynapacrotating.com

Model IR-10

Electrical Connections

Questions? Call 800-657-2650 for help

 WARNING	
	Disconnect power before servicing or installing. Do not touch any electrical components while unit is connected to power source.
	Keep hands clear while operating. Read installation and maintenance instructions prior to operation.



- Plug unit into wall to begin rotating.
- Motor power draw = .04 A (4 watts)

