

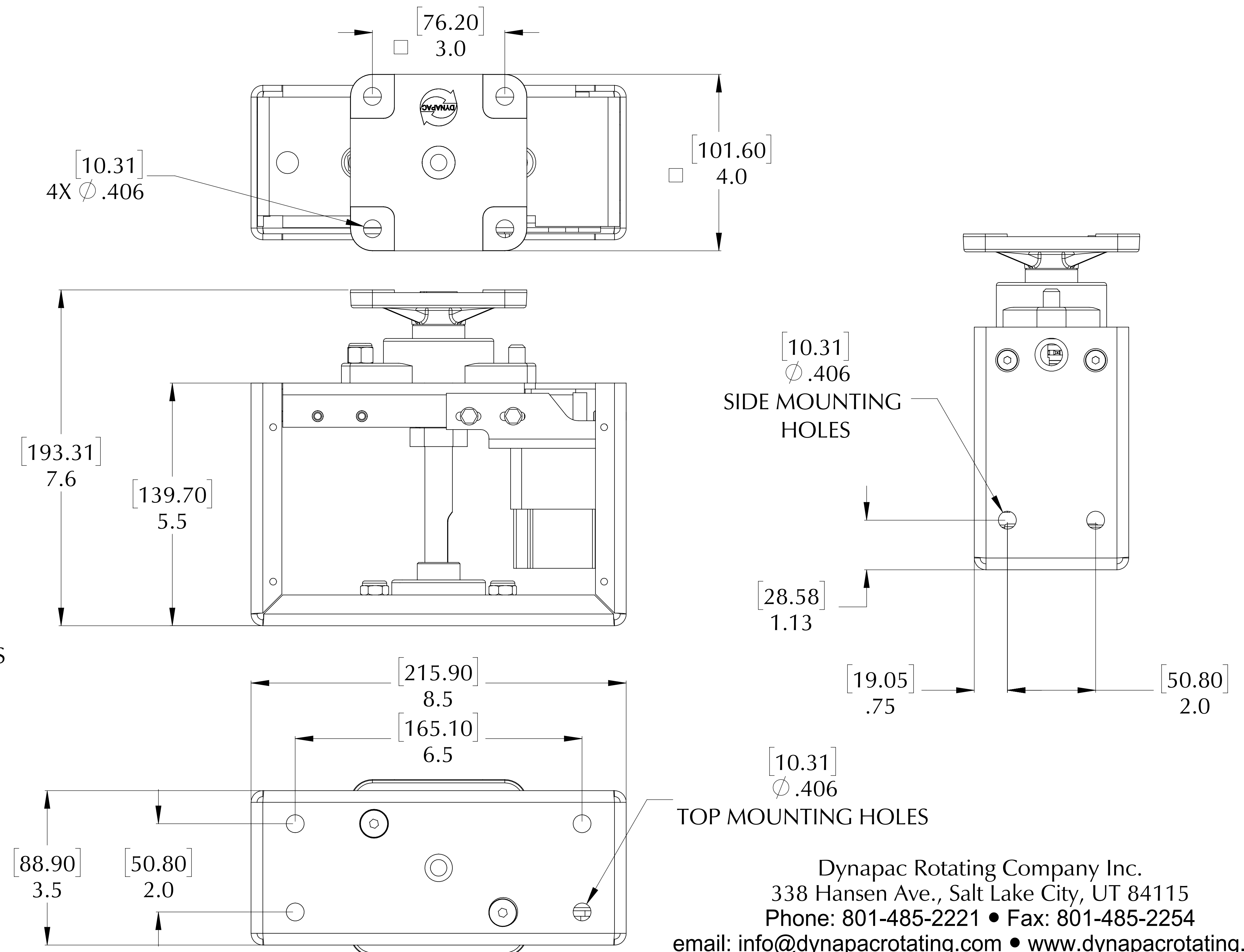
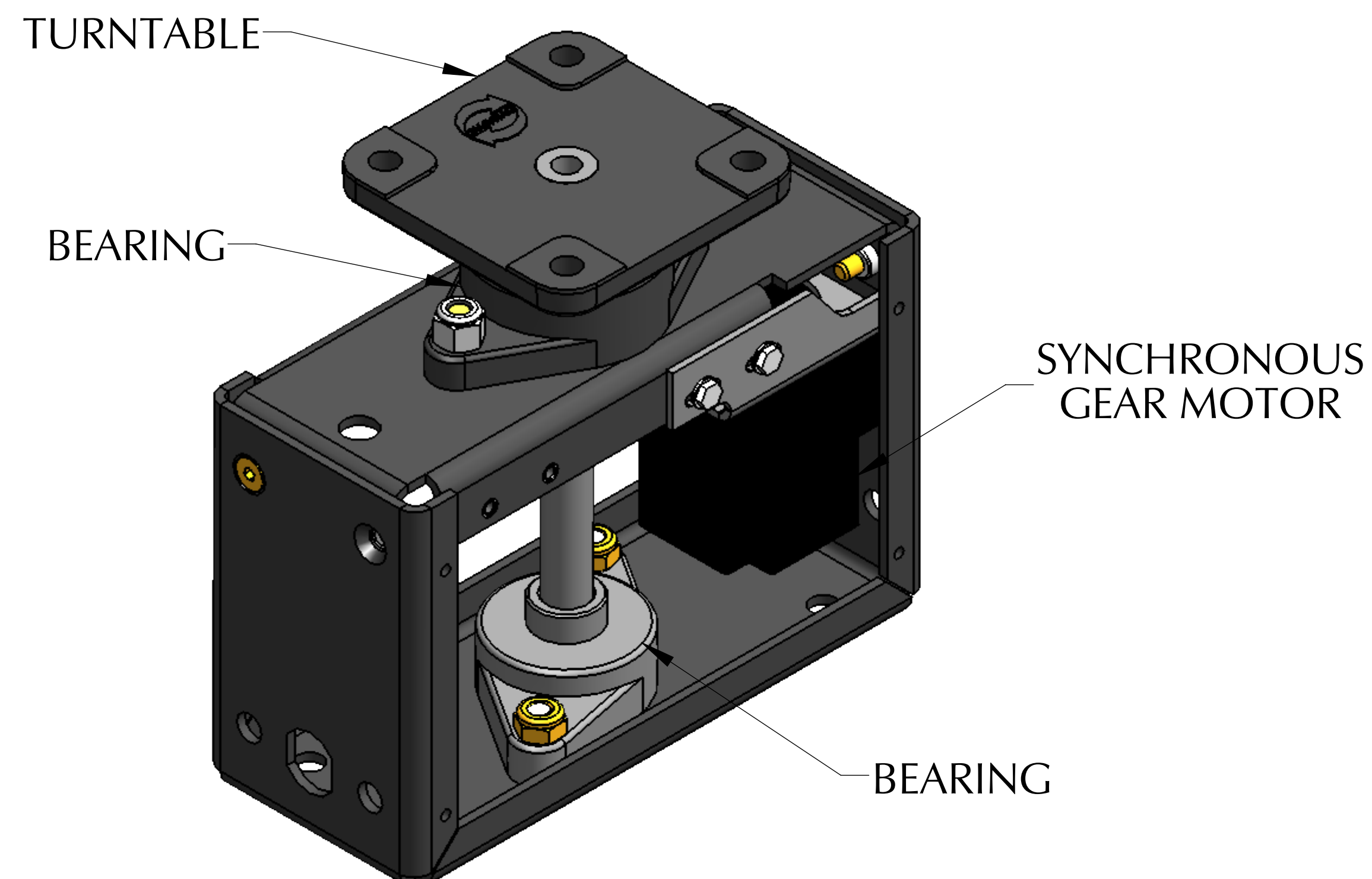


IG-5 Less Collector Ring

Part Number: 155001 021HD

This workhorse model was designed specifically with continuous 24-hour trouble-free rotation in mind. Outfitted with a rugged chain drive, a heavy 10 gauge steel frame, and two heavy-duty bearings, this unit can easily rotate up to 400 lbs.

- Hanging Weight Capacity.....300 lbs [136 kg]
- Compressive Weight Capacity.....400 lbs [181 kg]
- Max Display Size.....5' x 5' [1.5m x 1.5m]
- Standard RPM.....2
- Torque Output @ 2 RPM.....39 in-lbs [4.4 Nm]
- Motor Draw.....0.1A (12 watts)
- Safety Clutch.....Standard Feature
- Shipping Weight.....12 lbs [5.4 kg]



Dynapac Rotating Company Inc.
 338 Hansen Ave., Salt Lake City, UT 84115
 Phone: 801-485-2221 • Fax: 801-485-2254
 email: info@dynapacrotating.com • www.dynapacrotating.com