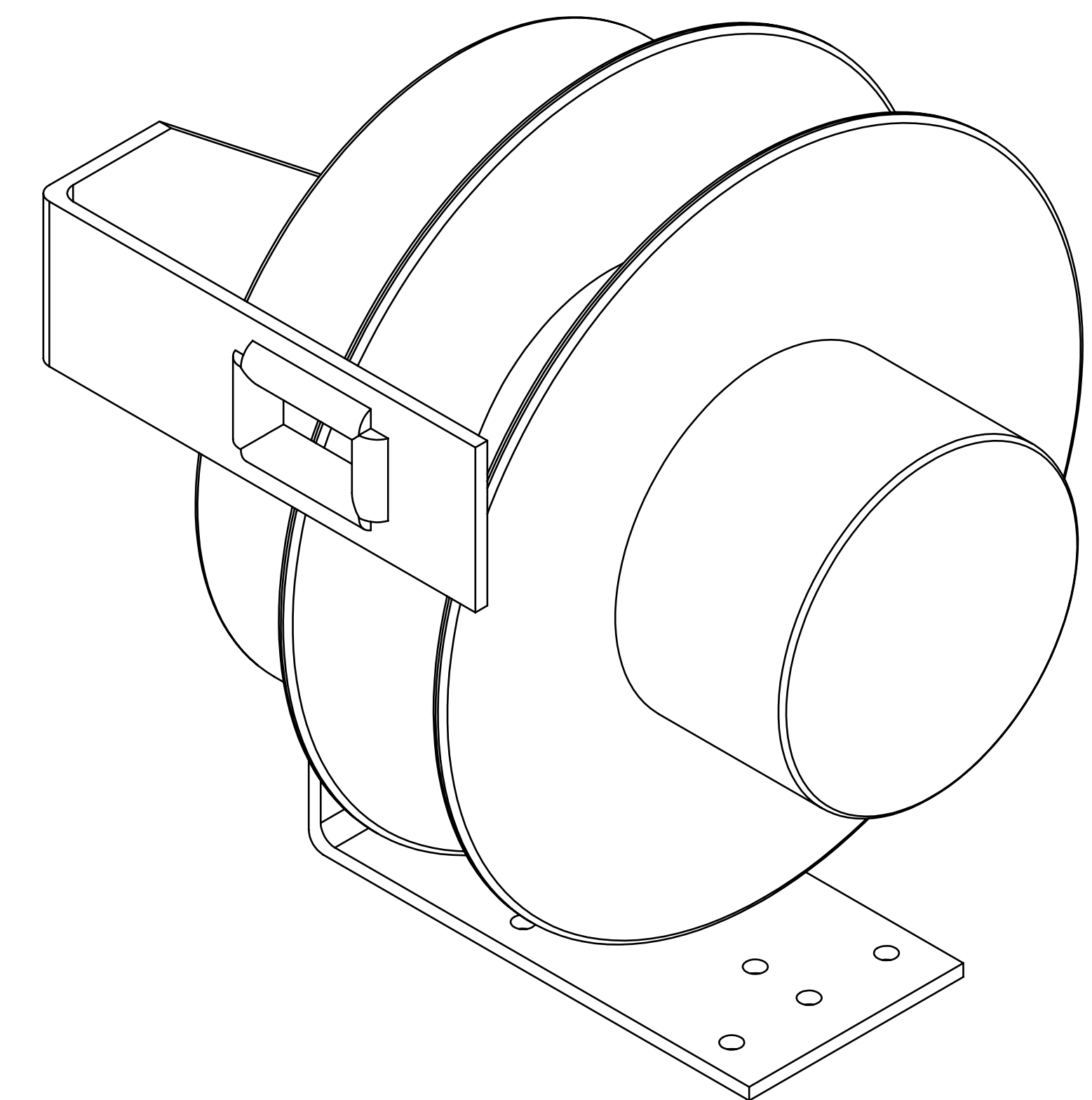
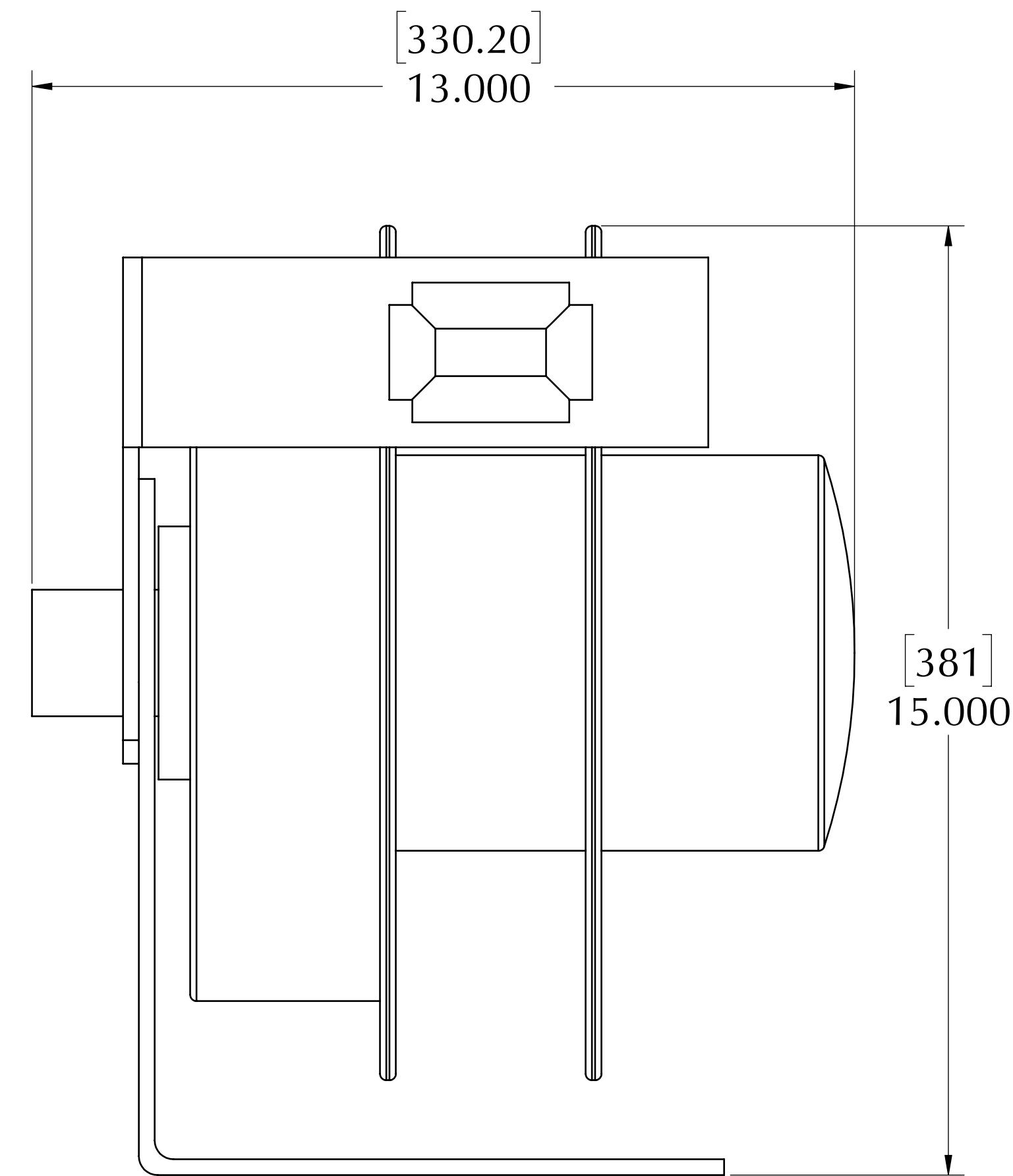
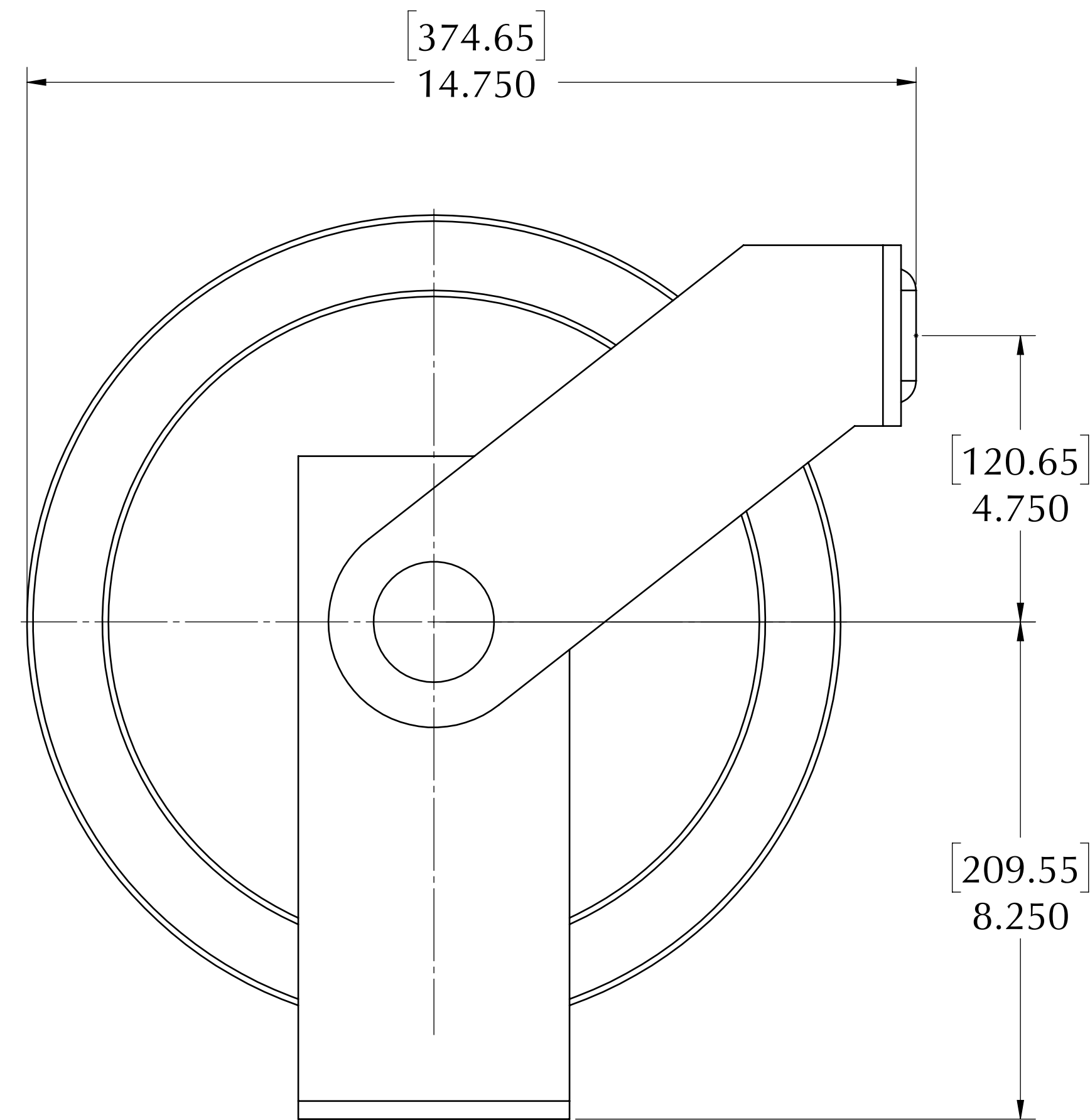


REVISIONS			
REV.	DESCRIPTION	DATE	APPROVED

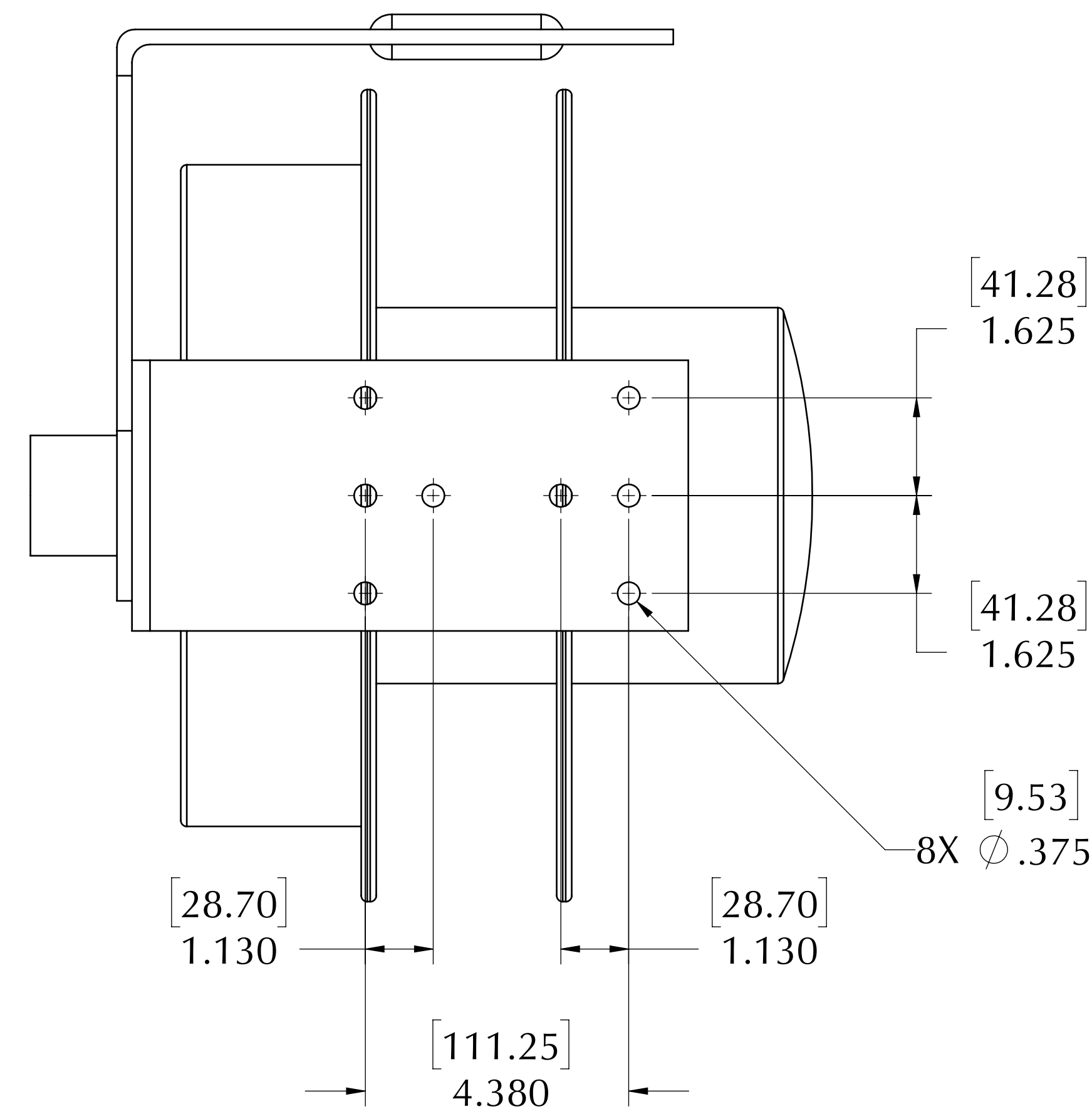
ELECTRICAL CABLE REEL



Cable Droop	
Span	Droop
10'	4"
20'	8"
30'	14"

NOTES:

- STANDARD WIRE CONFIGURATION = 3 WIRE/15A
- OPTIONAL WIRE CONFIGURATION = 7 WIRE/15A
- SILVER BRUSHES AND RINGS FOR LONG LIFE
- TRAVEL DISTANCE = 30' (9.1 m)



PROPRIETARY AND CONFIDENTIAL
 THE INFORMATION CONTAINED IN THIS DRAWING IS THE SOLE PROPERTY OF DYNAPAC ROTATING CO., INC. ANY REPRODUCTION IN PART OR AS A WHOLE WITHOUT THE WRITTEN PERMISSION OF DYNAPAC ROTATING CO., INC. IS PROHIBITED.
 © COPYRIGHT DYNAPAC ROTATING CO., INC. ALL RIGHTS RESERVED

UNLESS OTHERWISE SPECIFIED DIMENSIONS ARE IN INCHES	APPROVALS	DATE	DYNAPAC ROTATING CO.
TOLERANCES:	DRAWN	01/01/2018	SALT LAKE CITY, UTAH
FRACTIONAL ± 1/32	Admin		
CHECKED			
ANGULAR ± 2°			
DECIMAL .X ± .125	ENG APPR.		
.XX ± .050			
.XXX ± .010			
MATERIAL Plain Carbon Steel	APPLICATION	SIZE	DWG. NO.
FINISH	NEXT ASSY	D	689415
	FINAL ASSY	SCALE: 1:2	REV X-08
			SHEET 1 OF 2