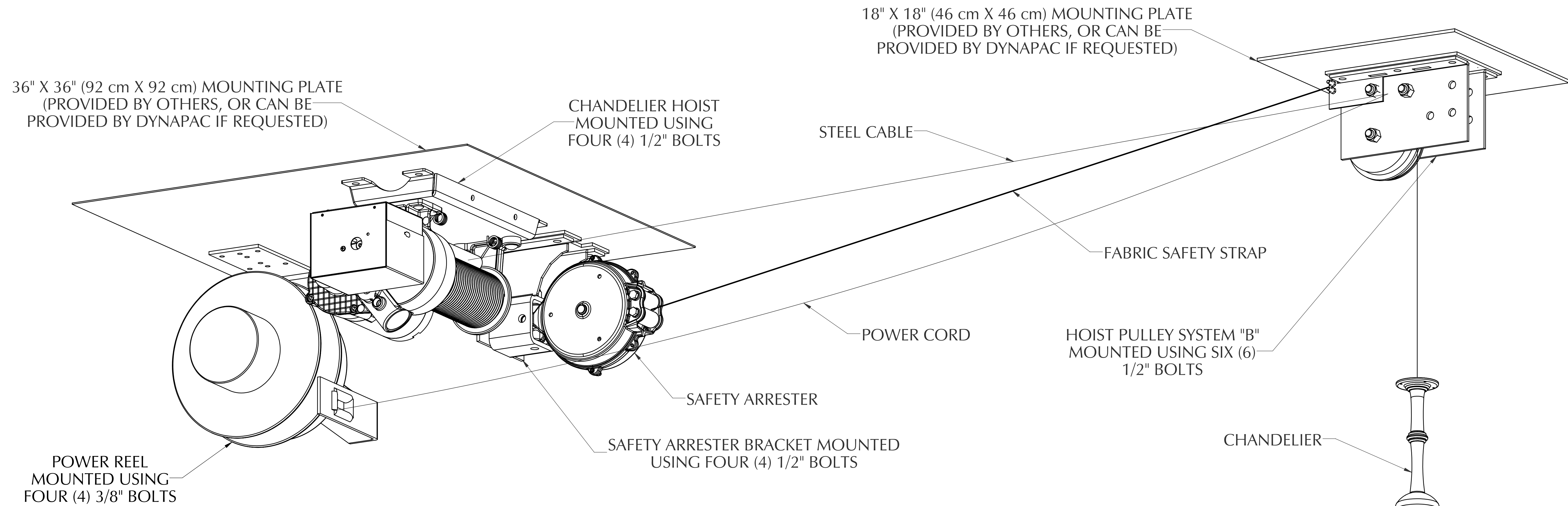


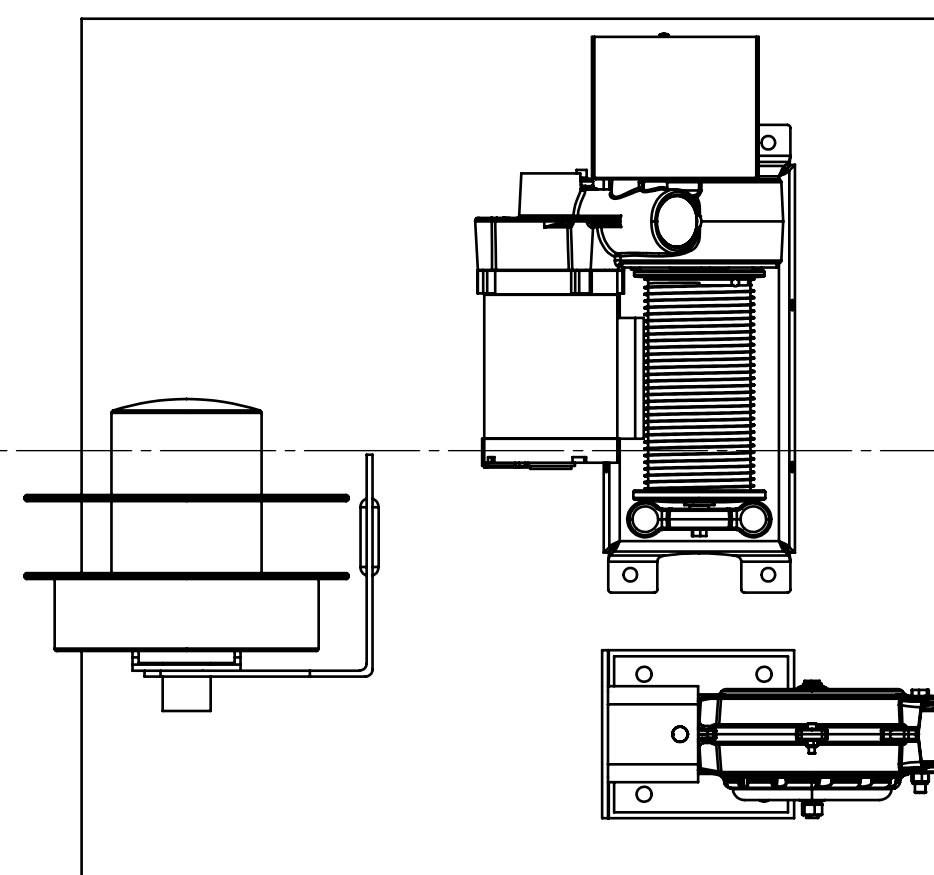
CHANDELIER HOIST SYSTEM CONFIGURATION "B"



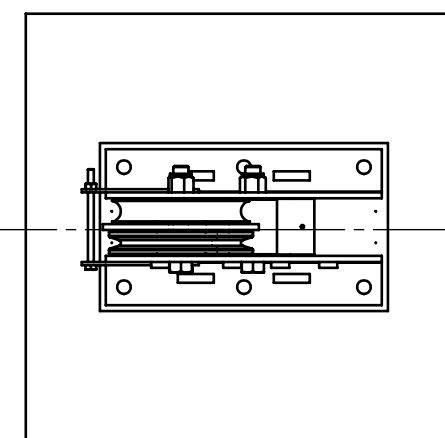
NOTES:

1. SYSTEM CAN BE PLATFORM (FLOOR) OR OVERHEAD (CEILING) MOUNTED, SPECIFY AT TIME OF ORDER.
2. IF MOUNTING PLATES ARE TO BE IMBEDDED IN CEILING A 3" (8 cm) SPACE ABOVE PLATE IS REQUIRED TO INSTALL BOLTS THROUGH PLATES.
3. FLEET ANGLE FOR "ANY" PART OF SYSTEM SHOULD NOT EXCEED 2°.
4. FOR EVERY 12' (3.7m) OF VERTICAL DROP, HOIST SHOULD BE 6' (1.8m) AWAY FROM PULLEY SYSTEM.

MAX WEIGHT CAPACITY: 1000 LB (453 KG)



PLAN VIEW



UNLESS OTHERWISE SPECIFIED DIMENSIONS ARE IN INCHES		APPROVALS	DATE	DYNAPAC ROTATING CO. SALT LAKE CITY, UTAH
TOLERANCES:		ALEX CAMPBELL	5/16/16	
FRACTIONAL	± 1/32	CHECKED		
ANGULAR	± 2"	ENG APPR.		
DECIMAL	.XX ± 0.00 .XXX ± 0.010			
MATERIAL		APPLICATION	SIZE	DWG. NO.
FINISH		NEXT ASSY	D	LDS CHANDELIER WINCH CONFIGURATION E
FINISH ASSY		SCALE: 1:4		REV X-13
SHEET 1 OF 4				

PROPRIETARY AND CONFIDENTIAL
THE INFORMATION CONTAINED IN THIS DRAWING IS THE SOLE PROPERTY OF DYNAPAC ROTATING CO., INC. ANY REPLICATION IN PART OR AS A WHOLE WITHOUT THE WRITTEN PERMISSION OF DYNAPAC ROTATING CO., INC. IS PROHIBITED.
COPYRIGHT DYNAPAC ROTATING CO., INC. ALL RIGHTS RESERVED.