

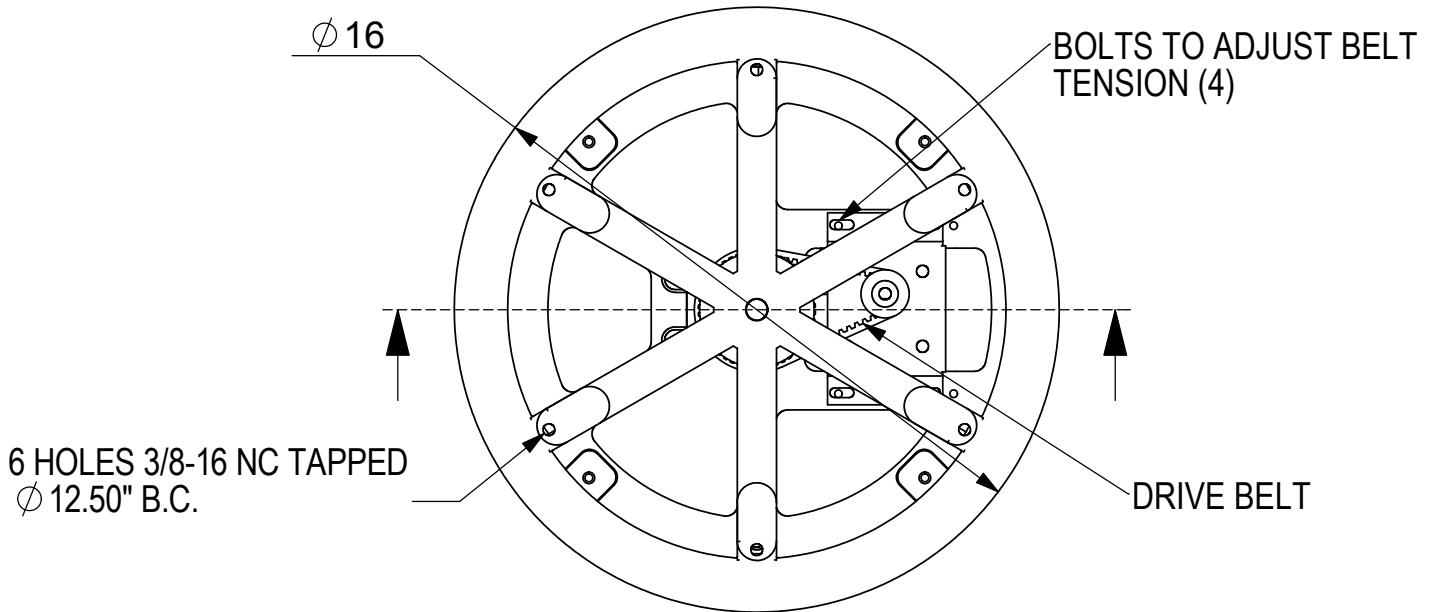
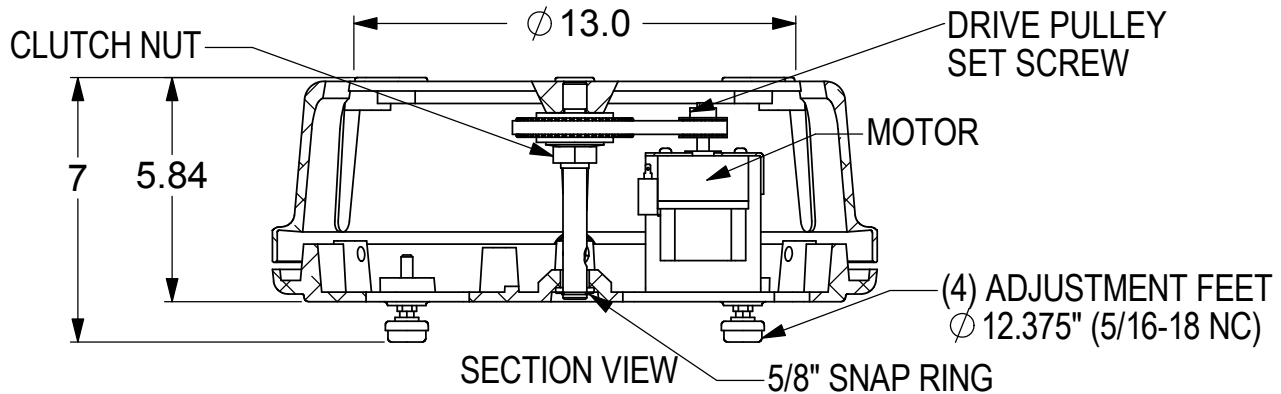
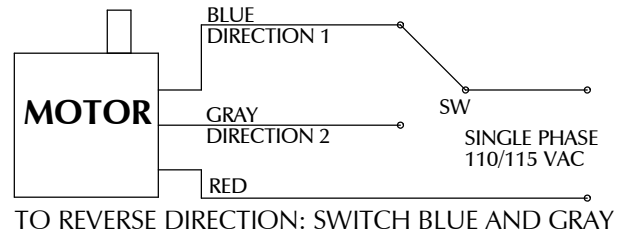
Model IR-300

(Part # 156006 021HD)

The IR-300 turntable has been designed with reliability, stability and ruggedness in mind. Precision nylon tapered roller wheels provide a quiet rolling surface on a machined race. A safety torque relief clutch provides assurance that the turntable will slip under overload conditions, rather than damage the motor. The three-wire grounded, switched input cord makes installation simple. The sizable 16-inch turntable provides a stable mounting surface that gives ACTION ATTRACTION to any display need.

WEIGHT CAPACITY.....300 lbs
 MAX. ALLOWABLE SIZE.....4' X 4'
 HANGING WEIGHT CAPACITY.....none
 RPM'S AVAILABLE.....1, 2 (standard), 3, 4, or 6
 TORQUE OUTPUT @ 2 RPM.....40 In-lbs
 MOTOR DRAW(@115 Volts)..... 0.1A (12 watts)
 POWER CORD.....10' grounded with inline switch
 SAFETY CLUTCH.....Standard feature
 MAIN DRIVE.....Timing Belt
 SHIPPING WEIGHT.....21 lbs

MOTOR WIRE DIAGRAM



DYNAPAC ROTATING COMPANY, INC.

338 Hansen Ave. • Salt Lake City, Utah 84115-5115
 Phone 800-657-2650 • 801-485-2221 • Fax 801-485-2254
 email: info@dynamapacrotating.com • www.dynamapacrotating.com