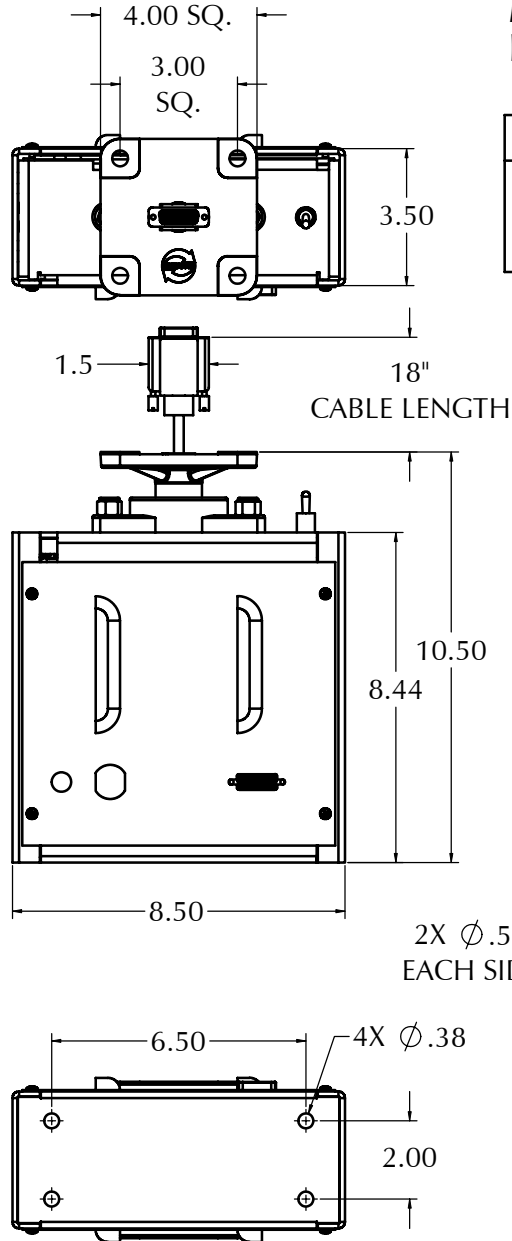


REVISIONS			
REV.	DESCRIPTION	DATE	APPROVED

MODEL IV-400 VIDEO SIGNAL ROTATOR PART# 155001 P21VID

SPECIFICATIONS

WEIGHT CAPACITY: 400 LBS.
 AVAILABLE RPM SPEED: 1,2(STD),3,4,6
 MOTOR DRAW: 0.1A (12W)
 SAFETY CLUTCH: YES



20 WIRE FEMALE CONNECTOR
(ATTACH OPTIONAL
CONNECTOR CABLE HERE)

4 ROTATING
POWER WIRES
(10 AMPS EACH)

DIRECTION
CONTROL SWITCH

LOUVERED COVER

HOLE FOR OPTIONAL
POWER CORD

20 WIRE FEMALE CONNECTOR
(ATTACH OPTIONAL
CONNECTOR CABLE HERE)

OPTIONAL CONNECTOR CABLES:

NOTE:

- Two cables are required to transfer data
- Input and Output cables must be same type or part #
- Choose one of the cable types below:

561167 VGA/RCA CABLE SET (2 cables): Female VGA & 2 Female RCA connectors.

561168 DUAL CAT.5 CABLE SET (2 cables): 2 Female shielded CAT.5 connectors.

ADDITIONAL OPTIONS AVAILABLE:

661161 3' POWER CORD WITH MALE PLUG

DYNAPAC ROTATING CO.

UNLESS OTHERWISE SPECIFIED, DIMENSIONS ARE IN INCHES		DESIGNER: AMMON ENCE	DATE: 01/02/00	DYNAPAC ROTATING CO. SALT LAKE CITY, UTAH
TOLERANCES:	FRACTIONAL: ± .010	DECIMAL: ± .005	ANGLE: ± .5°	
FINISH:	X: #10	Y: #10	Z: #10	PROJECT: P21VID DRAWING: 155001 P21VID-05 SCALE: 2:3 SHEET 1 OF 1