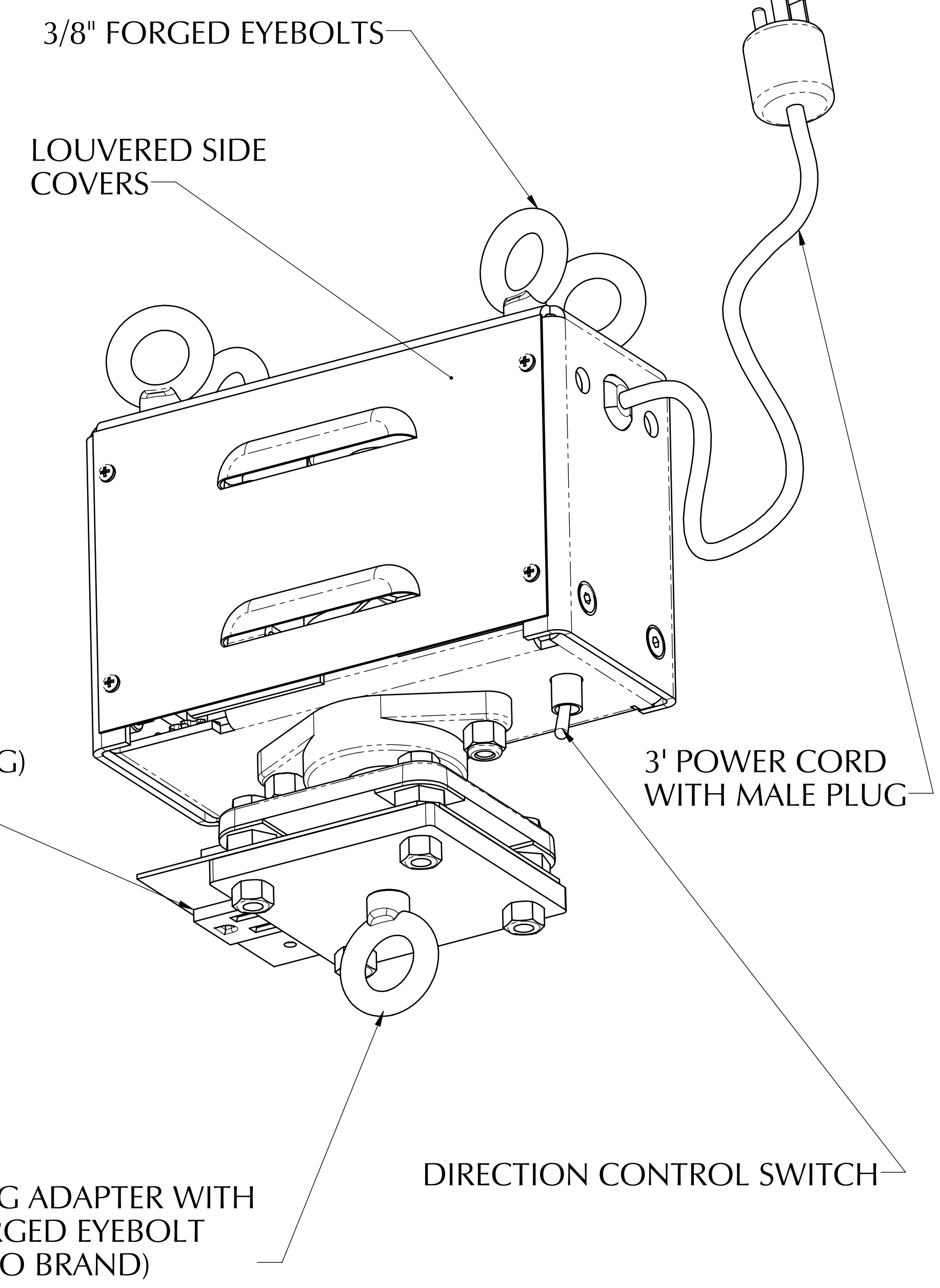
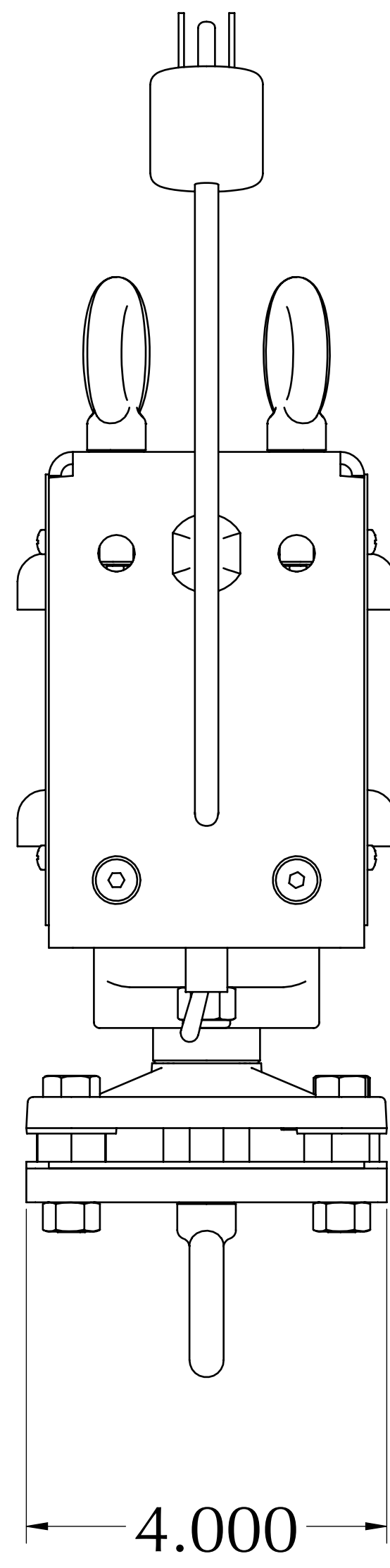
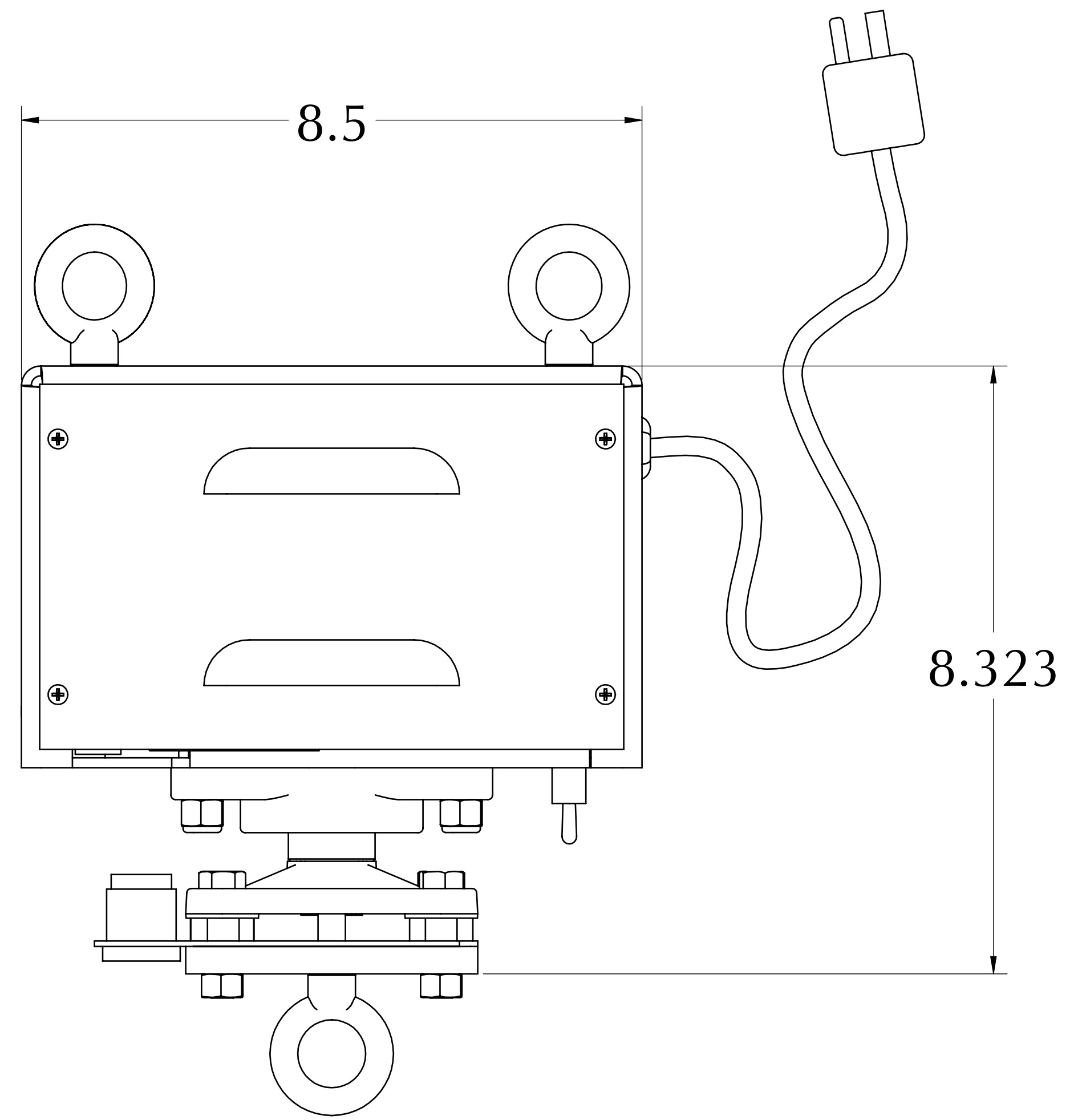
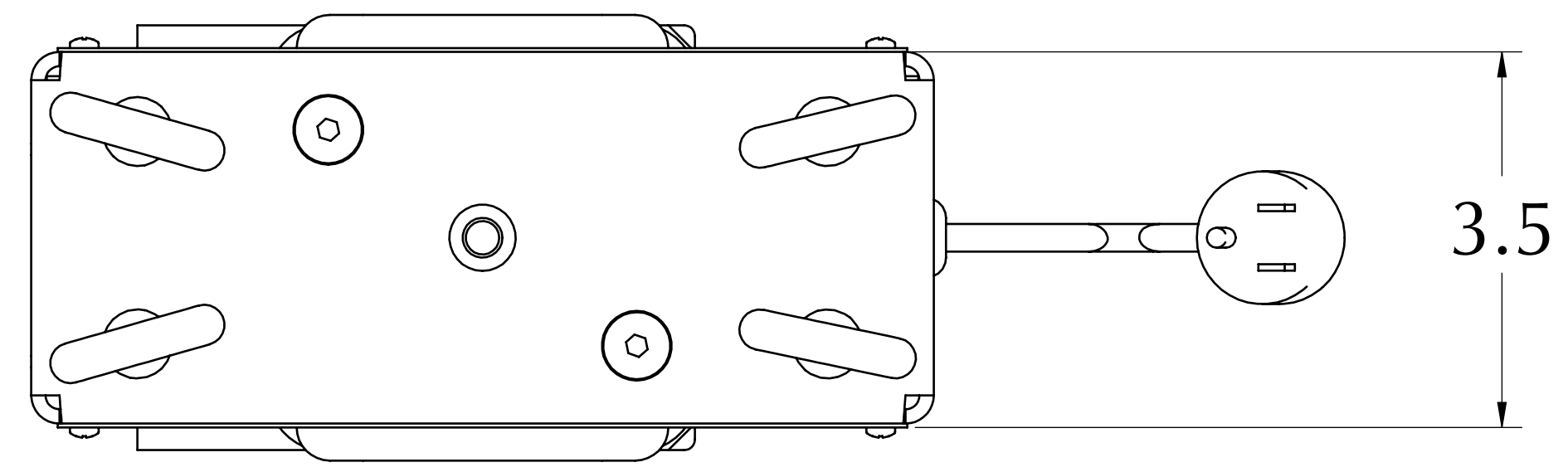


REVISIONS			
REV.	DESCRIPTION	DATE	APPROVED

MODEL IG-5 HANGING ROTATOR (WITH SPINNING POWER CORD) PART # 155001 321HANG

HANGING WEIGHT CAPACITY: 300 LBS.
 AVAILABLE RPM SPEEDS: 1, 2(STD), 3 4, 6
 MOTOR DRAW: 0.1A (12W)
 SAFETY CLUTCH: YES
 OUTPUT POWER PLUG CAPACITY: 15 AMP



- ACCESSORIES INCLUDED**
- 537183 1 HANGING ADAPTER 3/8" EYEBOLT
 - 660201 FORGED EYEBOLTS IN FRAME (4 EA.)
 - 537105 LOUVERED SHEET METAL COVERS (2 EA.)
 - CORDSET 14/3 SJO CORD WITH MALE PLUG (3 FOOT)
 - 639287 FEMALE PLUG (ROTATING)
 - G4X848 DIRECTION CONTROL SWITCH (C.W. - OFF - C.C.W)

IG-5 HANGING ROTATOR WITH COLLECTOR RING			
UNLESS OTHERWISE SPECIFIED DIMENSIONS ARE IN INCHES	APPROVALS	DATE	DYNAPAC ROTATING CO. SALT LAKE CITY, UTAH
TOLERANCES:	DRAWN		
FRACTIONAL ± 1/32	CHECKED		
ANGULAR ± 2°	ENG APPR.		
DECIMAL .XX ± 0.00 .XXX ± 0.010			
MATERIAL	APPLICATION	SIZE DWG. NO.	REV
FINISH	NEXT ASSY	D 155001 321HANG	B-01
	FINAL ASSY	SCALE: 2:3	SHEET 1 OF 1

PROPRIETARY AND CONFIDENTIAL
 THE INFORMATION CONTAINED IN THIS DRAWING IS THE SOLE PROPERTY OF DYNAPAC ROTATING CO. INC. ANY REPRODUCTION IN PART OR AS A WHOLE WITHOUT THE WRITTEN PERMISSION OF DYNAPAC ROTATING CO. INC. IS PROHIBITED.
 © COPYRIGHT DYNAPAC ROTATING CO. INC. ALL RIGHTS RESERVED