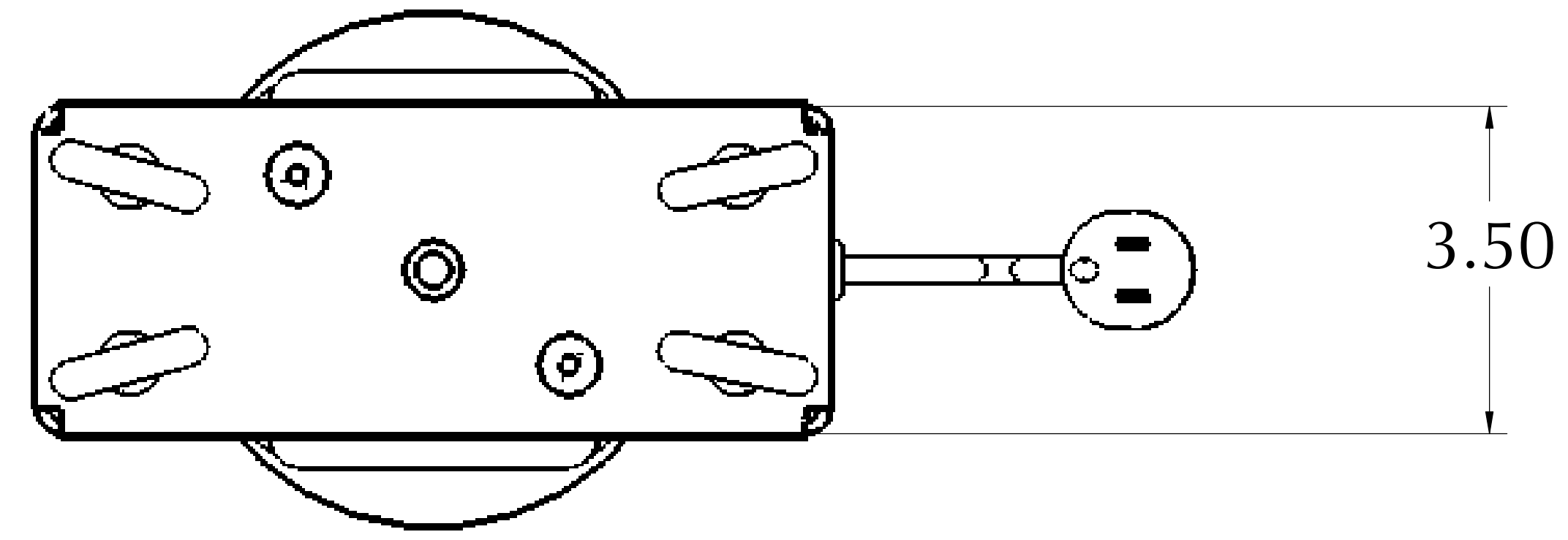


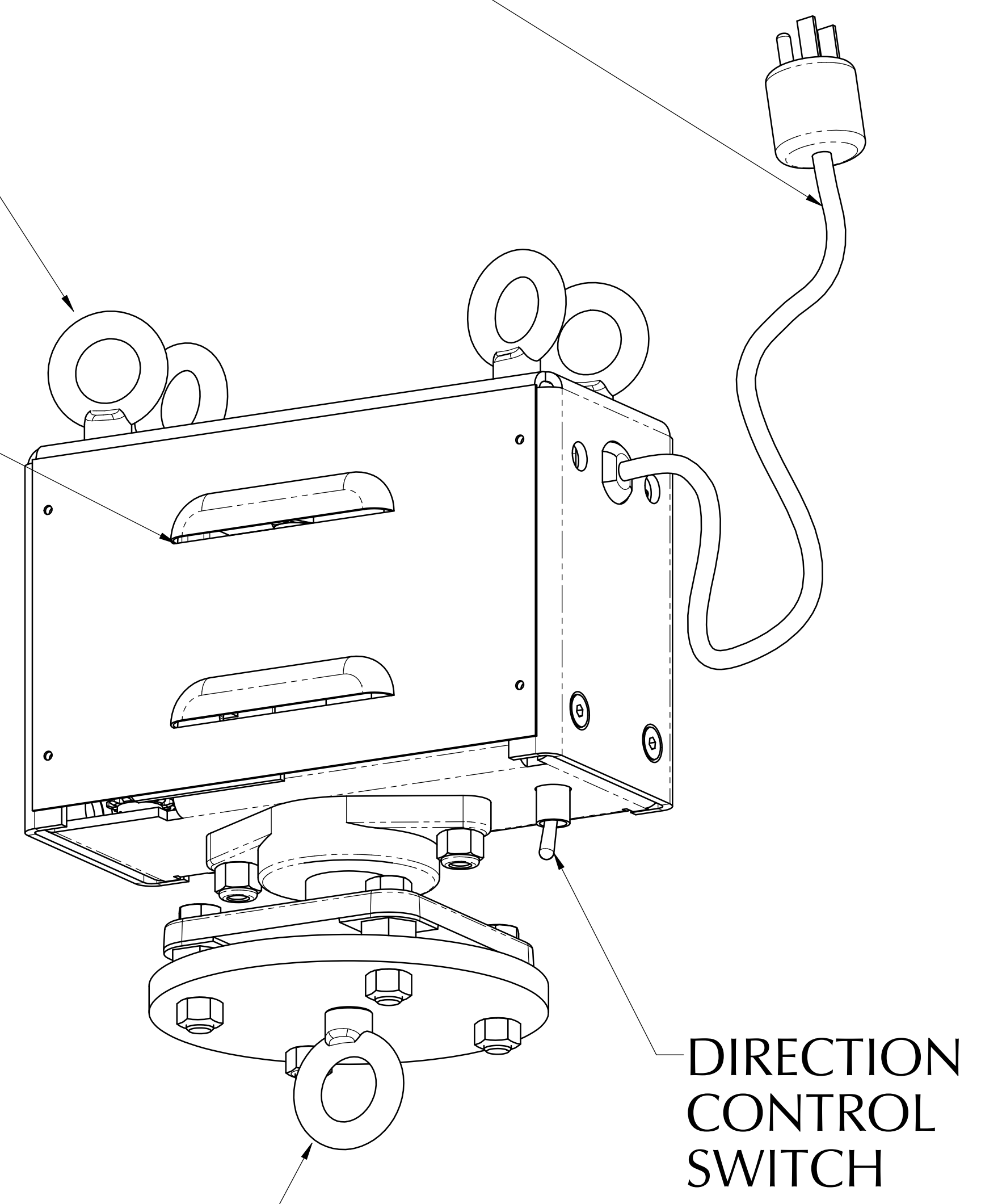
REVISIONS			
REV.	DESCRIPTION	DATE	APPROVED



3 FOOT POWER CORD WITH MALE PLUG

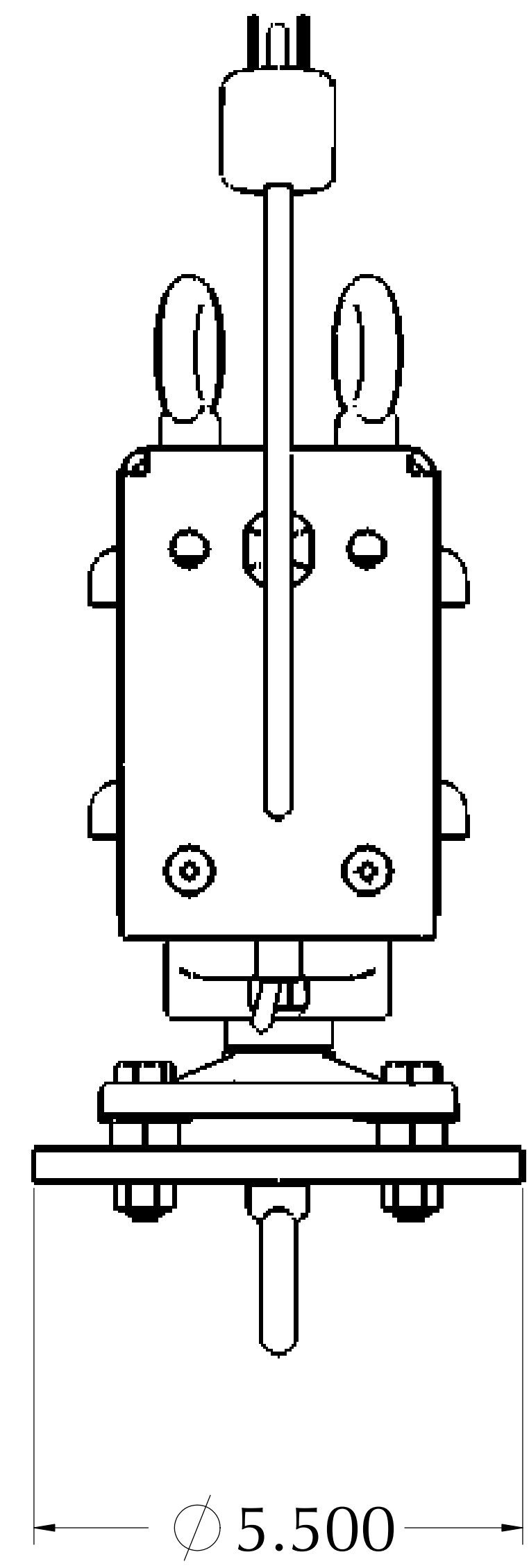
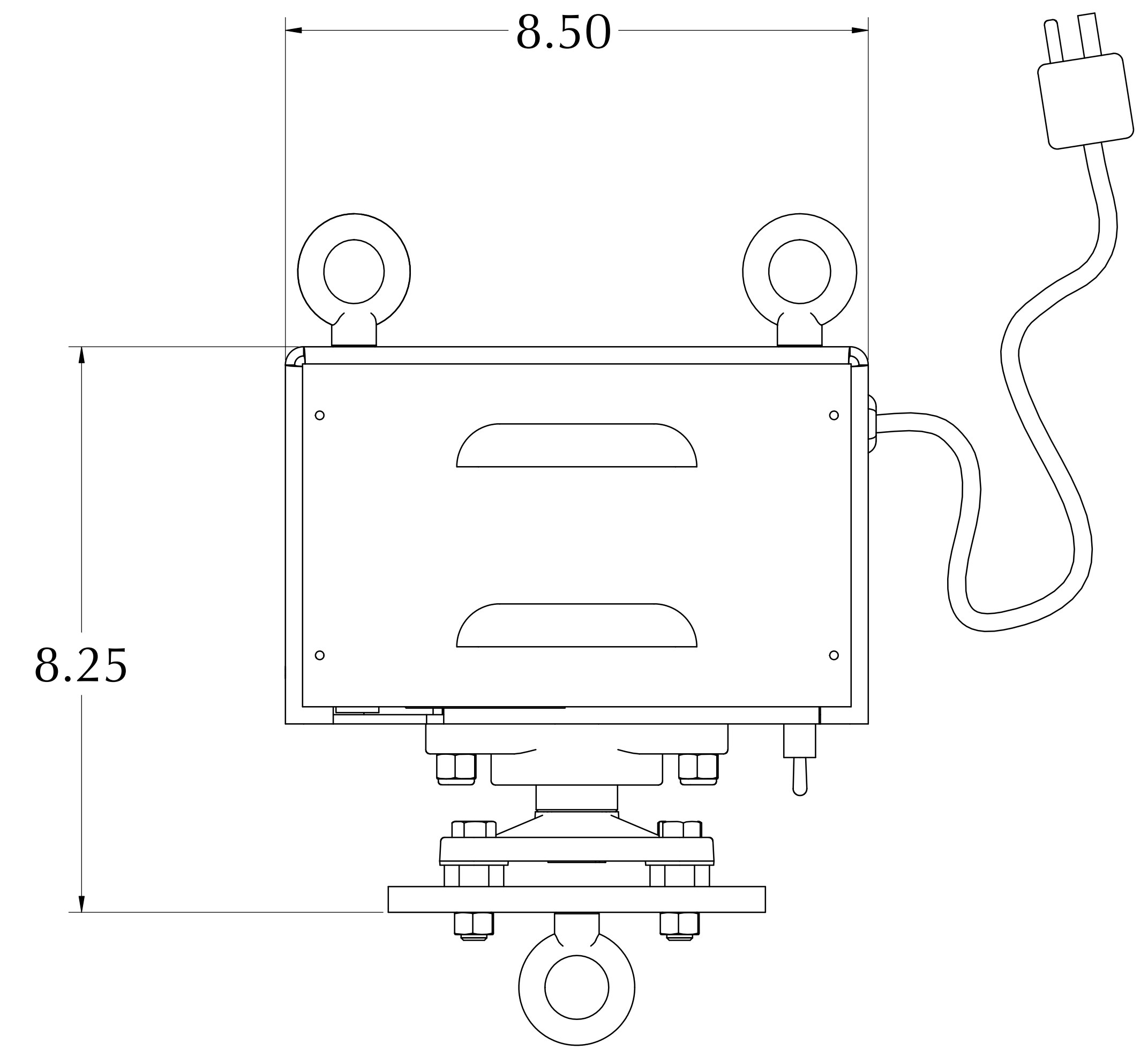
3/8" FORGED EYEBOLT

LOUVERED SHEET METAL COVER



HANGING ADAPTER WITH 3/8" FORGED EYEBOLT

DIRECTION CONTROL SWITCH



**MODEL IG-5 HANGING ROTATOR  
(NO SPINNING POWER CORD)  
PART # 155001 021HANG**

HANGING WEIGHT CAPACITY: 300 LBS.  
AVAILABLE RPM SPEEDS: 1, 2(STD), 3 4, 6  
MOTOR DRAW: 0.1A (12W)  
SAFETY CLUTCH: YES

- ACCESSORIES INCLUDED:**
- 537183 1 HANGING ADAPTER 3/8" EYEBOLT
  - 660201 3/8" FORGED EYEBOLTS IN FRAME (4 EA.)
  - 537105 LOUVERED SHEET METAL COVERS (2 EA.)
  - CORDSET 16/3 SJO CORD WITH MALE PLUG (3 FOOT)
  - G4X848 DIRECTION CONTROL SWITCH (C.W. - OFF - C.C.W)

IG-5 HANGING ROTATOR WITH COLLECTOR RING			
UNLESS OTHERWISE SPECIFIED DIMENSIONS ARE IN INCHES		APPROVALS	DATE
TOLERANCES:		DRAWN	
FRACTIONAL	± 1/32	CHECKED	
ANGULAR	± 2"	ENG. APPR.	
DECIMAL	.XX ±.010 .XXX ±.010		
MATERIAL		APPLICATION	SIZE DWG. NO. REV
FINISH		NEXT ASSY	D 155001 021HANG
		FINAL ASSY	SCALE: 2:3 SHEET 1 OF 1

PROPRIETARY AND CONFIDENTIAL  
THE INFORMATION CONTAINED IN THIS DRAWING IS THE SOLE PROPERTY OF DYNAPAC ROTATING CO. INC. ANY REPLICATION IN PART OR AS A WHOLE WITHOUT THE WRITTEN PERMISSION OF DYNAPAC ROTATING CO. INC. IS PROHIBITED.  
© COPYRIGHT DYNAPAC ROTATING CO. INC. ALL RIGHTS RESERVED

**DYNAPAC ROTATING CO.  
SALT LAKE CITY, UTAH**

