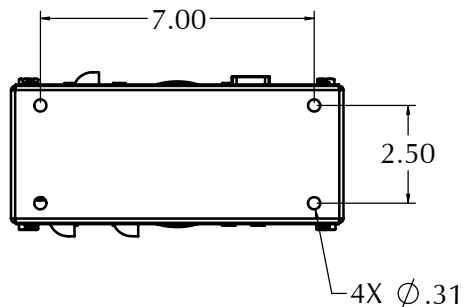
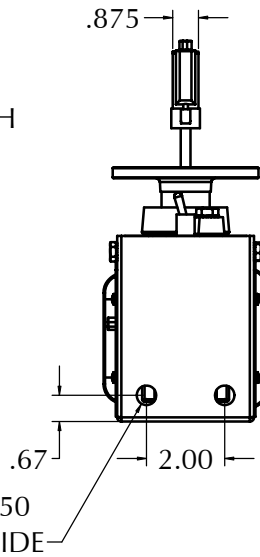
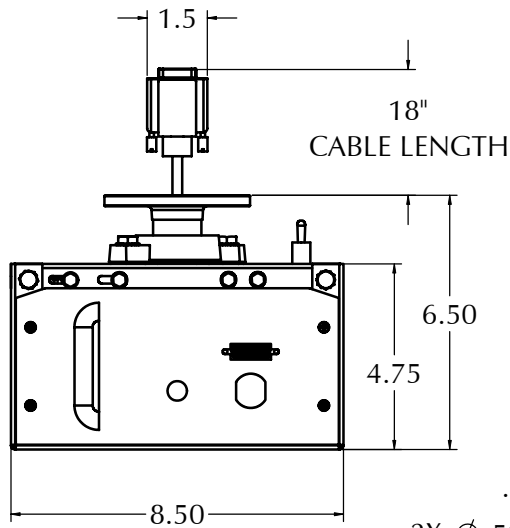
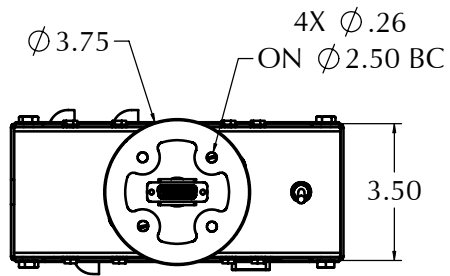


REVISIONS			
REV.	DESCRIPTION	DATE	APPROVED

MODEL IV-150 VIDEO SIGNAL ROTATOR PART# 150001 P21CVID

SPECIFICATIONS	
WEIGHT CAPACITY:	150 LBS.
AVAILABLE RPM SPEEDS:	1,2(STD),3,4,6
MOTOR DRAW:	0.1A (12W)
SAFETY CLUTCH:	YES



20 WIRE FEMALE CONNECTOR
(ATTACH OPTIONAL
CONNECTOR CABLE HERE)

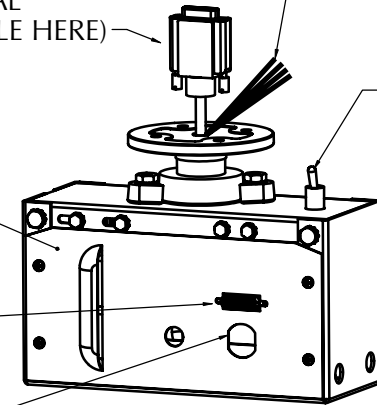
4 ROTATING
POWER WIRES
(10 AMPS EACH)

DIRECTION
CONTROL
SWITCH

LOUVERED COVER

20 WIRE FEMALE CONNECTOR
(ATTACH OPTIONAL
CONNECTOR CABLE HERE)

HOLE FOR OPTIONAL
POWER CORD



OPTIONAL CONNECTOR CABLES:

NOTE:

1. Two cables are required to transfer data
2. Input and Output cables must be same type or part #
3. Choose one of the cable types below:

561167 VGA/RCA CABLE SET (2 cables): Female VGA & 2 Female RCA connectors.

561168 DUAL CAT.5 CABLE SET (2 cables): 2 Female shielded CAT.5 connectors.

ADDITIONAL OPTIONS AVAILABLE:

661161 3' POWER CORD WITH MALE PLUG

DYNAPAC ROTATING CO.

PROPERTY AND CONFIDENTIAL
THE INFORMATION CONTAINED IN THIS DRAWING IS THE PROPERTY OF DYNAPAC ROTATING CO. INC. ANY REPRODUCTION IN PART OR IN WHOLE WITHOUT THE WRITTEN PERMISSION OF DYNAPAC ROTATING CO. IS PROHIBITED.
© COPYRIGHT DYNAPAC ROTATING CO. INC. ALL RIGHTS RESERVED.

ICV-150 COMPACT MODEL (24 WIRE)			
UNLESS OTHERWISE SPECIFIED DIMENSIONS ARE IN INCHES	TOLERANCES:	FINISH:	DATE:
FUNCTIONAL	$\pm .010$	AMMON ENCE	1/08/08
ASSEMBLY	$\pm .015$		
FINISH	$\pm .020$		
DATE:	XX/XX/XX		
DESIGNER:		APPLICATION:	
DATE:		SCALE:	2:3
DRWNG. NO.:	150001 P21CVID	REV.:	X-02
DYNAPAC ROTATING CO. SALT LAKE CITY, UTAH			SHEET 1 OF 1