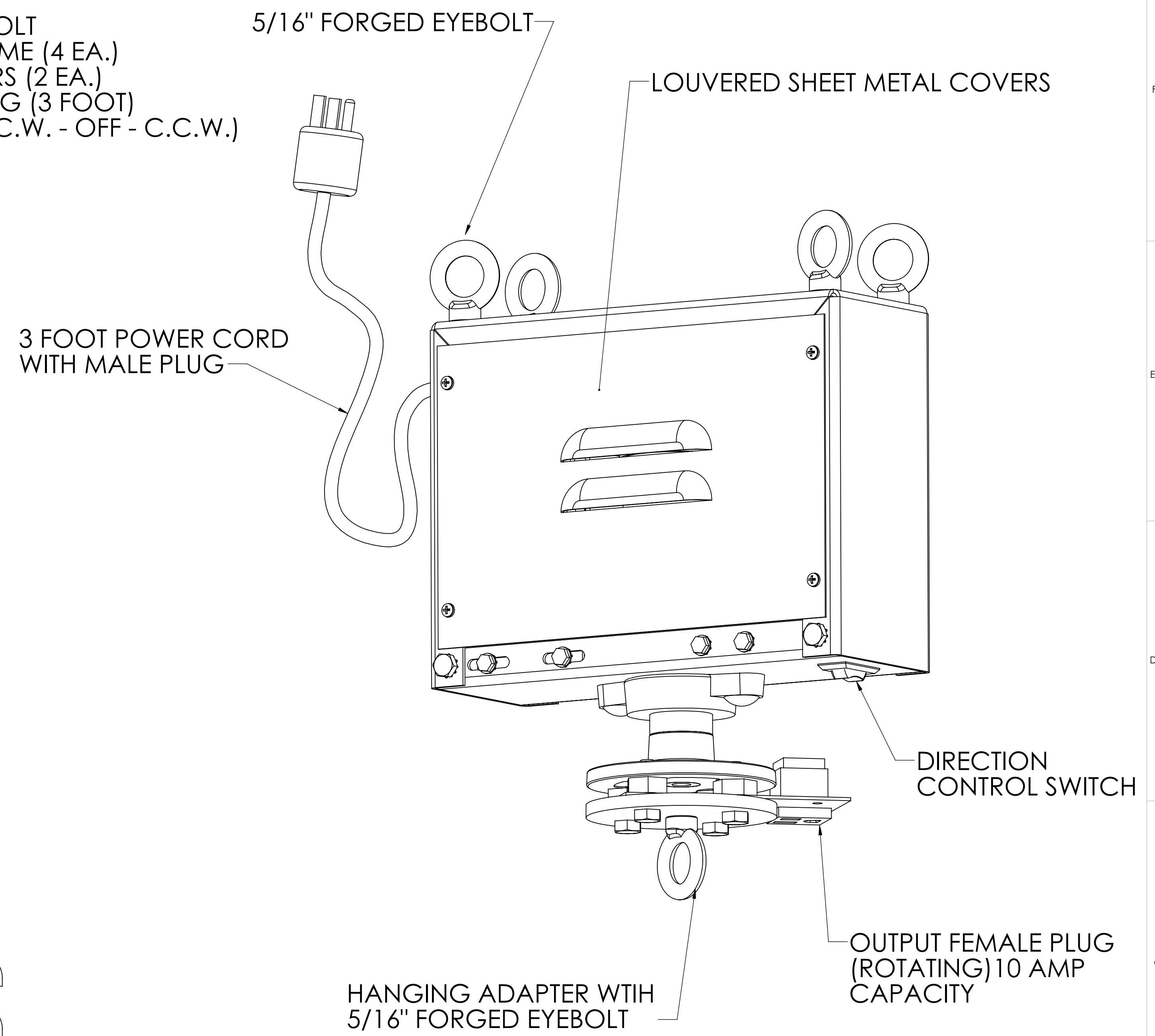
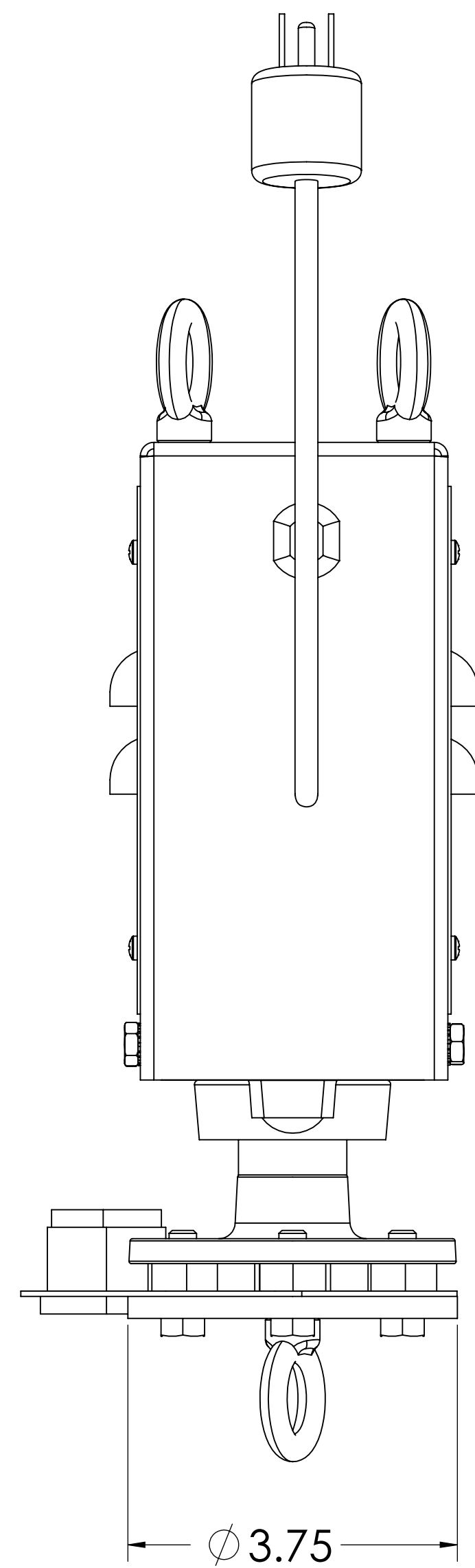
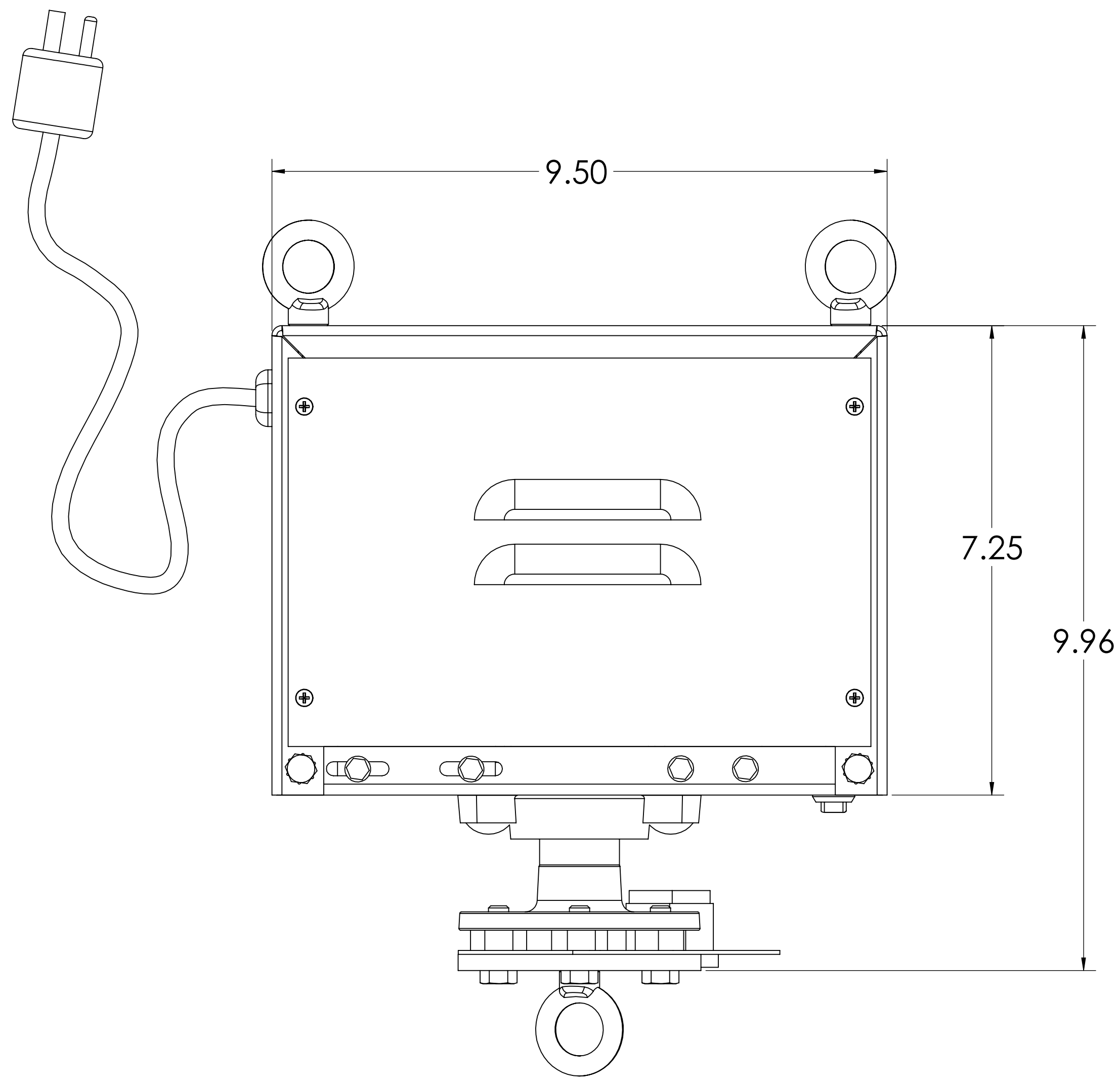
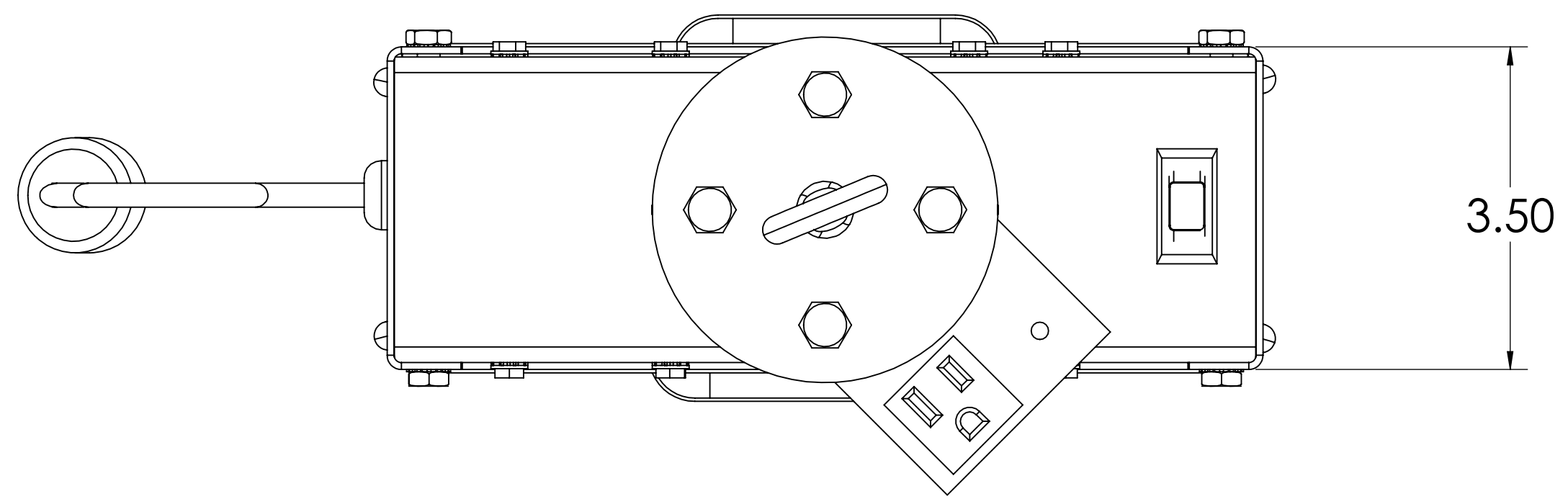


- ACCESSORIES INCLUDED:
 537140 1 HANGING ADAPTER 5/16" EYEBOLT
 660200 5/16" FORGED EYEBOLTS IN FRAME (4 EA.)
 537104 LOUVERED SHEET METAL COVERS (2 EA.)
 661161 14/3 SJO CORD WITH MALE PLUG (3 FOOT)
 661162 DIRECTION CONTROL SWITCH (C.W. - OFF - C.C.W.)
 639287 FEMALE PLUG



**MODEL IG-4 HANGING ROTATOR
 (WITH SPINNING POWER OUTLET)
 PART# 150001 321HANG**

HANGING WEIGHT CAPACITY: 200 LBS.
 AVAILABLE RPM SPEEDS: 1, 2(STD), 3, 4, 6
 MOTOR DRAW: 0.1A (12W)
 SAFETY CLUTCH: YES
 OUTPUT POWER PLUG CAPACITY: 10 AMP

UNLESS OTHERWISE SPECIFIED DIMENSIONS ARE IN INCHES		APPROVALS		DATE	DYNAPAC ROTATING CO. SALT LAKE CITY, UTAH
TOLERANCES:		DRAWN			
FRACTIONAL	± 1/32	CHECKED			
ANGULAR	± 2"	ENG APPR.			
DECIMAL	.XX ± 0.05 .XXX ± 0.10				
MATERIAL		APPLICATION		SIZE	DWG. NO.
FINISH		NEXT ASSY		D	150001 321HANG
<small>PROPRIETARY AND CONFIDENTIAL THE INFORMATION CONTAINED IN THIS DRAWING IS THE SOLE PROPERTY OF DYNAPAC ROTATING CO., INC. ANY REPLICATION IN PART OR AS A WHOLE WITHOUT THE WRITTEN PERMISSION OF DYNAPAC ROTATING CO., INC. IS PROHIBITED. © COPYRIGHT DYNAPAC ROTATING CO., INC. ALL RIGHTS RESERVED.</small>		FINAL ASSY		SCALE: 2:3	REV A-01
					SHEET 1 OF 1