

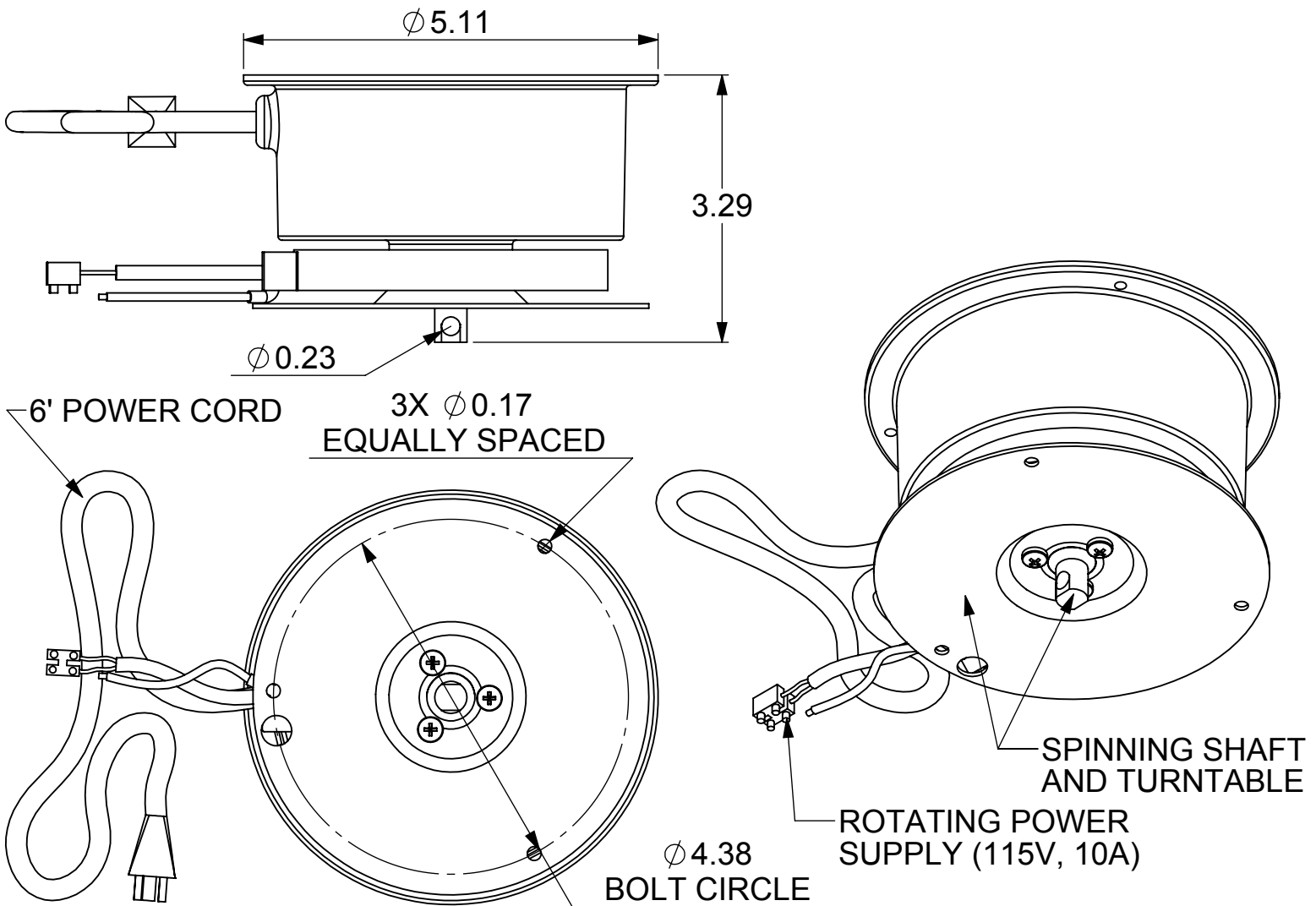
M-40 HANG

WITH ROTATING POWER CORD

(Part # 144120)

Easily hang any object weighing less than 40 lbs. with the M-40 Hanger rotator. This unit comes equipped with a small hanger hook, a 6-foot power supply cord, and a safety clutch to prevent damage to the motor when turning is obstructed. Ideal for hanging disco balls or small hanging banners.

HANGING WEIGHT CAPACITY.....	40 lbs.
MAX. HANGING DIA.....	Ø 5'
STANDARD SPEED.....	2.5 RPM
TORQUE OUTPUT @ 2.5 RPM.....	3.5 in-lbs
MOTOR DRAW(@115 Volts).....	0.02A (3 watts)
SAFETY CLUTCH.....	Standard feature
MAIN DRIVE.....	Gear Motor
SHIPPING WEIGHT.....	3 lbs.



DYNAPAC ROTATING COMPANY, INC.

338 Hansen Ave. • Salt Lake City, Utah 84115-5115
 Phone 800-657-2650 • 801-485-2221 • Fax 801-485-2254
 email: info@dynamapacrotating.com • www.dynamapacrotating.com