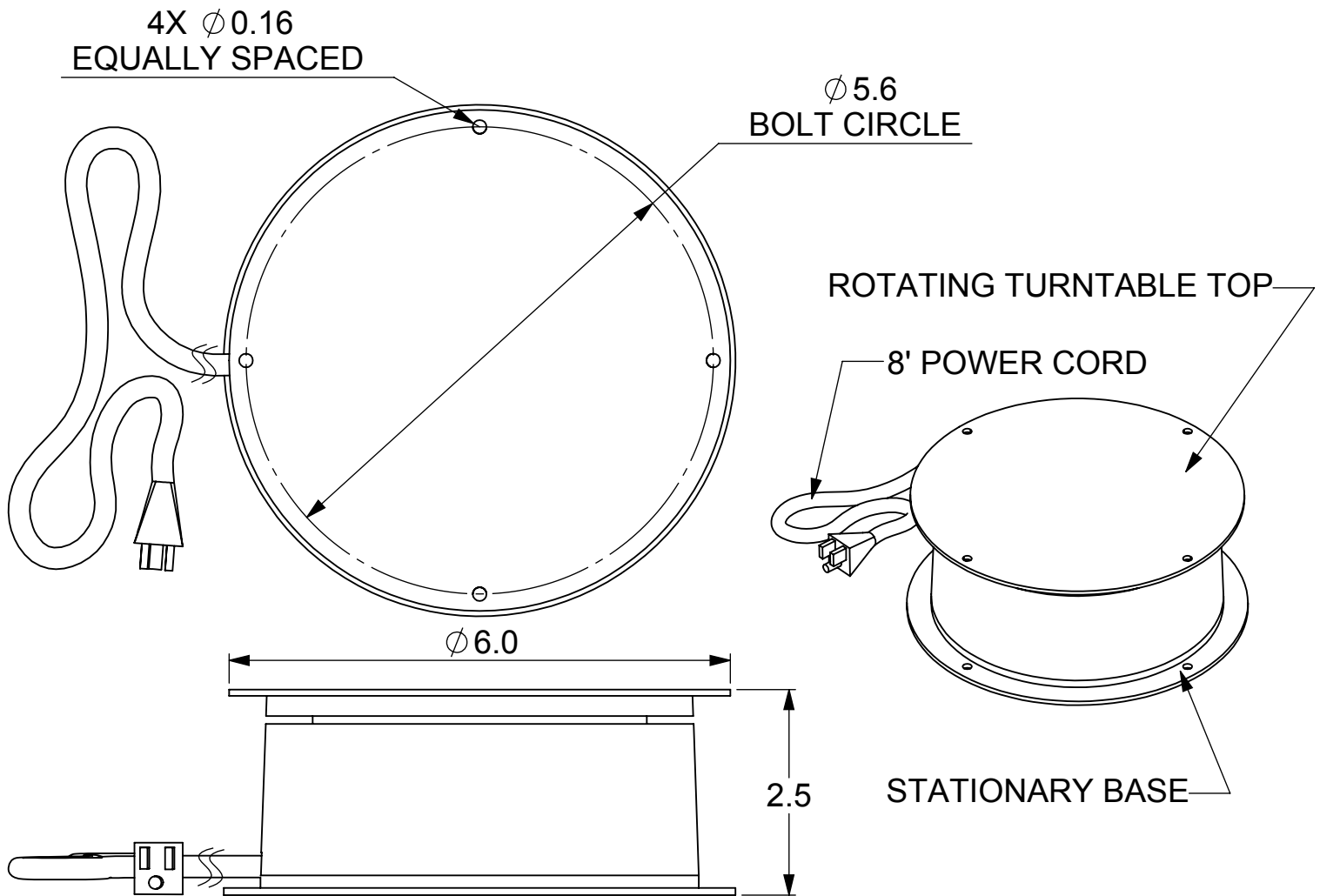


IR-10

(Part # 144116)

The IR-10 is a plug-in version of the battery-powered turntables. Features include an 8 foot power cord and a safety clutch to keep the motor from being broken when the turntable is stopped. Ideal for jewelry, watches, and other small Point of Purchase displays.

WEIGHT CAPACITY.....	10 lbs.
MAX. ALLOWABLE SIZE.....	1' X 1'
HANGING WEIGHT CAPACITY.....	NONE
STANDARD SPEED.....	2 RPM
TORQUE OUTPUT @ 2 RPM.....	2.5 In-lbs
MOTOR DRAW(@115 Volts).....	0.04A (4 watts)
SAFETY CLUTCH.....	Standard feature
MAIN DRIVE.....	Gear Motor
SHIPPING WEIGHT.....	2 lbs



DYNAPAC ROTATING COMPANY, INC.

338 Hansen Ave. • Salt Lake City, Utah 84115-5115

Phone 800-657-2650 • 801-485-2221 • Fax 801-485-2254

email: info@dynapacrotating.com • www.dynapacrotating.com