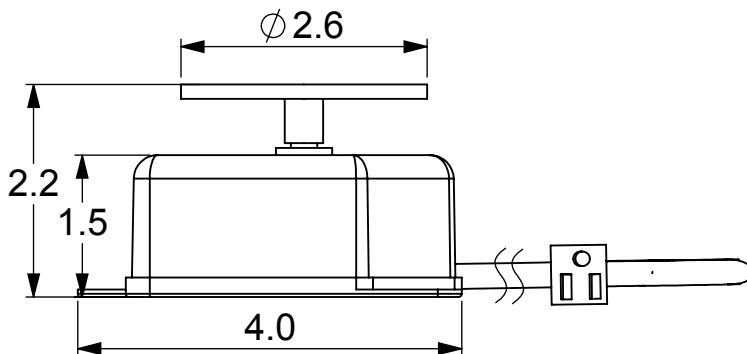
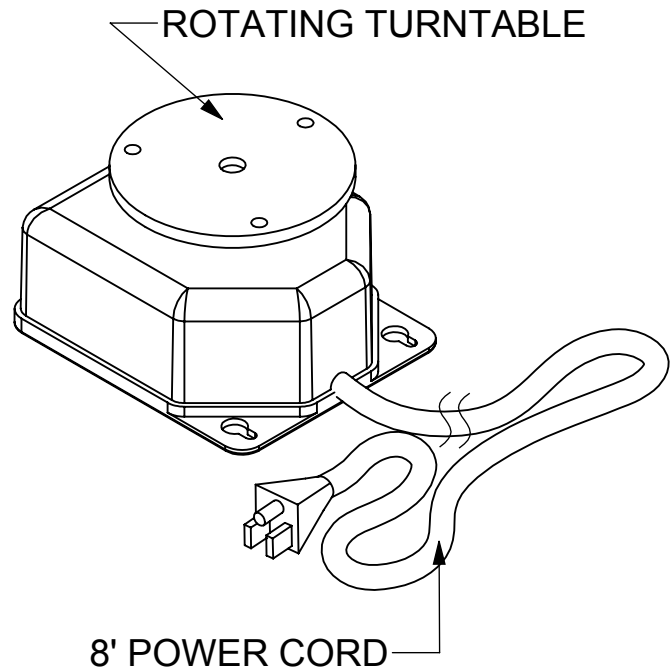
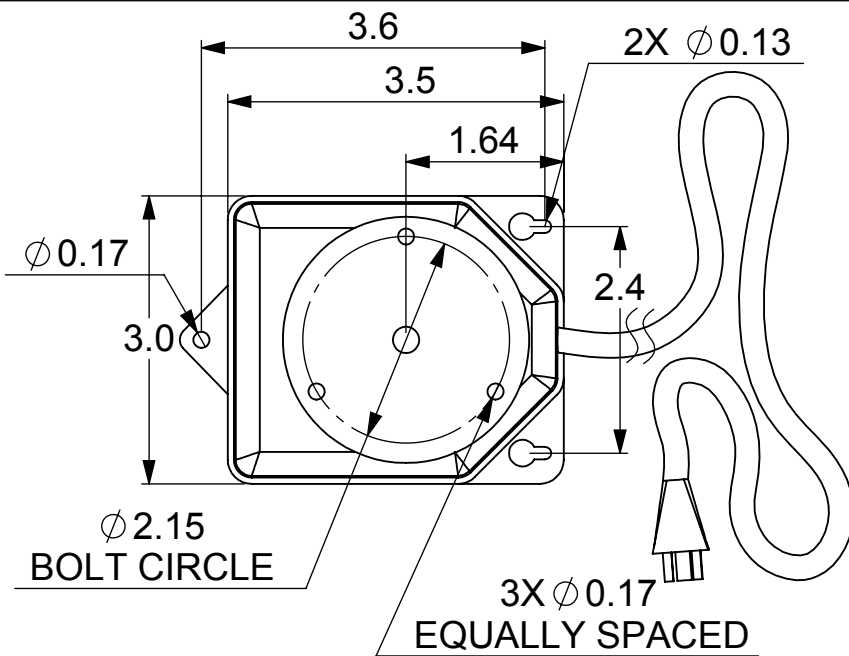


M-2

(Part # 144113)

The smallest frame-style rotator that we offer is the M-2, capable of rotating 2lbs. This small unit features an 8-foot power cord and a safety clutch to prevent damage to the motor when turning motion is obstructed. Ideal for very small Point of Purchase displays.

WEIGHT CAPACITY.....	2 lbs.
MAX. ALLOWABLE SIZE.....	0.5' X 0.5'
HANGING WEIGHT CAPACITY.....	NONE
STANDARD SPEED.....	2.5 RPM
TORQUE OUTPUT @ 2.5 RPM.....	6 In-lbs
MOTOR DRAW(@115 Volts).....	0.04A (4 watts)
SAFETY CLUTCH.....	Standard feature
MAIN DRIVE.....	Gearhead
SHIPPING WEIGHT.....	2 lbs.



DYNAPAC ROTATING COMPANY, INC.

338 Hansen Ave. • Salt Lake City, Utah 84115-5115

Phone 800-657-2650 • 801-485-2221 • Fax 801-485-2254

email: info@dynamacrotating.com • www.dynamacrotating.com