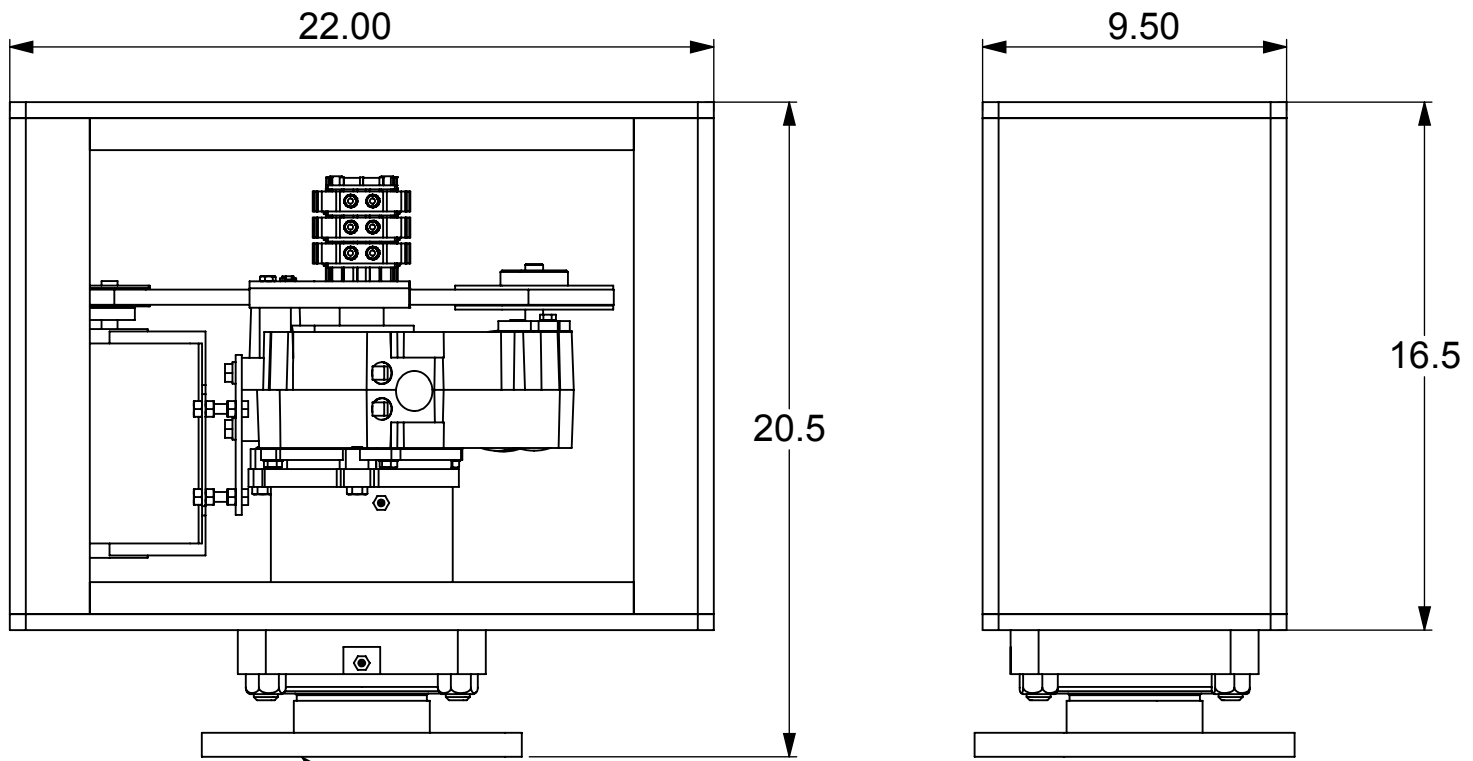


Model K-200

(Part #135004 361)

Please contact our staff for free technical support regarding this product. We will help you properly size and configure your rotator so that it works properly for your specific sign design.

MAX. WEIGHT CAPACITY.....4200 lbs.
MAX. TORQUE CAPACITY.....150 ft. lbs.
MAX. SHEAR LOAD.....4500 lbs.
MAX. BENDING LOAD.....9000 ft. lbs.
AMP LOAD LIMIT*.....15A
(for standard 3 ring collector ring)
MOTOR.....1/4 hp.
MOTOR DRAW.....5.1A
RPM'S AVAILABLE.....2, 3, 4, 6 (standard)
SHIPPING WEIGHT.....200 lbs.



4 HOLES ON ϕ 8.0" BOLT CIRCLE
 ϕ 13/16" HOLE FOR 3/4" BOLT

*Higher amp loads available upon request.



Dynapac Rotating Company, Inc.

338 Hansen Ave. • Salt Lake City, UT 84115-5115
Phone 800-657-2650 • 801-485-2221 • Fax 801-485-2254
email: info@dynapacrotating.com
www.dynapacrotating.com