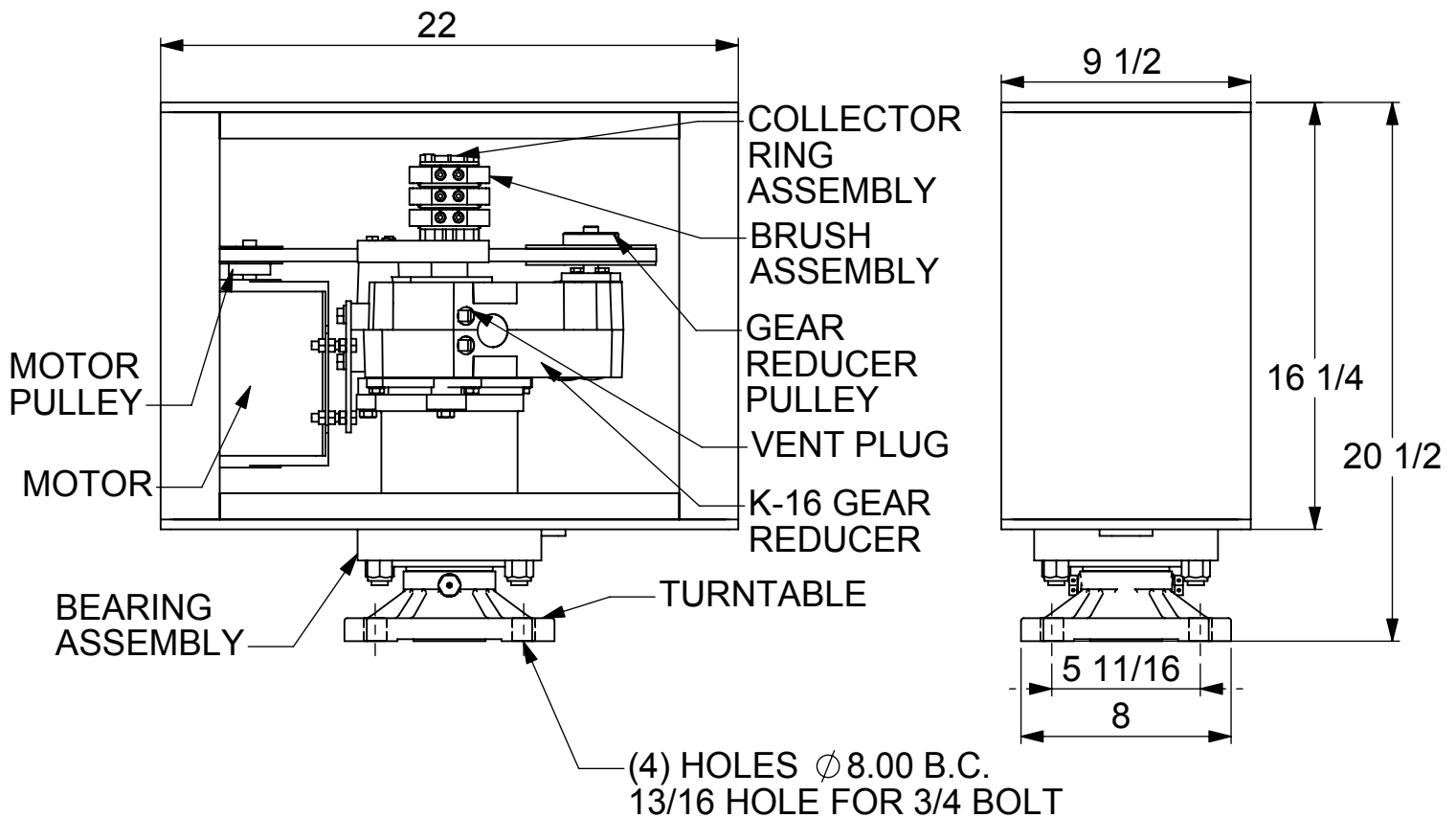


# Model K-100

(Part #135003 361)

Dynapac's K Models are the next step up in power. With 150 ft. lbs. of torque, this series of rotators will reliably turn signs ranging from 36 to 200 sq. ft.

MAX. WEIGHT CAPACITY.....3120 lbs.  
MAX. TORQUE CAPACITY.....150 ft. lbs.  
MAX. SHEAR LOAD.....3840 lbs.  
MAX. BENDING LOAD.....3300 ft. lbs.  
AMP LOAD LIMIT.....15A  
(3 ring collector ring)  
MOTOR.....1/4 hp.  
MOTOR DRAW.....5.1A  
RPM'S AVAILABLE.....2, 3, 4, 6 (standard)  
SHIPPING WEIGHT.....150 lbs.



\*Higher amp loads available upon request.



## Dynapac Rotating Company, Inc.

338 Hansen Ave. • Salt Lake City, UT 84115-5115  
Phone 800-657-2650 • 801-485-2221 • Fax 801-485-2254  
email: [info@dynapacrotating.com](mailto:info@dynapacrotating.com)  
[www.dynapacrotating.com](http://www.dynapacrotating.com)