

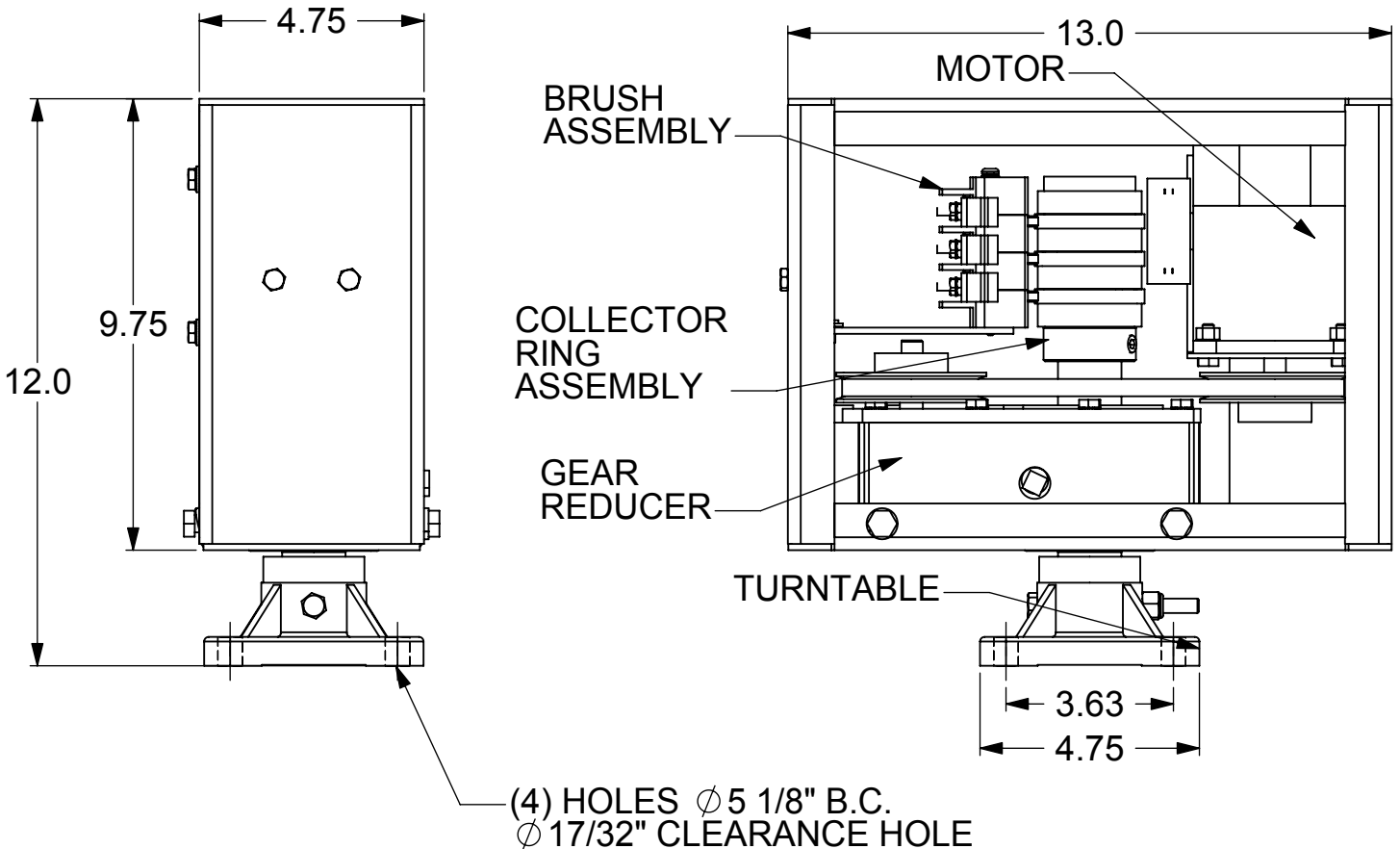
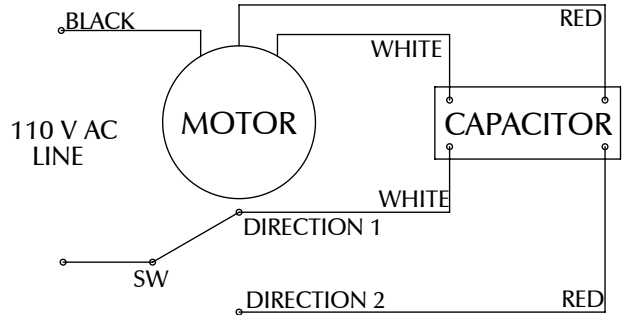
Model H-20

(Part # 134010 321)

Our most popular and durable model. This rotator features a precision Dynapac gearcase providing high torque output in a small space. Maximum display weight is 500 lbs.

WEIGHT CAPACITY.....500 lbs
 MAX. ALLOWABLE SIZE.....Contact Dynapac
 HANGING WEIGHT CAPACITY.....400 lbs
 RPM'S AVAILABLE.....1, 2 (std.), 3, 4, or 6
 TORQUE OUTPUT @ 2 RPM.....192 In-lbs
 MAX. SHEAR LOAD.....480 lbs
 MAX. BENDING LOAD.....1000 ft-lbs
 COLLECTOR RING CAPACITY*.....15A @ 115V
 MOTOR DRAW(@115 Volts)..... 1.1A (127 watts)
 SAFETY CLUTCH.....Standard feature
 MAIN DRIVE.....Gear Reducer
 SHIPPING WEIGHT.....31 lbs

WIRE DIAGRAM



DYNAPAC ROTATING COMPANY, INC.

338 Hansen Ave. • Salt Lake City, Utah 84115-5115

Phone 800-657-2650 • 801-485-2221 • Fax 801-485-2254

email: info@dynapacrotating.com • www.dynapacrotating.com

*Higher amp loads available upon request