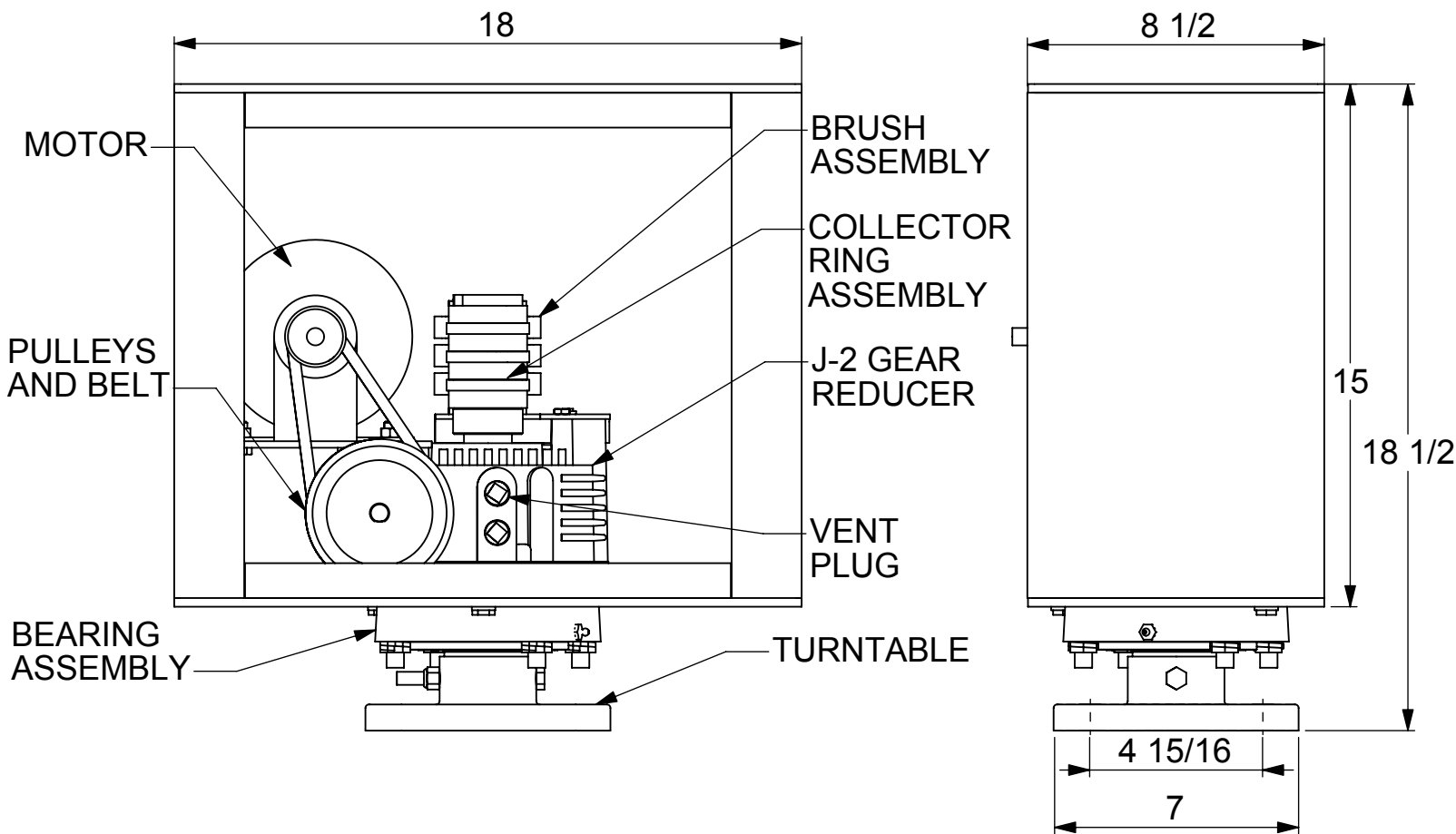


# Model J-36

(Part # 133007 361)

Dynapac's single reduction J Models are the most maintenance-free units of all our rotator series. This workhorse group delivers additional torque where needed on heavier and odd shaped signs up to 80 sq. ft., depending upon how they are mounted.

MAX. WEIGHT CAPACITY.....	720 lbs.
MAX. TORQUE CAPACITY.....	100 ft. lbs.
MAX. SHEAR LOAD.....	1470 lbs.
MAX. BENDING LOAD.....	1200 ft. lbs.
AMP LOAD LIMIT* .....	15A
	(3 ring collector ring)
MOTOR.....	1/4 hp.
MOTOR DRAW.....	5.1A
RPM'S AVAILABLE.....	4, 5, or 6(standard)
SHIPPING WEIGHT.....	99 lbs.



\*Higher amp loads available upon request.



## Dynapac Rotating Company, Inc.

338 Hansen Ave. • Salt Lake City, UT 84115-5115  
 Phone 800-657-2650 • 801-485-2221 • Fax 801-485-2254  
 email: [info@dynapacrotating.com](mailto:info@dynapacrotating.com)  
[www.dynapacrotating.com](http://www.dynapacrotating.com)