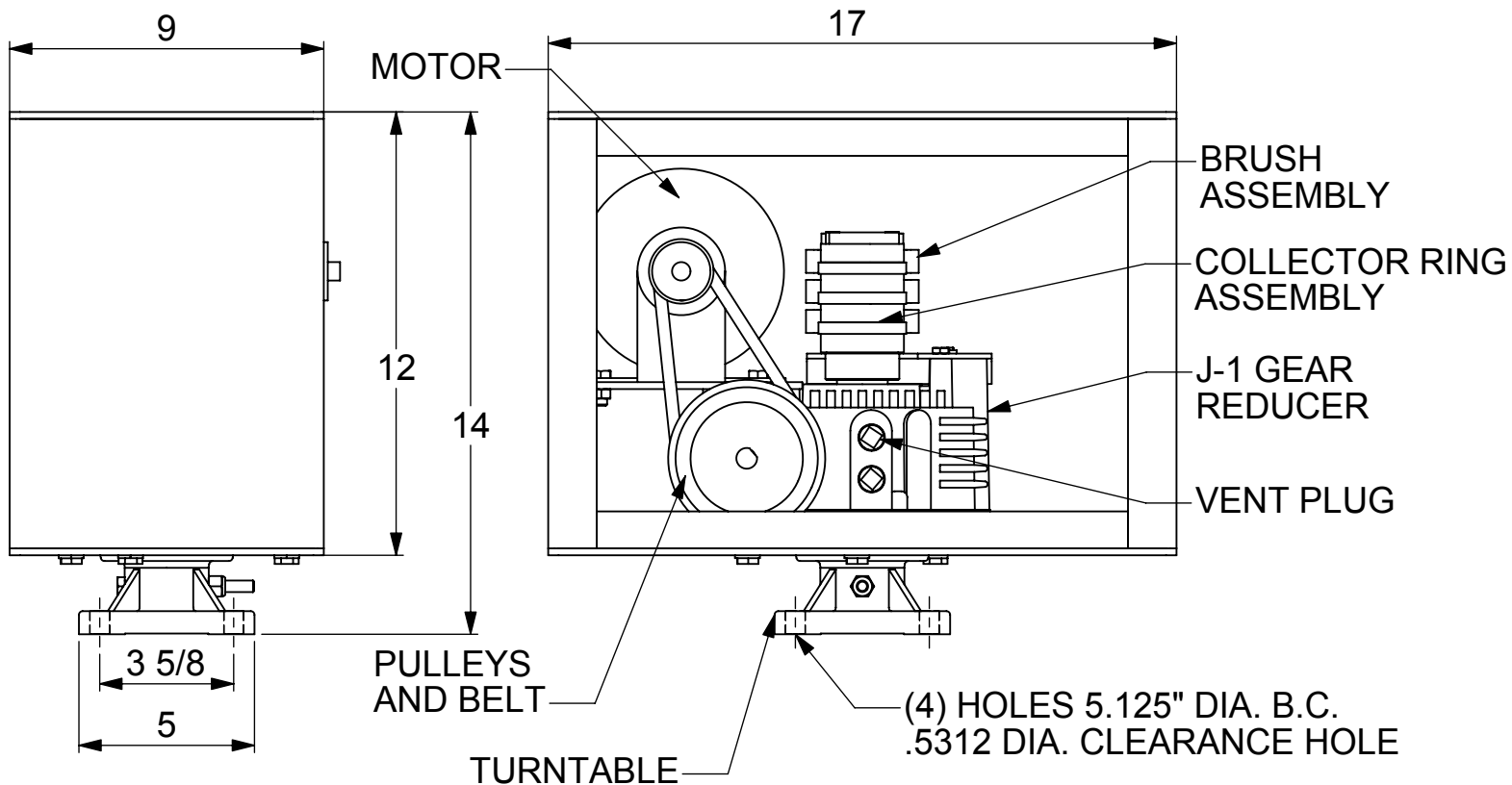


Model J-25

(Part # 133005 361)

Dynapac's single reduction J Models are the most maintenance-free of all our rotator series. This workhorse group gives additional torque where needed on heavier and odd-shaped signs up to 80 sq. ft., depending on how they are mounted.

WEIGHT CAPACITY.....	500 lbs.
HANGING WEIGHT CAPACITY.....	500 lbs.
TORQUE CAPACITY.....	100 ft. lbs.
SHEAR LOAD.....	1080 lbs.
BENDING LOAD.....	1000 ft. lbs.
RPM'S AVAILABLE.....	4, 5, 6 (standard)
AMP LOAD LIMIT.....	15A at 115V
	(3 ring collector ring)
MOTOR.....	1/4 hp.
MOTOR DRAW.....	5.1A
SHIPPING WEIGHT.....	67 lbs.



Dynapac Rotating Company, Inc.

338 Hansen Ave. • Salt Lake City, UT 84115-5115
 Phone 800-657-2650 • 801-485-2221 • Fax 801-485-2254
 email: info@dynapacrotating.com
www.dynapacrotating.com